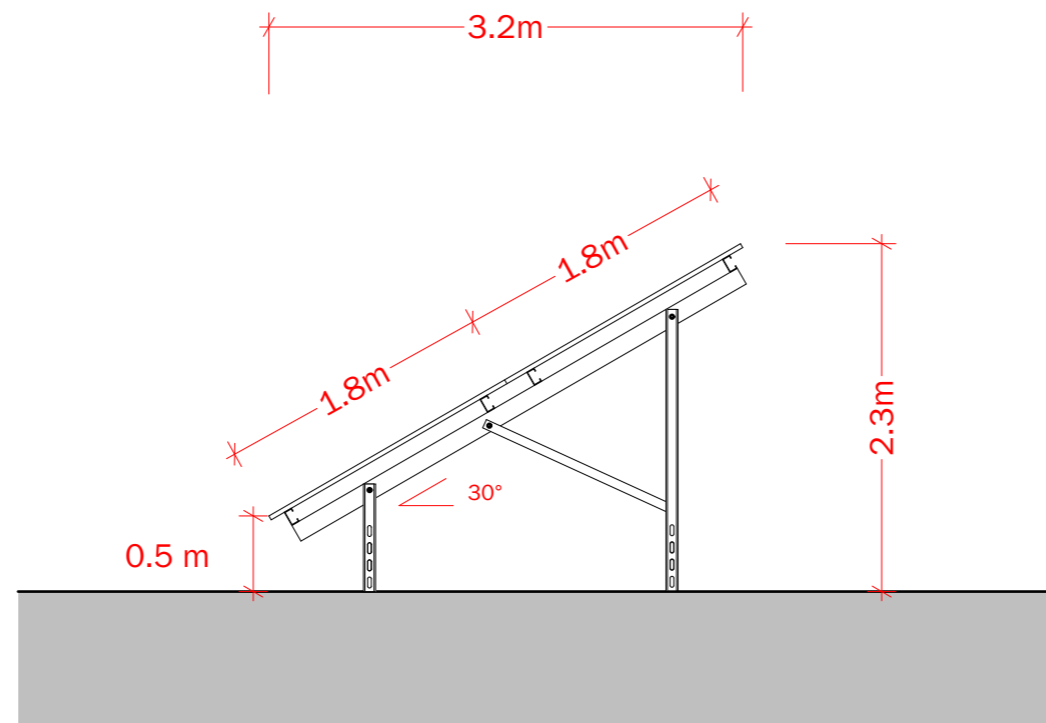
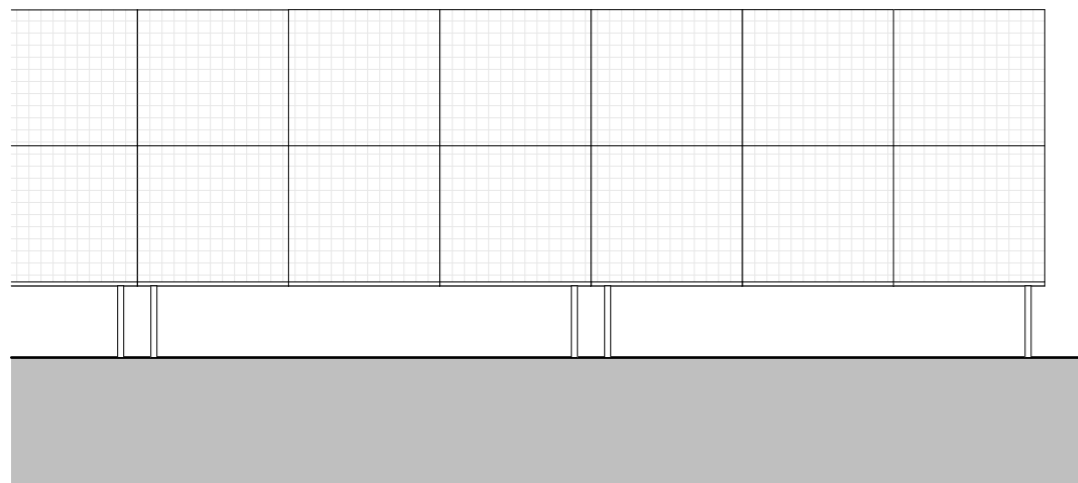


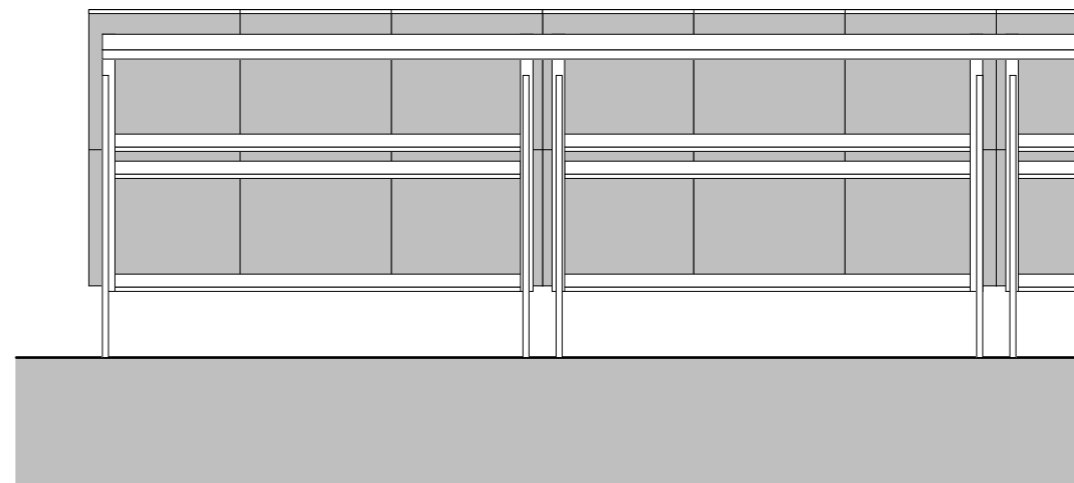
Issue Status			
Planning			
This drawing is copyright. Only figured dimensions to be worked to.			
Revision	Drawn	Check	Date



Side Elevation

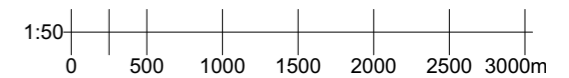
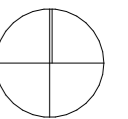


Front Elevation



Rear Elevation

N



client		
A G Pearce Ltd		
project		
Proposed Solar Installation Alfred G Pearce Castle Road, Wormegay		
drawing		
Proposed Solar Panel Elevations		
date	scale	@ A3
Nov 22	1:50	
drawn	check	
JDA	NDM	

BROWN & CO
ARCHITECTURE + PLANNING
www.brown-co.com

Norwich 01603 629871 Humber 01482 421234
St Neots 01480 213811 Lincoln 01522 457800
Brown & Co Registered Office: The Atrium, St. George's Street, Norwich, Norfolk, NR3 1AB.
Registration no: OC302092. Registered in England & Wales.

22	042910	0004
----	--------	------