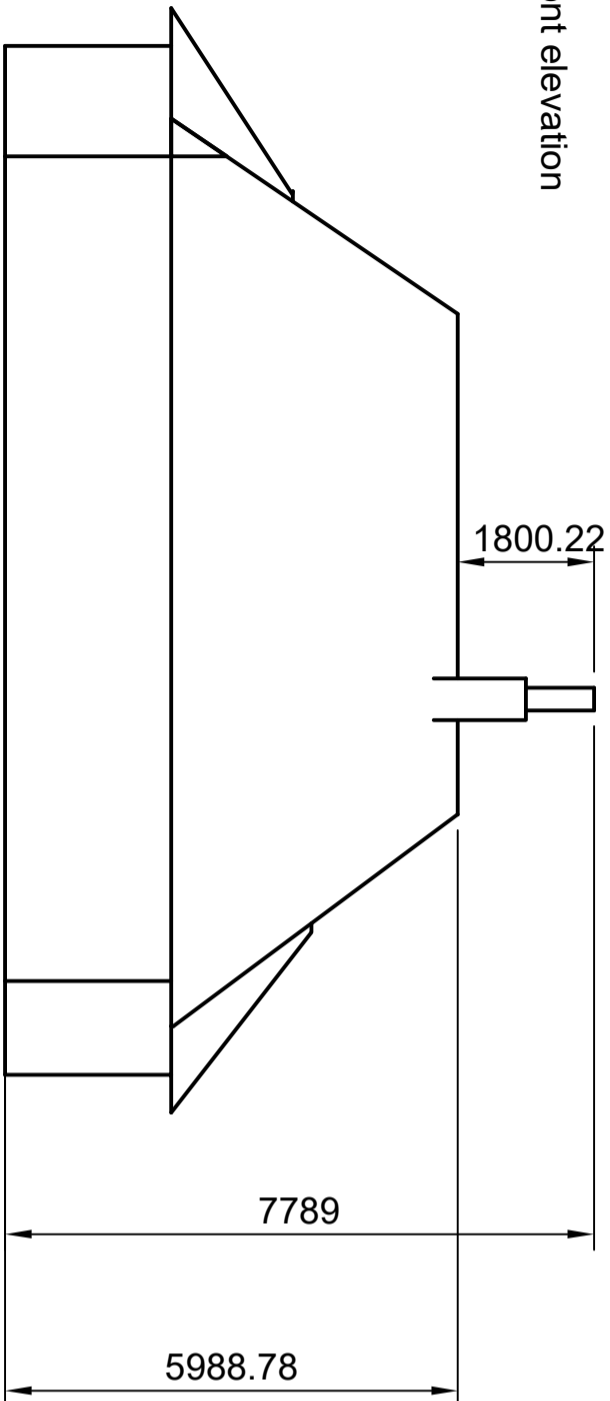
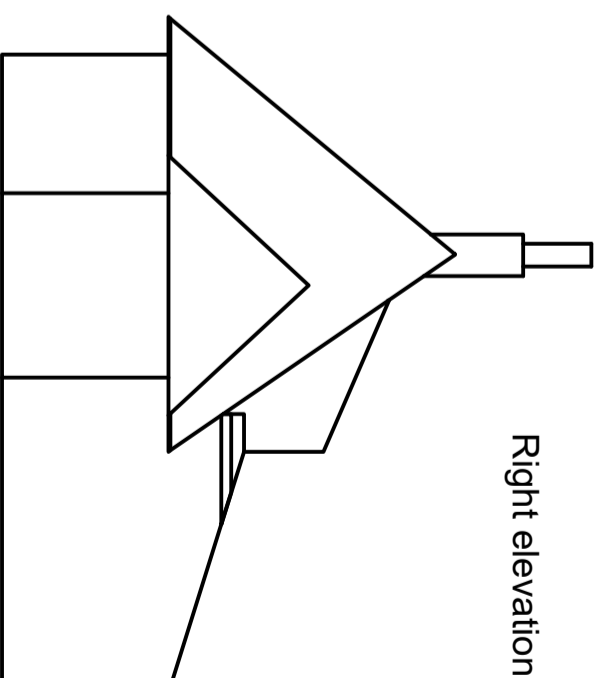


1 2 3 4 5 6 7 8

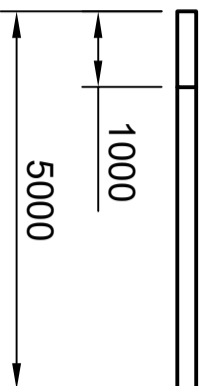
Front elevation



Right elevation

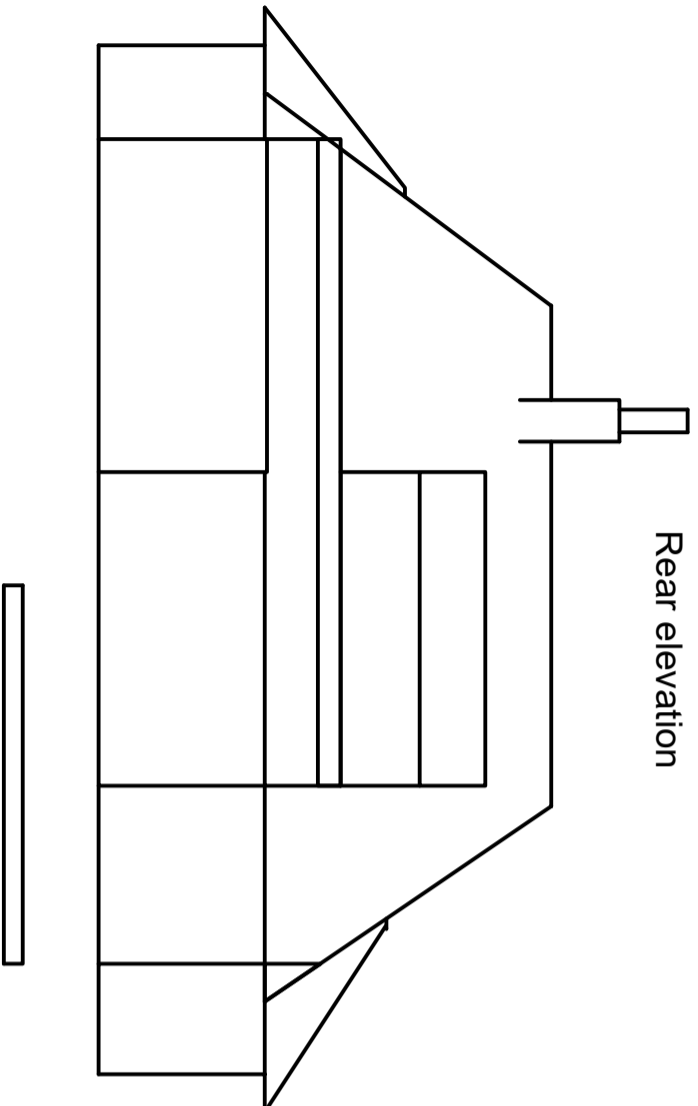


Scale bar

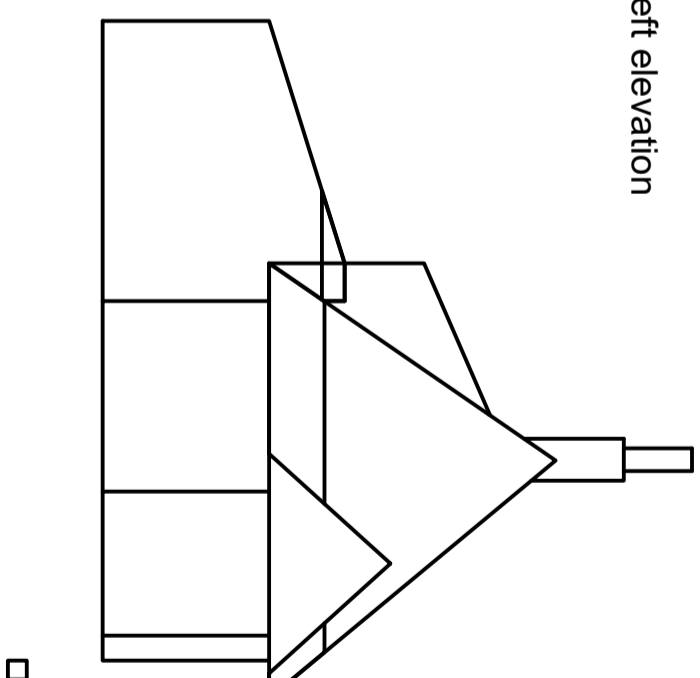


Scale 1:100
All measurements in mm

Rear elevation



Left elevation



F

E

D

C

B

A

F

E

D

C

B

A

1 2 3 4 5 6 7 8