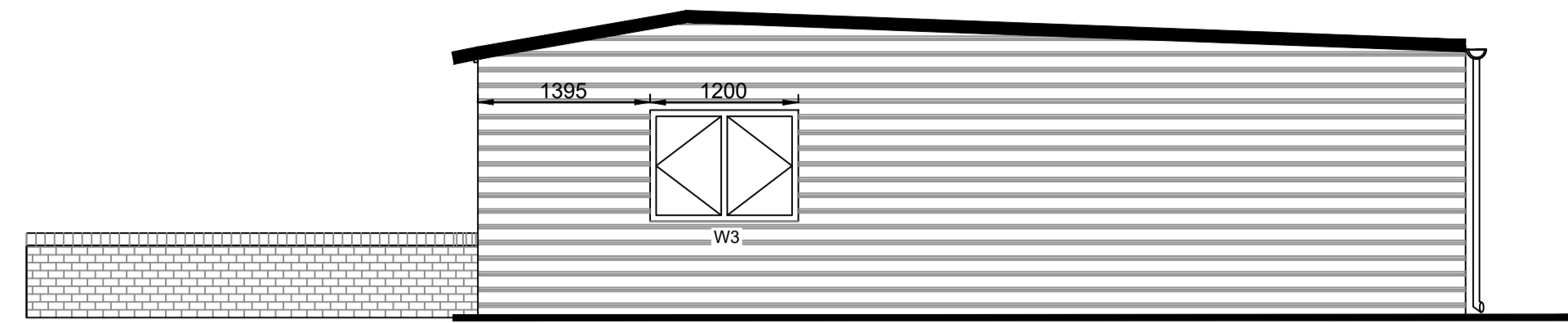
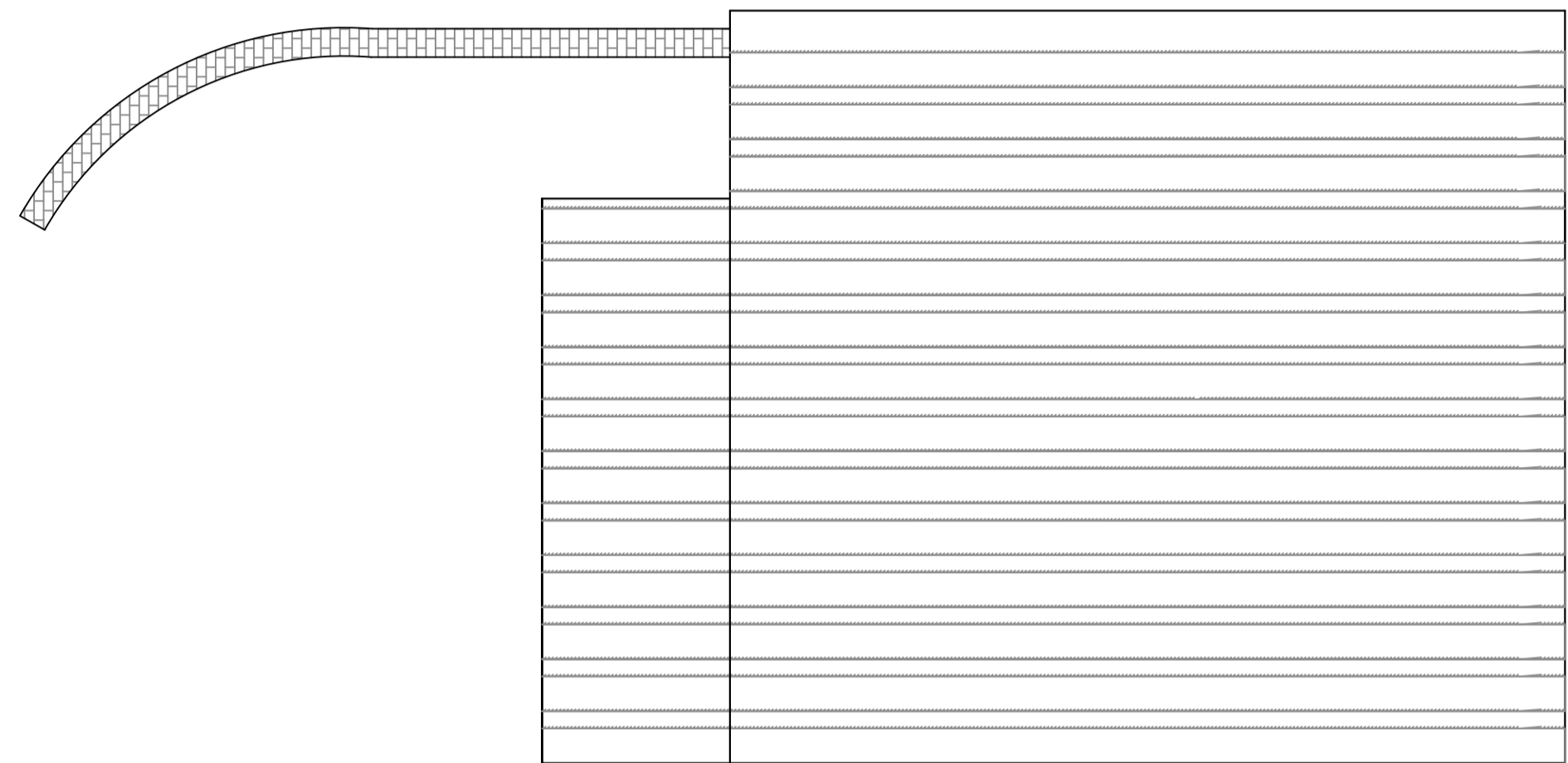


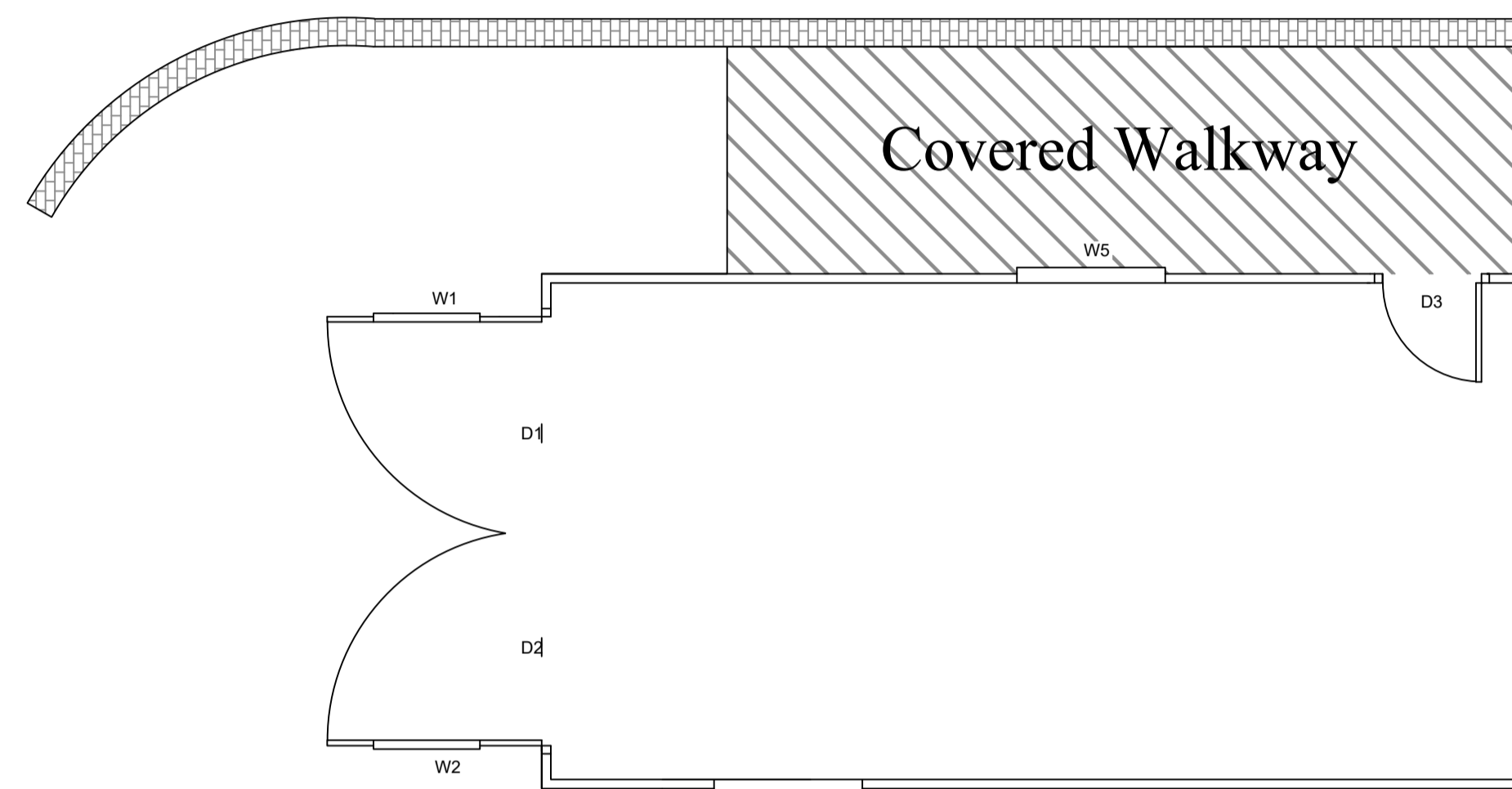
Side Elevation (North)



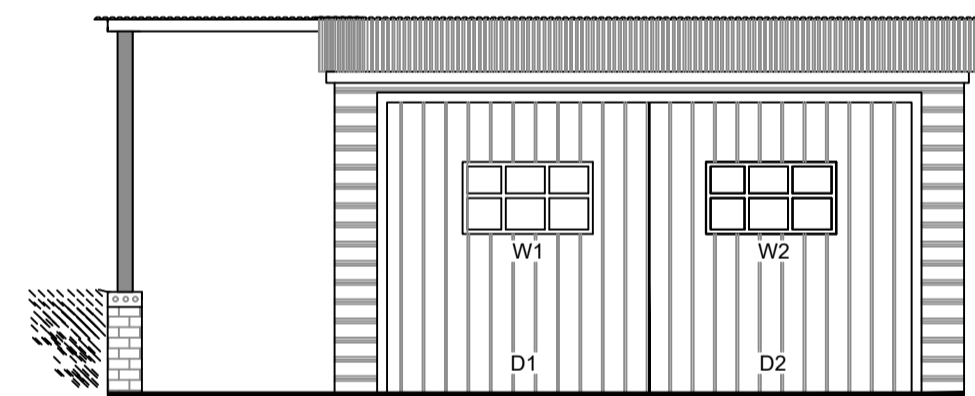
Side Elevation (south)



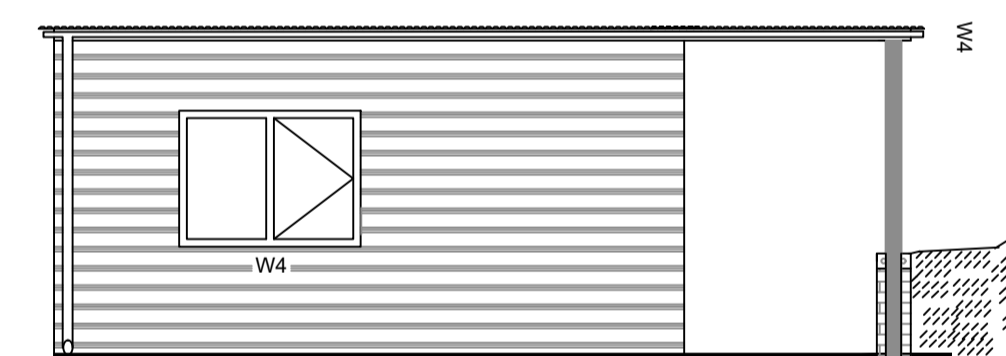
Roof layout



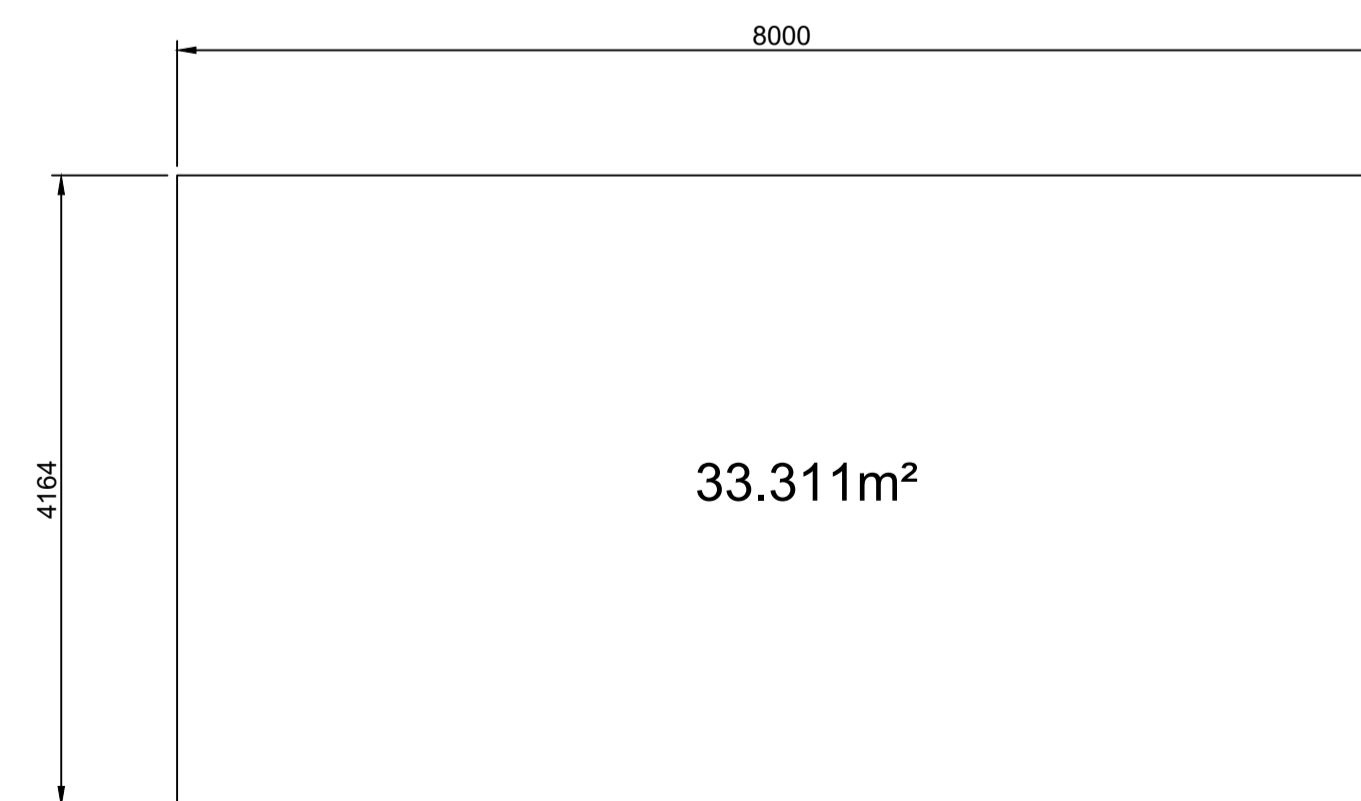
Floorplan



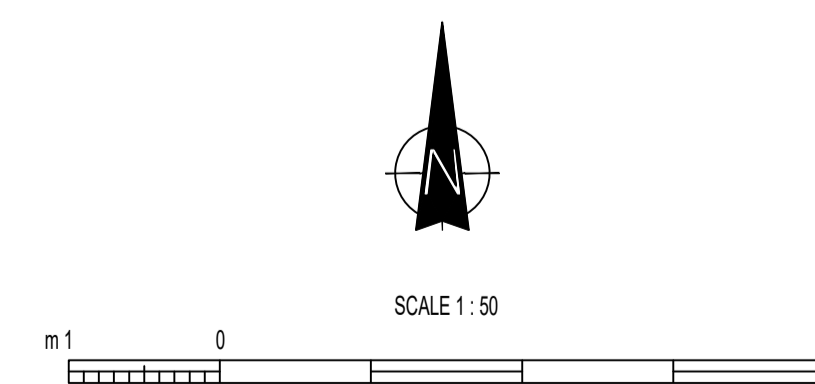
Front Elevation (West)



Back Elevation (East)



Structure footprint



Construction Notes

Floorslab	150mm reinforced concrete Powerfloat finish.
Retaining wall	725mm High ,350mm thickness, consisting 100mm blockwork,150mm concrete filled cavity 100mm blue class B engineering brick.
Superstructure	Timber frame
Roof structure	Timber
Roof coverings	Metal cladding
Walls external	Timber Cladding
Windows/side door	UPVC
Garage doors	Timber

Outbuildings/Garage
Little Garth
Aberhafesp
Newtown
SY16 3LN

Drawn	26th Nov 2022
	Rev A - Dec 2022
Scale	1 :50 @ A1