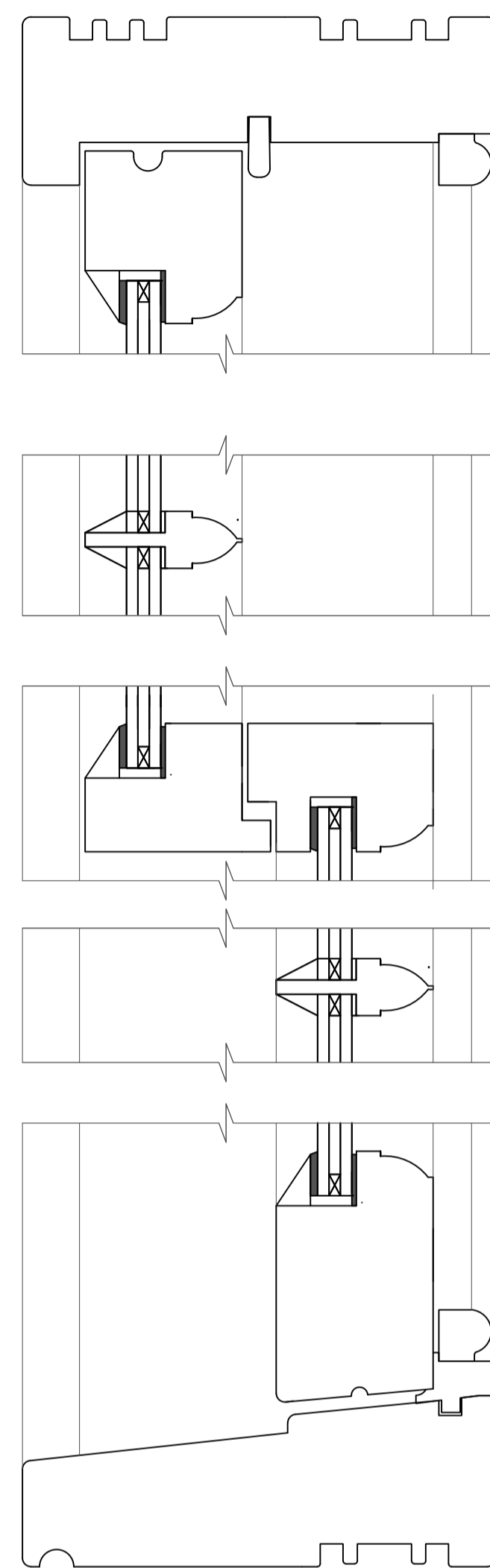
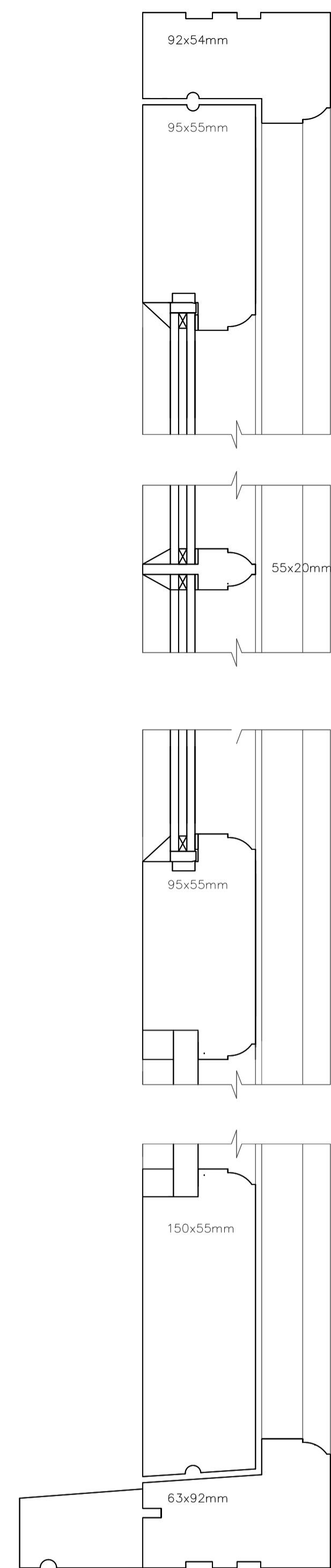


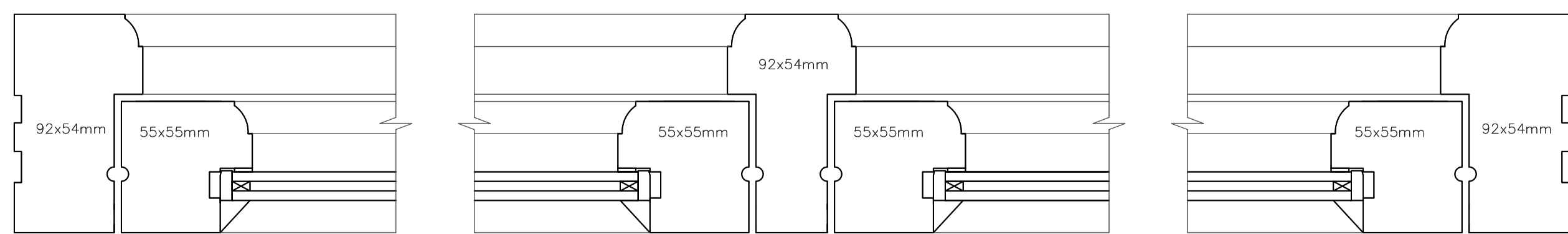
Vertical Section  
Casement Windows  
1:2



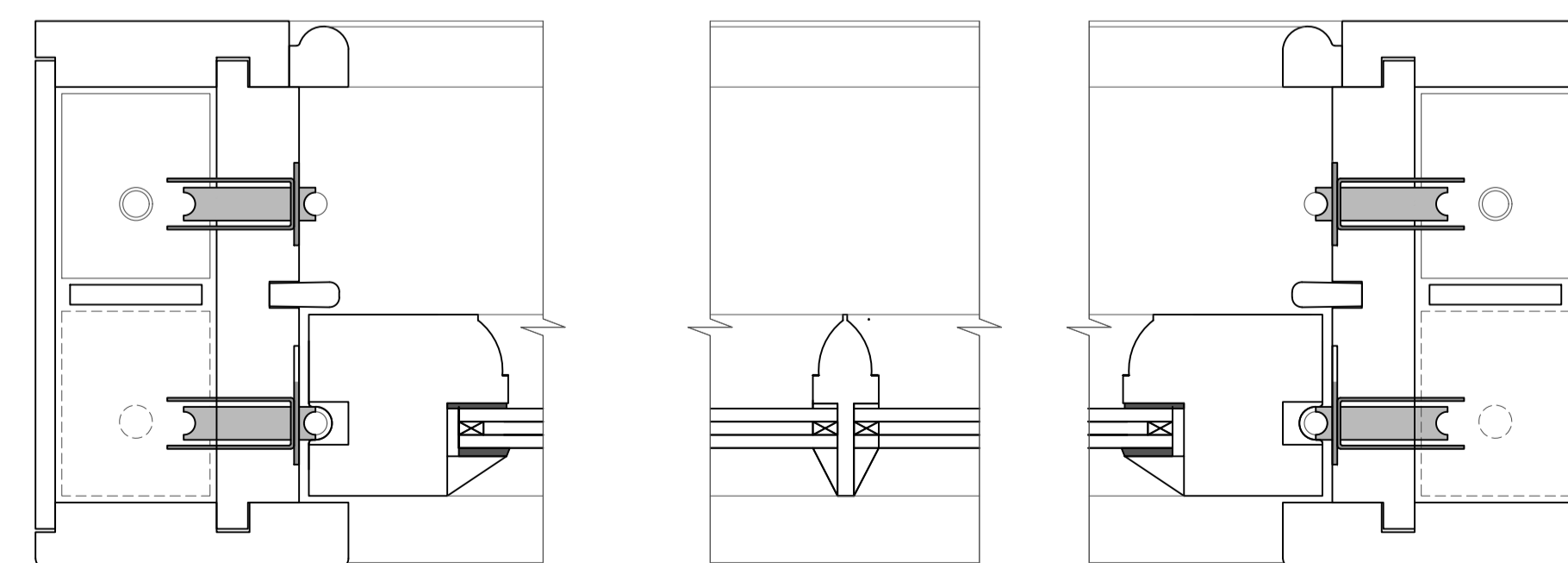
Vertical Section  
Sliding sash  
1:2



Vertical Section  
French Doors  
1:2



Horizontal Section  
Casement Windows  
1:2



Horizontal Section  
Sliding sash  
1:2

Note

All new windows to be purpose made timber windows with painted finish and incorporating slim-profile double glazing (4:4:4)

CLIENT	MRS N BURNS	
LOCATION	MILL HOUSE, BADLEY, IPSWICH SUFFOLK IP6 8 RR	
JOB DESCRIPTION	REPLACEMENT WINDOWS & DOORS & RENDER	
TITLE	JOINERY	
DATE	OCTOBER 2022	DRAWING NO.
SCALE	1:2 @ A1	.05 D
JOB	TIM MOLL ARCHITECTURE SUITE 10 9 STATION YARD NEEDHAM MARKET SUFFOLK IP6 8AS T. 01449 708510 M. 07818087280 E. tim@timmoll.com	
<b>1538</b>		