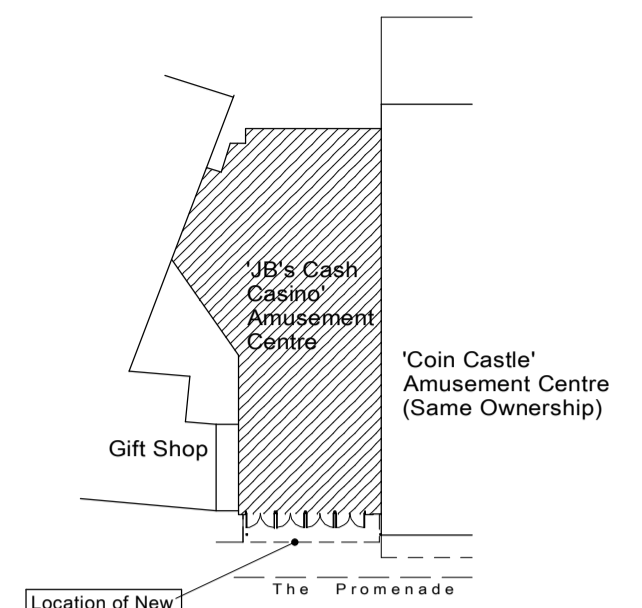
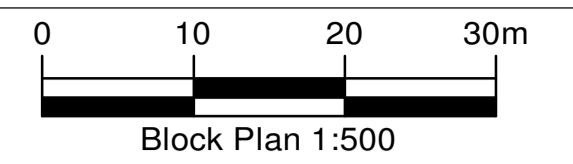


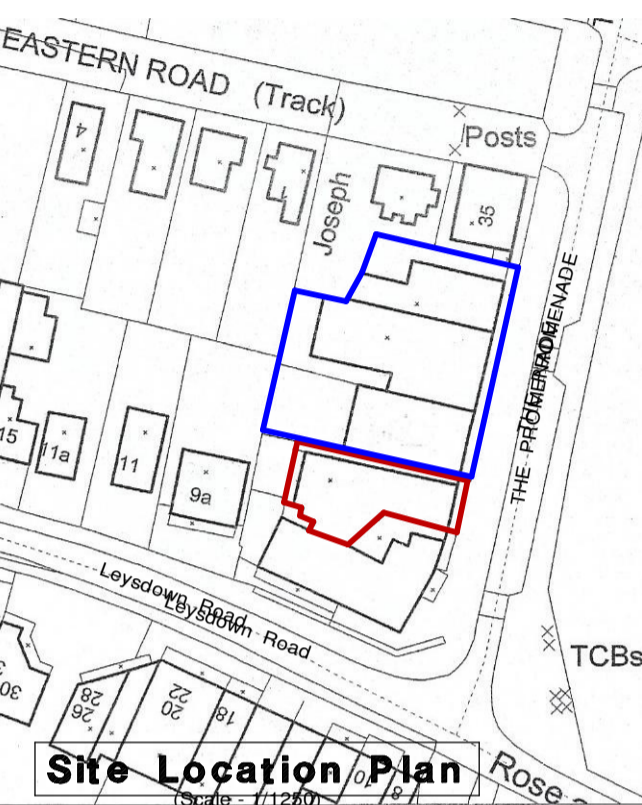
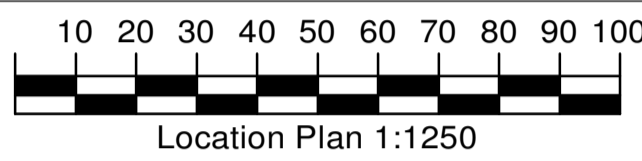
**Existing Front (East/The Promenade) Elevation**



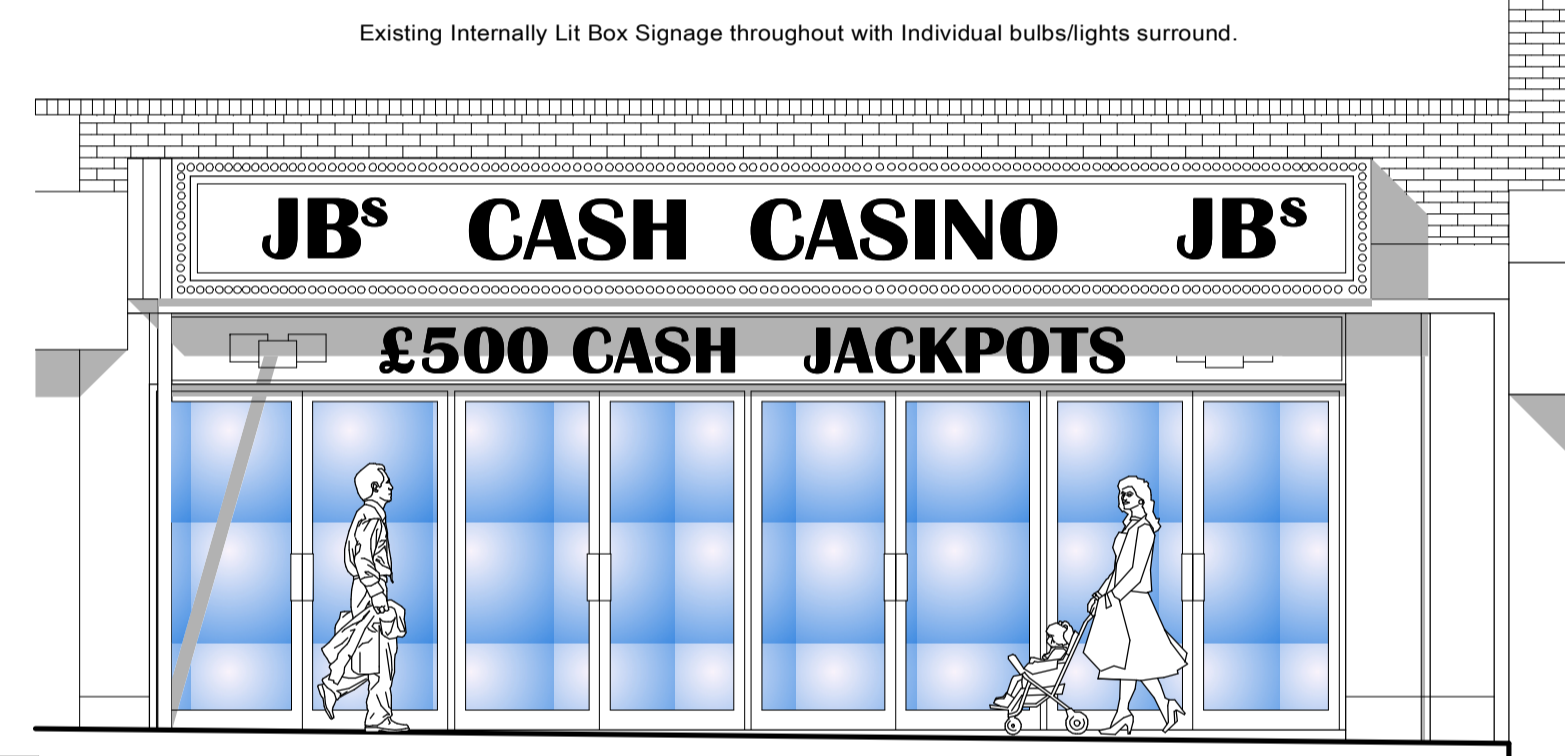
**Example of Proposed Fascia Signage**



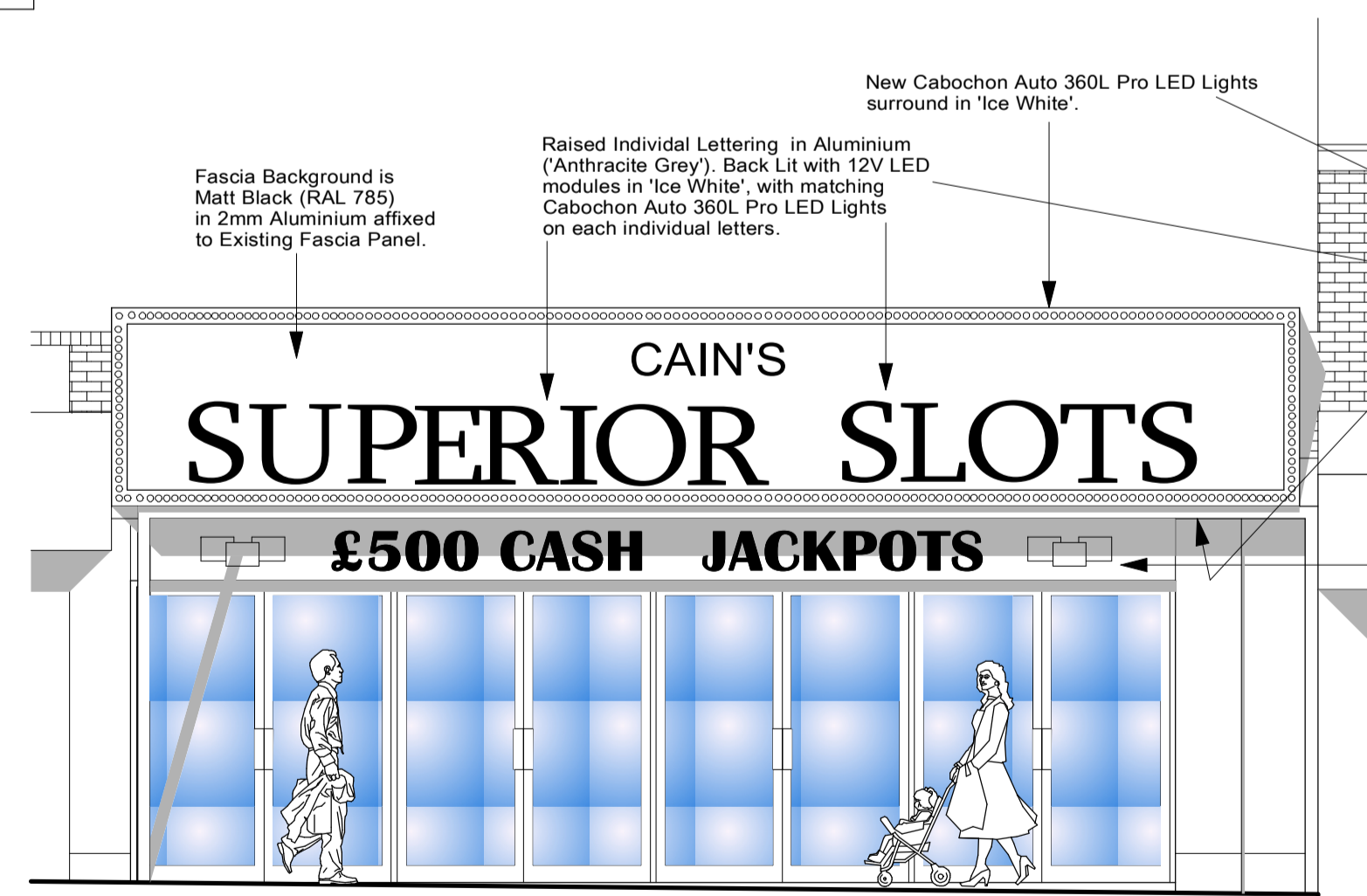
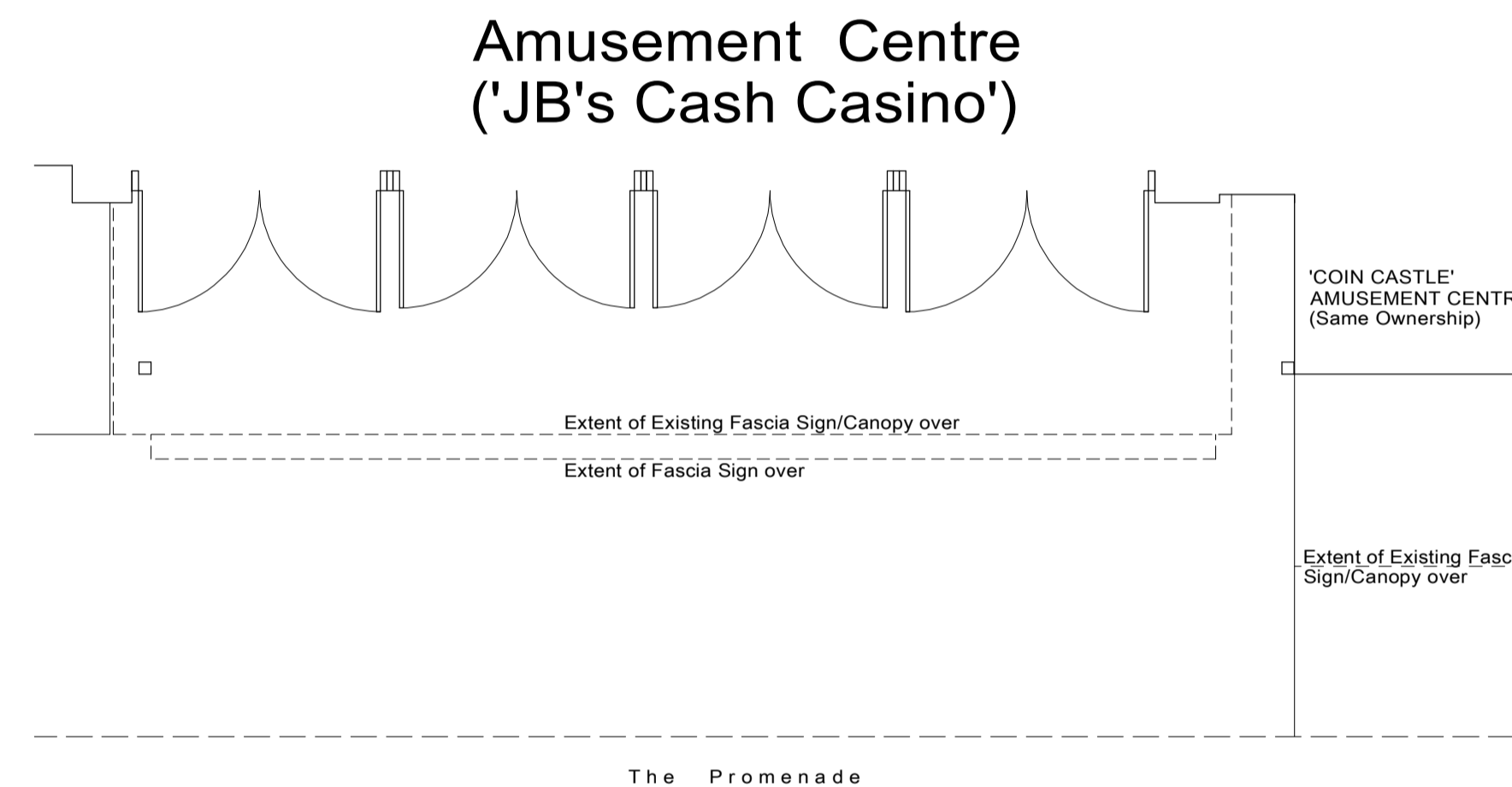
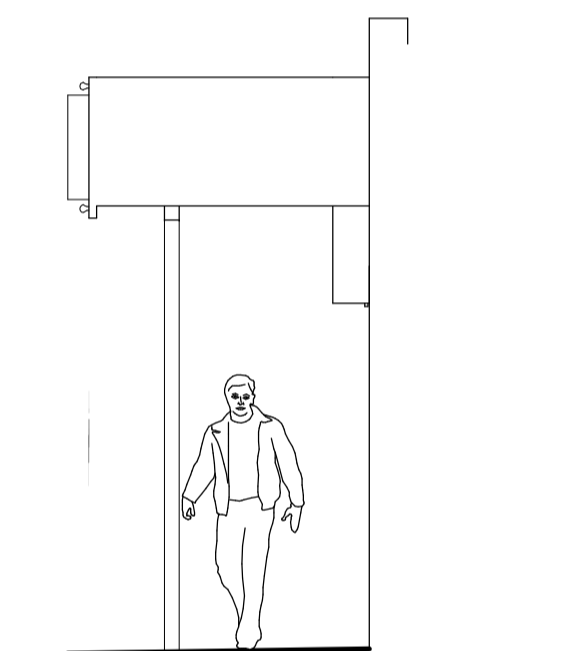
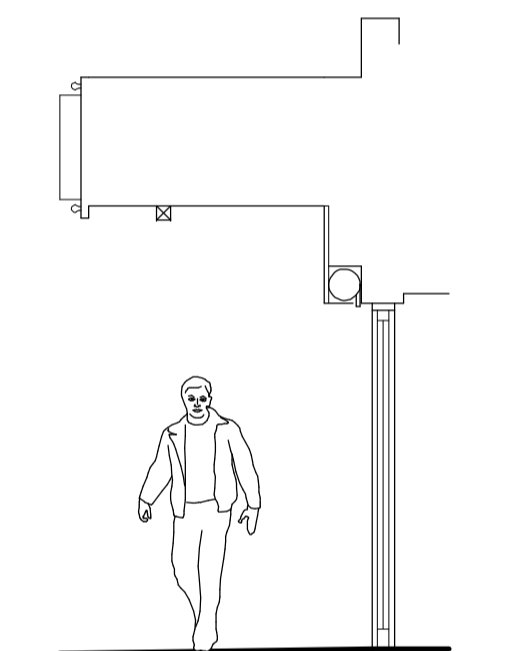
**Block Plan**



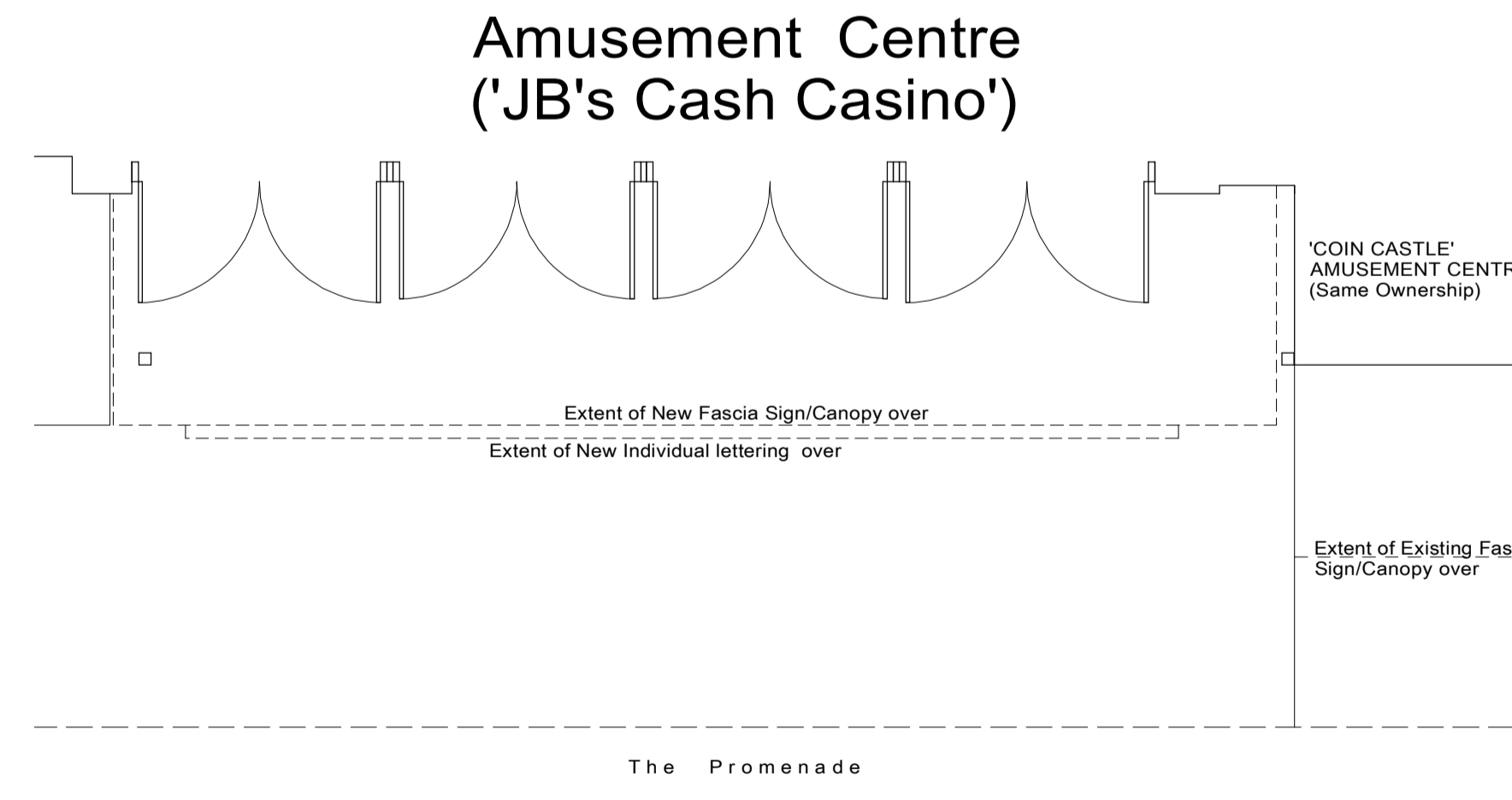
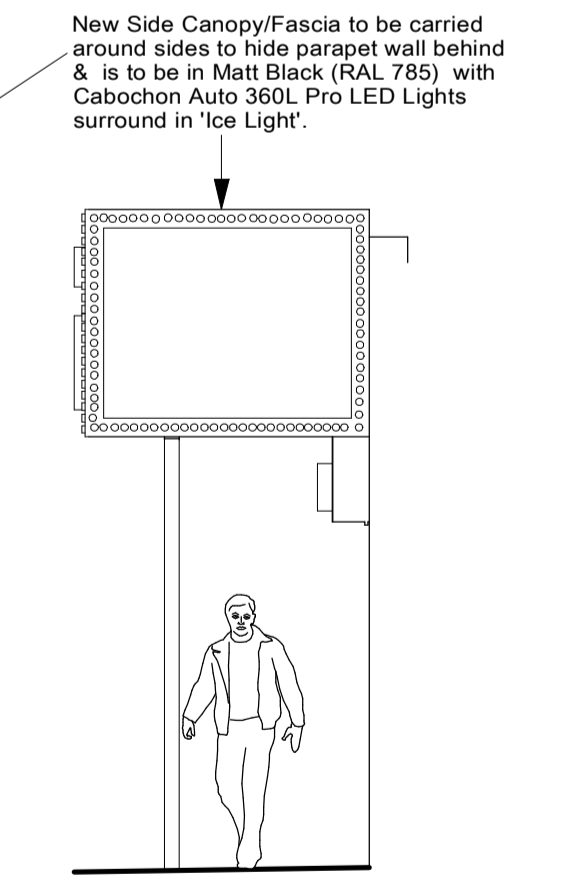
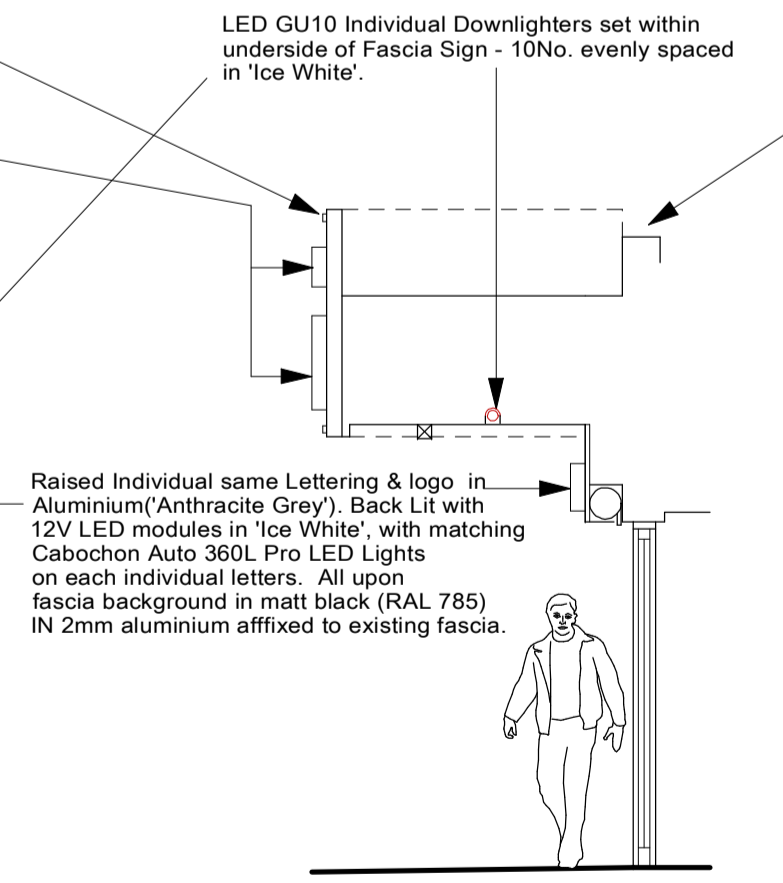
A		Date	Revisions
© Copyright			
NOTES All dimensions must be checked on site and not scaled from this drawing. Detailed for Planning Application purposes only. Details of materials/construction stated as supplied by Manufacturer/Installer.			



**Existing Side (South) Elevation**  
(Scale 1:50)



**Proposed Side (South) Elevation**  
(Scale 1:50)



Client	Cain's Amusements Ltd.
Job Title	Application for the Replacement of the Illuminated Fascia Signage to an Existing Amusement Centre.  'JB's Cash Casino', 7, The Promenade, Leysdown-on-Sea, Sheppey, Kent ME12 4QB.

**S.I. CHARTERED BUILDING SURVEYORS**  
No.8 JOINTON ROAD  
FOLKESTONE · KENT · CT20 2RG  
TEL: (01303) 240088  
e-mail: stuart@sicbs.co.uk

Scales	1/50, 1/500, 1/1250, (@A1 size).
--------	----------------------------------

Date	Sept '22	Drawn by	GL
------	----------	----------	----

Drg. No.	032122101	Rev.	
----------	-----------	------	--