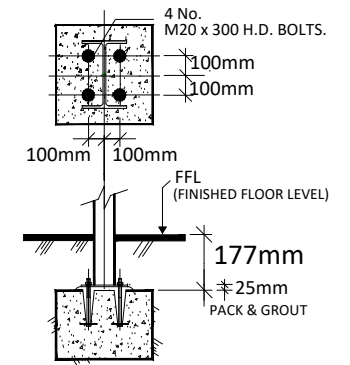


30.480m x 12.192m x 5.182m BUILDING ON 356mm x 171mm x 45kg UB STANCHIONS

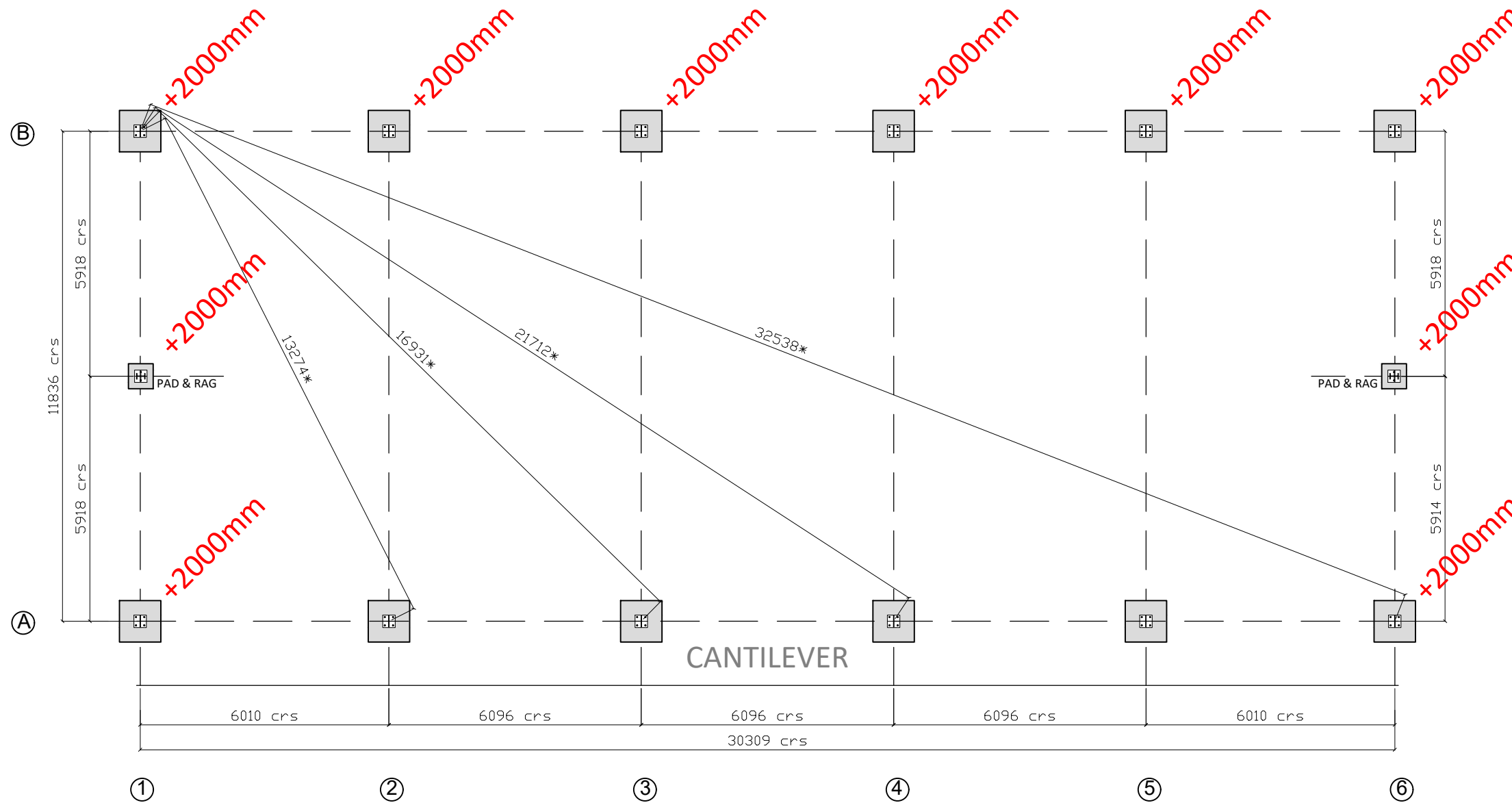
AGRICULTURE FOUND DETAILS

4 BOLT DETAIL



FOUNDATION DETAIL WITHOUT RWP

N.B. FFL IS TO BE LEVEL




NOTE.

FOUNDATION PAD SIZES ARE NOT STATED/SUPPLIED DUE TO VARYING SITE CONDITIONS. PLEASE CONTACT US IF YOU REQUIRE STRUCTURAL ENGINEER DESIGN/CERTIFICATION FOR THE BUILDING.

FOUNDATION DEPTHS ARE ALTERED TO ALLOW FOR BENDS TO RAINWATER DOWNPIPES, PLEASE ENSURE THEY ARE SHOWN IN THE CORRECT REQUIRED POSITION AS THEY CANNOT BE MOVED AT A LATER DATE.

ANY BUILDING WHICH IS ATTACHED TO AN EXISTING SHED, EAVES DETAIL AND HEIGHT, BAY CENTRES AND STEEL SIZES MUST BE MEASURED, AS THIS INFORMATION IS REQUIRED FOR THE MANUFACTURE OF YOUR BUILDING.

DIMENSIONS MARKED * ARE CHECK DIMENSIONS ONLY WITH A 4'6" CANTILEVER TO THIS SIDE

<p>SITE ADDRESS: SILVERDALE SNITTER MORPETH NE65 7EL</p>	<p>CONTACT: MR J BOULTON BAMBURGH</p>	<p>CLIENT: MR J BOULTON BAMBURGH & CRAGSIDE ESTATE THE ESTATE OFFICE CHURCH STREET BAMBURGH NORTHUMBERLAND NE69 7BN</p>	<p>DRWN BY: A GOWAN CHK'D BY: A ROBB</p>	<p>DATE: 23-09-22 DATE: 23-09-22</p>	 <p>Broomhouses 2 Industrial Estate Glasgow Road Lockerbie DG11 2SD Tel: 01576 205 905 Fax: 01576 204 466 Drawing Office: 01606 330 227</p>								
<p>PLEASE NOTE NO ASSUMPTION SHOULD BE MADE IN RESPECT TO ANY CONSTRUCTIONAL DETAILS FROM THIS DRAWING. ALL DIMENSIONS ON THIS DRAWING MUST BE CONSIDERED APPROXIMATE. VARIATIONS MAY OCCUR DURING DETAILING. DRAWING PRODUCED FOR PLANNING PURPOSES ONLY. DO NOT SCALE. IF IN DOUBT ASK</p>			<p>REVISIONS:</p> <table border="1"> <thead> <tr> <th>REV.</th> <th>DATE</th> <th>DESCRIPTION</th> <th>BY</th> </tr> </thead> <tbody> <tr> <td> </td> <td> </td> <td> </td> <td> </td> </tr> </tbody> </table>			REV.	DATE	DESCRIPTION	BY				
REV.	DATE	DESCRIPTION	BY										
			<p>DRG. No. RS22-2687A-6775-01</p>										