

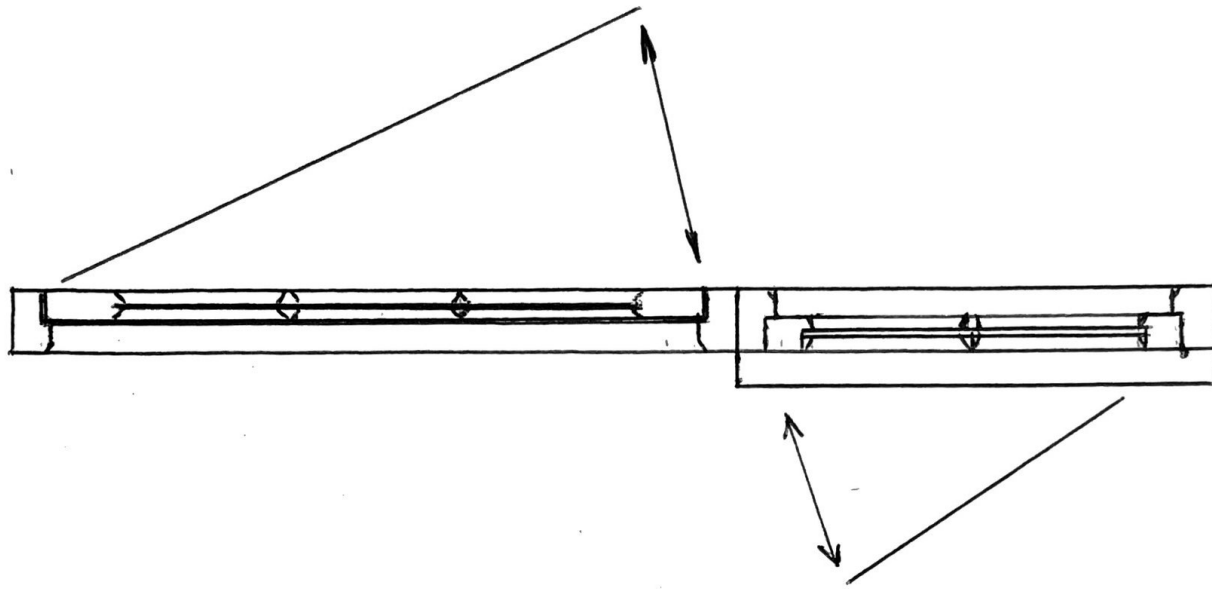
PROPOSED ELEVATION.
 NEW BACK DOOR + SIDE
 WINDOW - 3 ASHWELL
 ROAD, WISSENDINE
 LEISTEN.
 T FOYSTER.
REVISION B

CONSTRUCTION

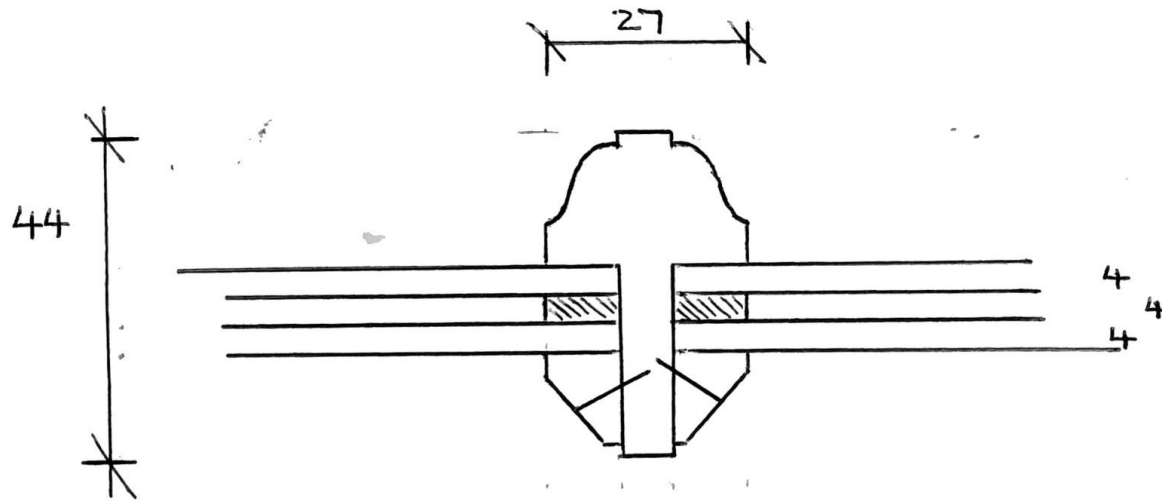
TIMBER - ALCOYA

GLAZING - 4-4-4, TOUGHENED, 'LOW E', HERITAGE
 SLIMLINE SEALED UNITS.

SCALE 1-10

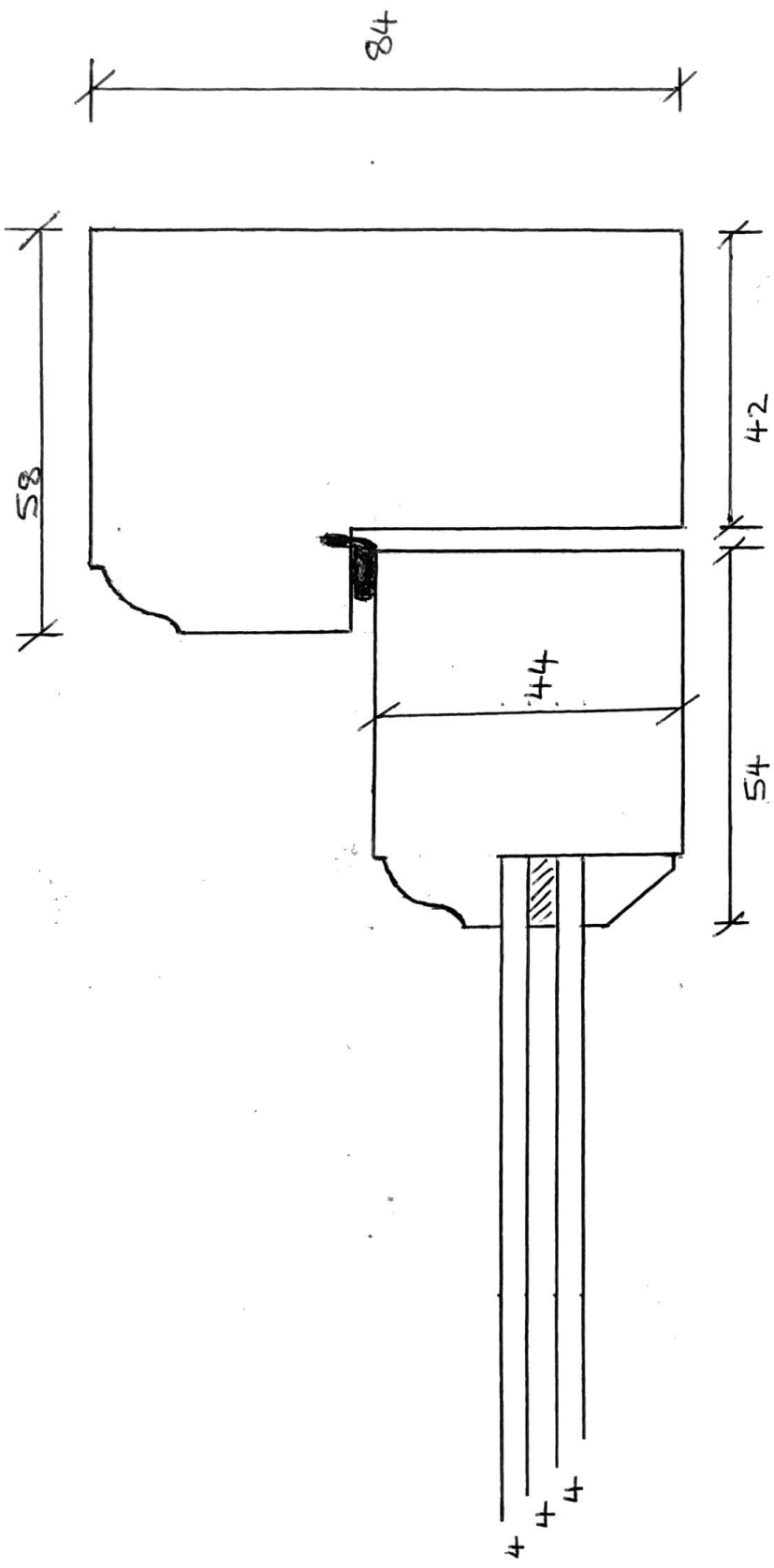


PROPOSED PLAN, NEW
 BACK DOOR + SIDE
 WINDOW - 3 ASHWELL RD
 WISSENDINE, LEIS TEN
 SCALE - 1-10.



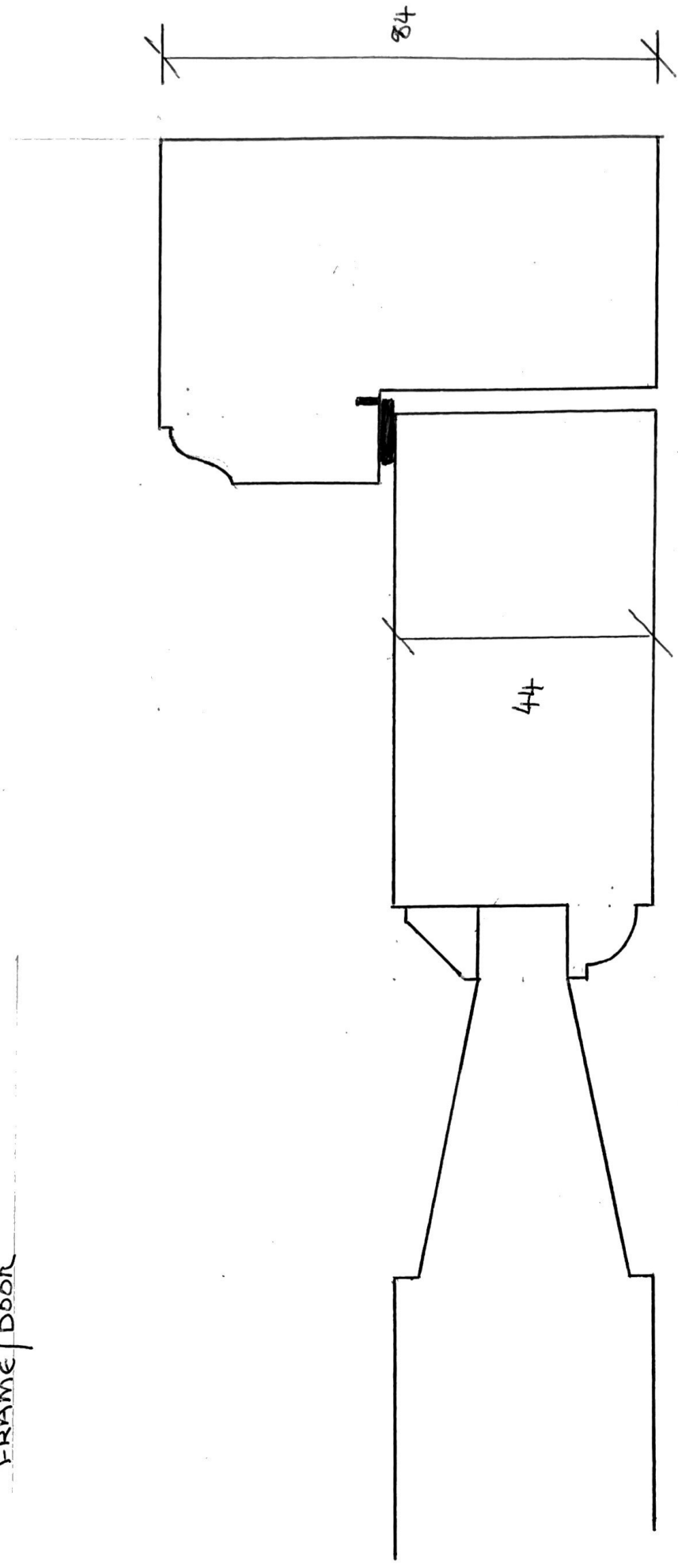
SECTION A-A
 FULL SIZE GLAZING
 BAR SECTION

3 ASHWELL RD WISSENDINE



FULL SIZE SECTION
B-B FRAME + SASH
SECTION.

3 ASHWELL ROAD, WISSENDINE
SECTION C-C
FULL SIZE SECTION
FRAME / DOOR



4/4