

astley.

Delivering creative brand environments
through signage, print and digital solutions

The Co-op logo is displayed in a bold, blue, sans-serif font. The letters 'c' and 'o' are stacked vertically on the left, and 'o' and 'p' are stacked vertically on the right.

Client:
Co-op

Full Address:
Town Foot
Rothbury
Morpeh

FIM:

Amendments

Initial Draft - 22.09.22
Rev A - 16.12.22
Approved - 16.01.23

Site:
Rothbury, Town Foot

Drg by:
MR

Drawing Ref:
G_82432

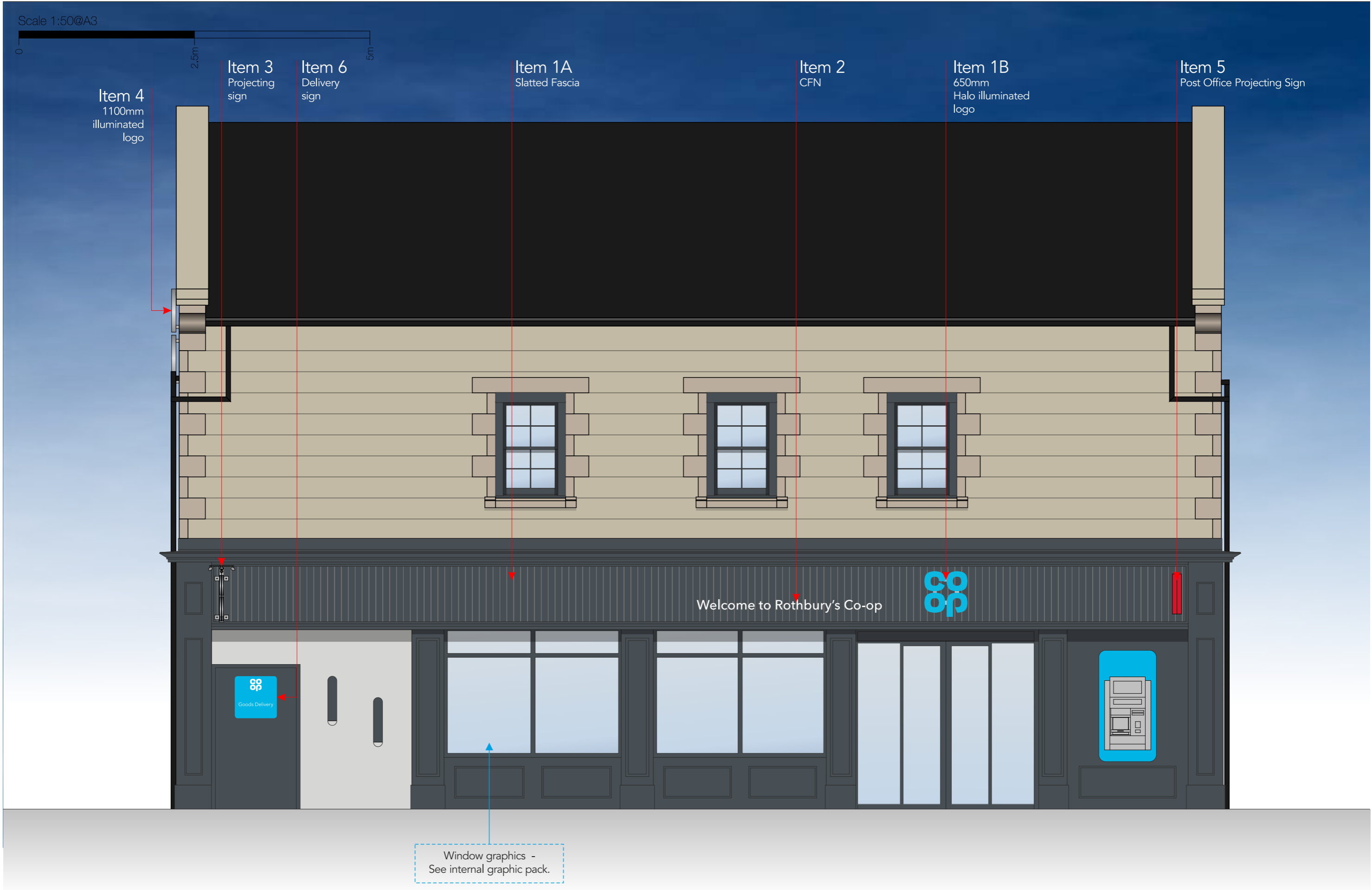
Date:
16.01.23

Visual Status:
FIM Approved

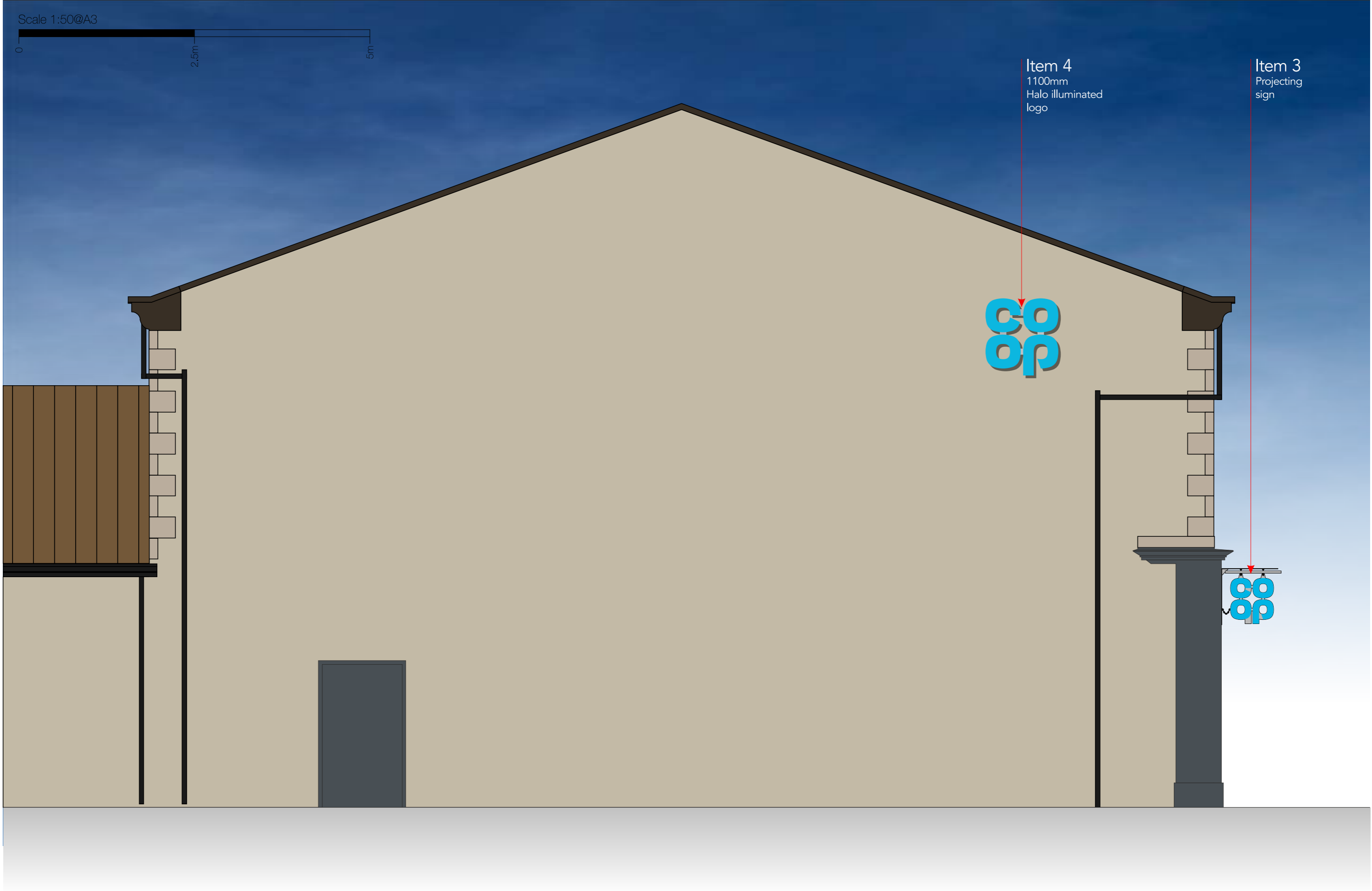
Existing Views



Proposed Front Elevation

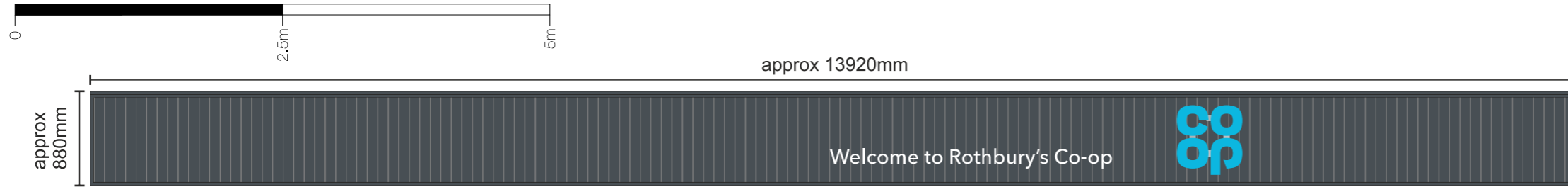


Proposed Side Elevation



Item 1 Specification

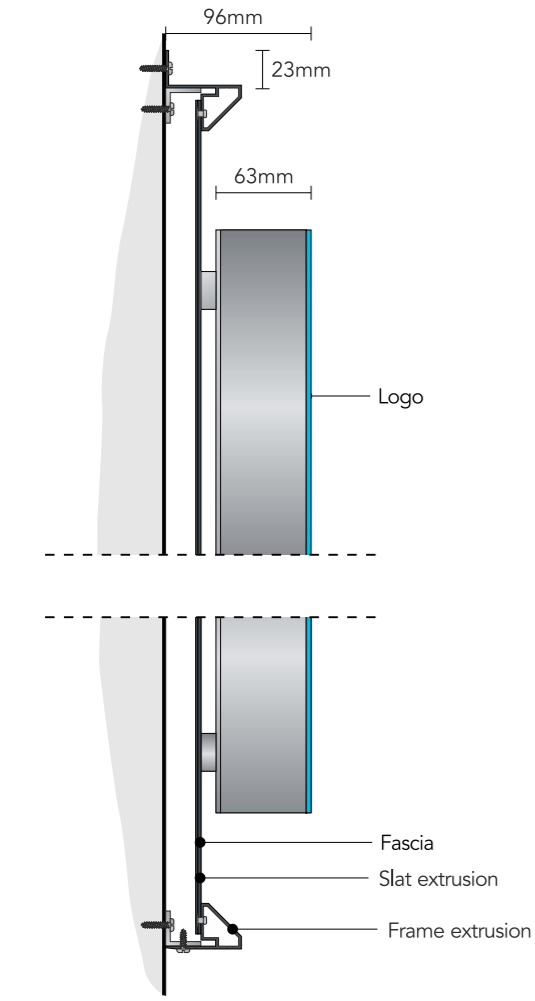
Scale 1:50@A3



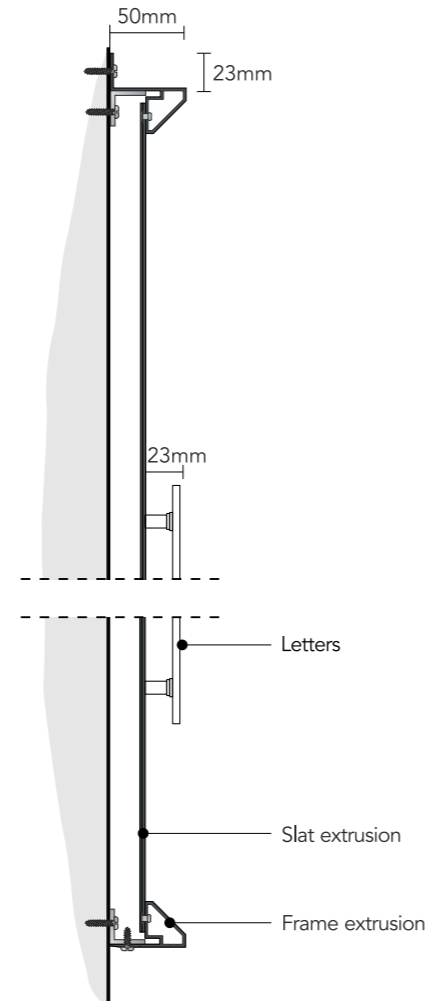
Item 1A - scale 1:50 @ A3

Fascia constructed from individual Aluminium extrusions. Perimeter support extrusion fixed to the building substrate with suitable fixings, Aluminium vertical slats mounted and fixed to the support extrusion and trimmed around the perimeter with a chaffered trim. Slat and trim to be dark grey wood effect.

Height from FFL to underside of sign being: 2870mm



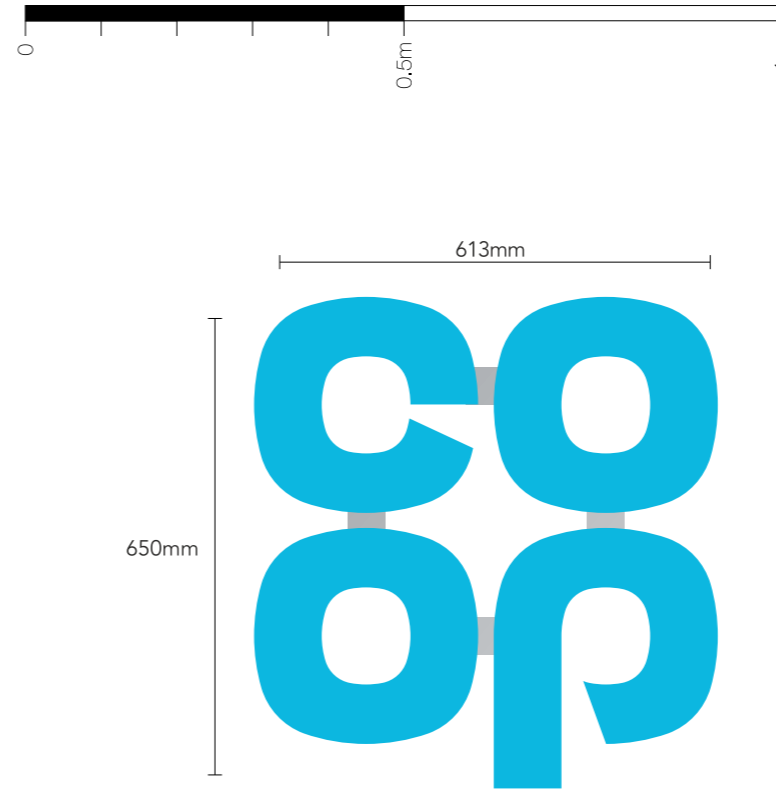
Section through Co-op
scale 1:5 @ A3



Section through letters
scale 1:5 @ A3

NON ILLUMINATED

Scale 1:10@A3



Item 1B - scale 1:10 @ A3

1no Single sided built up logo. Individual built-up letters to be mounted to aluminium mounting plate. Logo to be screw fixed through fascia and into building.

Logo to have blue acrylic faces with aluminium returns. Mounting plate and returns to be finished RAL 9006 Silver (60% Gloss)

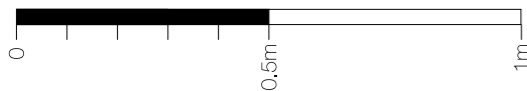
Letters internally illuminated by white LEDs, giving halo illumination.

Illumination level: 300cdm/2

Height from FFL to underside of sign being: 2645mm

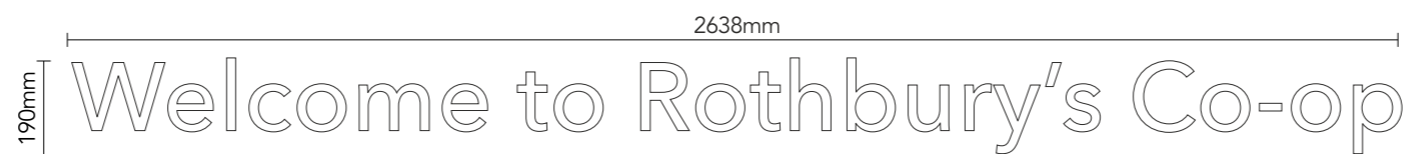
All illuminated signs to have 5 amp switched fused spur behind sign location

Scale 1:15@A3



Store CFN to be confirmed.

All illuminated signs to have 5 amp fuse spur behind sign location.



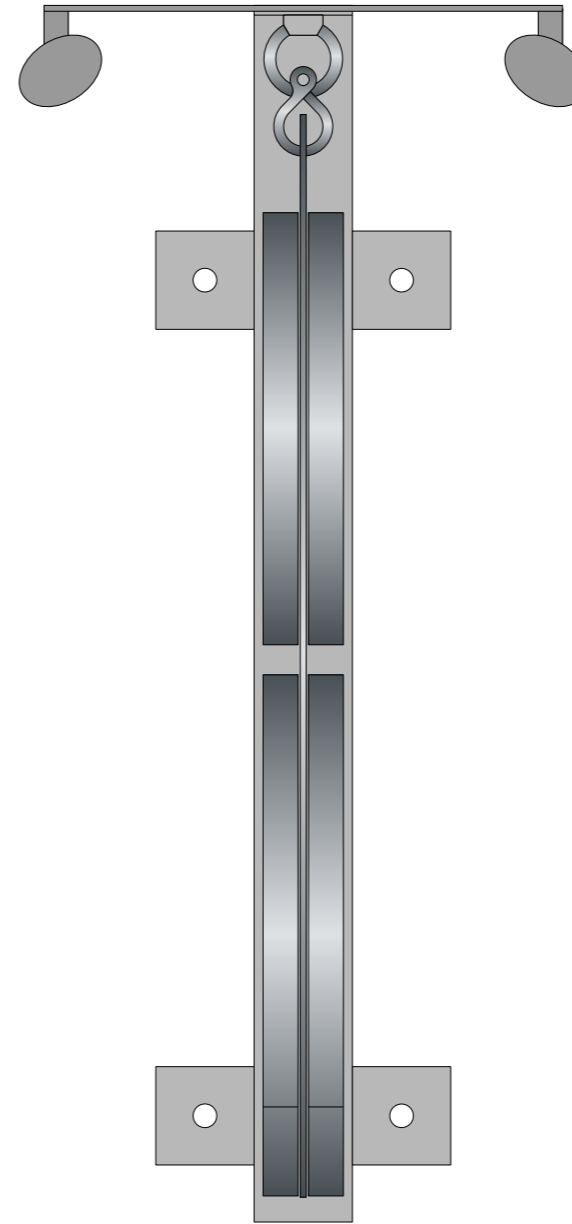
Item 2 - scale 1:15 @ A3

234mm text to match 800mm logo, from 5mm thick white Perspex 069 acrylic. Letters fitted to substrate with locator snap fixings. Non illuminated.

Height from FFL to underside of sign being: 2775mm

Item 3 Specification

Scale 1:5@A3



Item 3 - scale 1:5 @ A3

Heritage projection sign trough illuminated individual 3D letters to both sides of mounting plate. Letters constructed from 19mm exterior grade timber. Finished silver 9006 with applied BLUE vinyl to face. Blue to match PMS 306.

Fully welded 5mm Mild Steel wall mounting plate and support frame. M8 lifting eye fittings welded to the frame, c/w twisted 'D' shackles to hold the 3mm Mild steel logo plate.

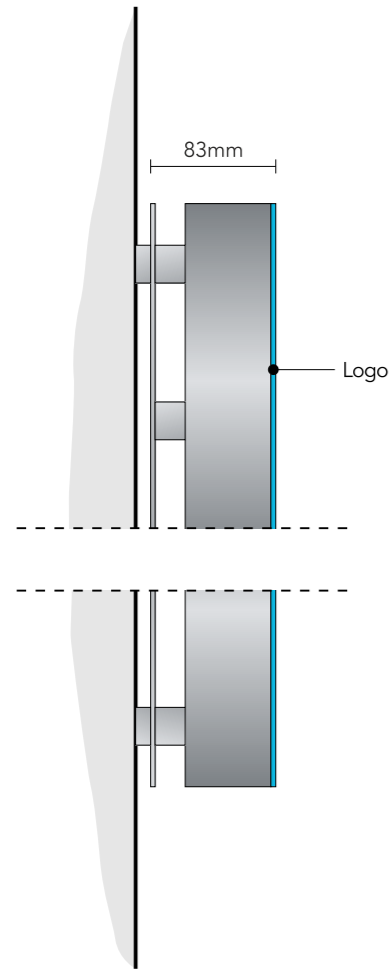
All visible steel work to be finished silver to match RAL 9006 60% gloss.

Height from FFL to underside of sign being: 2630mm

Side view - scale 1:5 @ A3

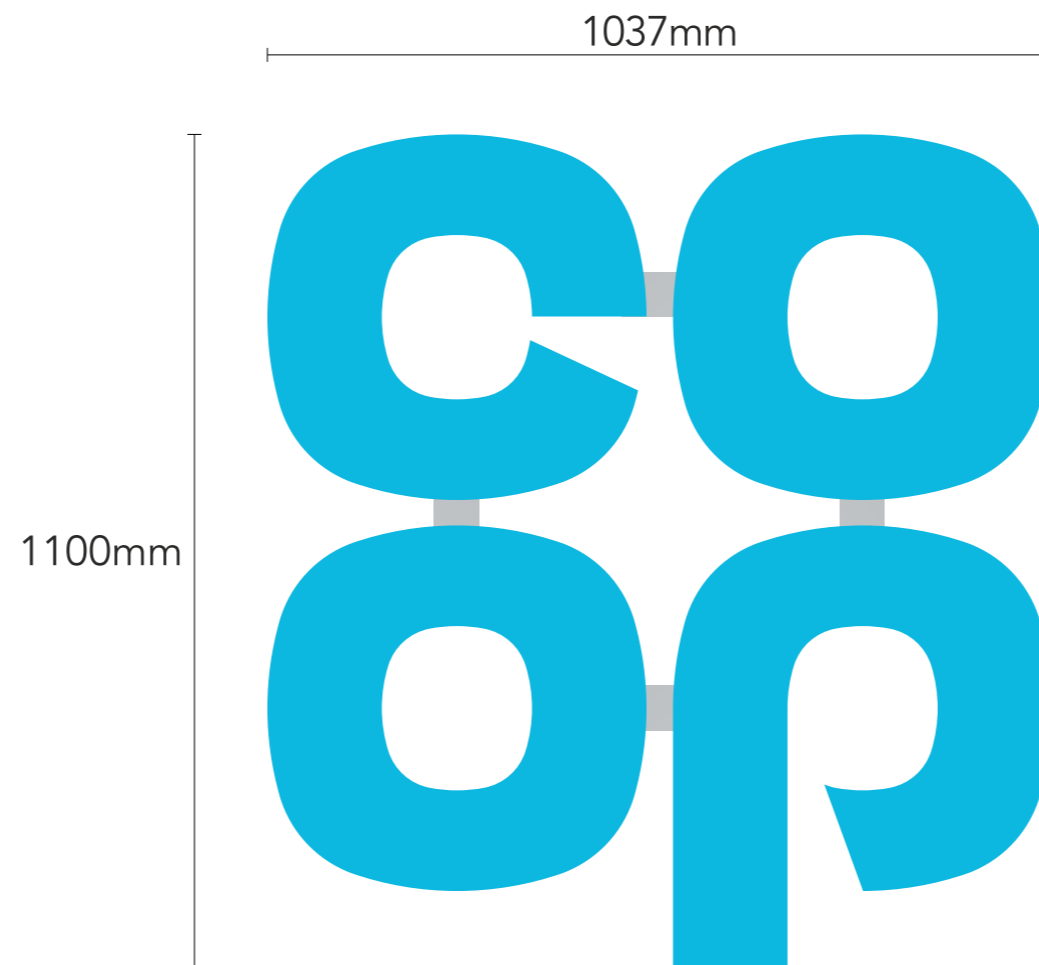
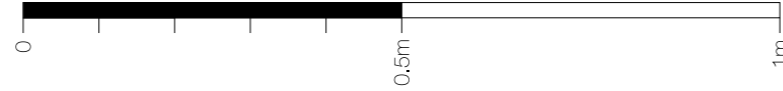
Item 4 Specification

Scale 1:5@A3



Section through Co-op
scale 1:5 @ A3

Scale 1:10@A3



Item 4 - scale 1:10 @ A3

1no Single sided built up logo. Individual built-up letters to be mounted to aluminium mounting plate. Logo to be screw fixed into building.

Logo to have blue acrylic faces with aluminium returns. Mounting plate and returns to be finished RAL 9006 Silver (60% Gloss)

Letters internally illuminated by white LEDs, giving halo illumination.

Illumination level: 300cdm/2

Height from FFL to underside of panel being: 6000mm

All illuminated signs to have 5 amp switched fused spur behind sign location

Item 5 Specification

Scale 1:5@A3



Item 5 - scale 1:5@ A3

1No. Post Office projecting sign.

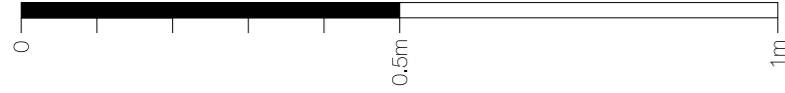
Panels to be fabricated from aluminium & powder coated red. Faces applied with white vinyl text.

Non-illuminated.

Height from FFL to underside of panel being:
2780mm

Item 6 Specification

Scale 1:10@A3



Item 6 - scale 1:10@ A3

1No. 600x600mm Flat aluminium panel with applied vinyl display, anti graffiti lacquered, rounded corners. Fixed to wall with suitable fixings

Non illuminated.

Height from FFL to underside of panel being:
1400mm

Site Plan

Scale 1:500@A3




- 1** - 650mm Halo illuminated logo & slatted fascia
- 2** - CFN
- 3** - Trough illuminated projecting sign
- 4** - 1100mm Halo illuminated logo
- 5** - Post Office projecting sign
- 6** - Deliveries sign