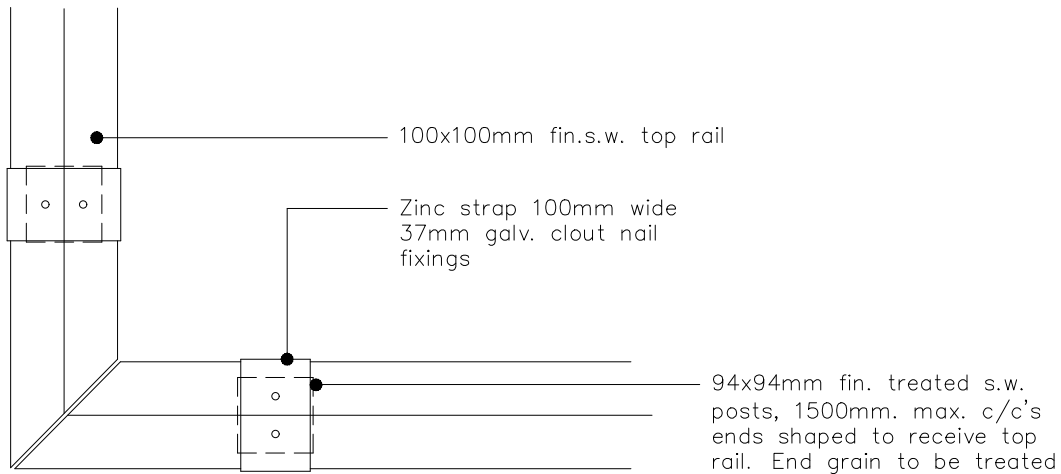


ELEVATION
showing joint & stop end

SECTION



PLAN at corner

COUNTRYSIDE
Places People Love

CountrySide Properties (UK) Limited
Partnership North
301 Bridgewater Place
Stitchwood Park, Starchwood
Warrington, WA3 6BG
Tel: 01925 246300 Fax: 01925 248891
www.countrysideproperties.com

site: **STANDARD DETAILS**

title: **POST & RAIL
FENCE DETAIL**

	drawn by:	
	checked:	
<small>FS 53054 ISO 9001:2008 EMS 61920 ISO 14001:2004</small>	scale: 1:10 @A4	
drawing no: NSD 9105	date: Feb 2015	
	sheet no: Sheet 1 of 1	revision: