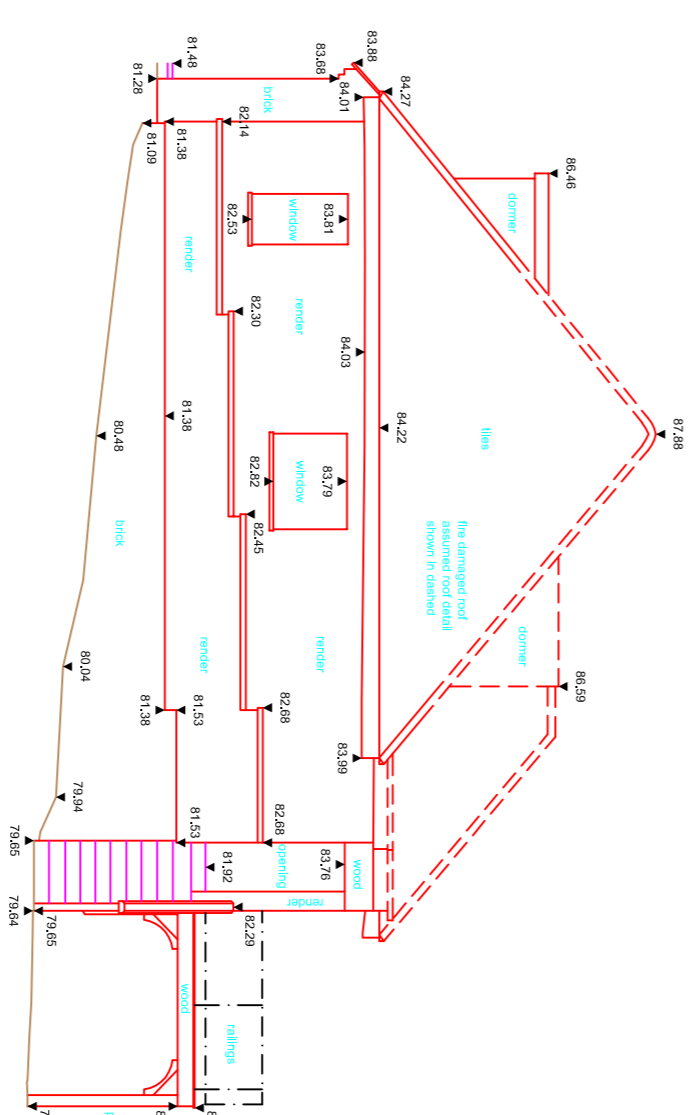
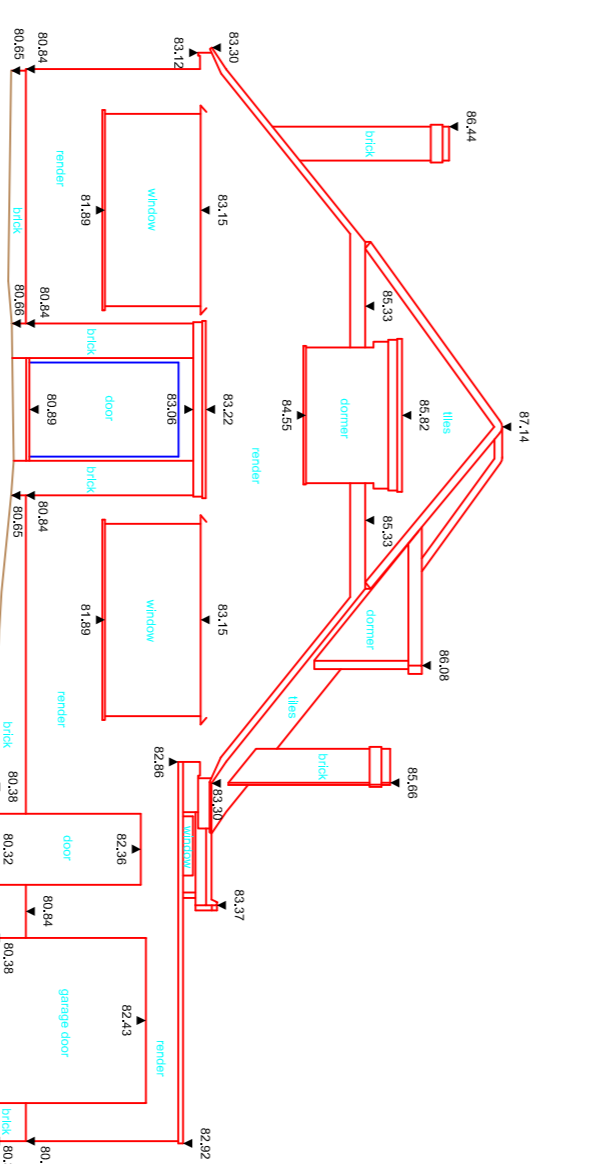
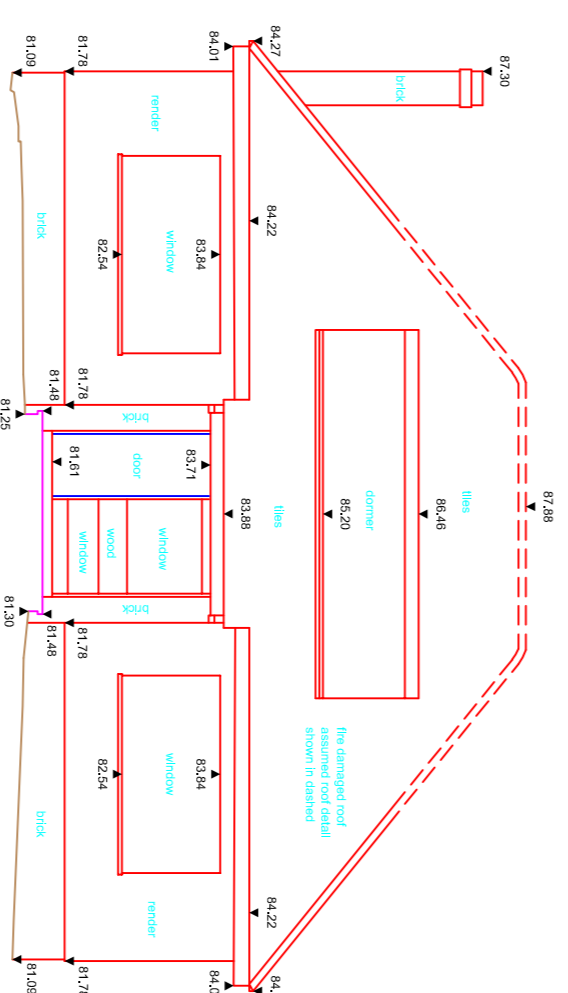


East Elevation

South Elevation

West Elevation



East Elevation

South Elevation

West Elevation

STANDARD REFERENCES

ABBREVIATIONS	
ah	apex height
bl	beam height
ch	ceiling height
cl	cover level
cau	ceiling slopes up
cah	ceiling height
fh	floor height
fl	floor level
lh	head height
lc	inspection cover
il	invert level
mh	manhole
rad	radial
rwp	rainwater pipe
sn	sill height
spn	spring height
unr	unable to raise
vh	vent head height
vp	vent pipe
vsh	vent sill height

Notes

- This survey has been compiled and drawn about the Ordnance Survey National Grid.
- All levels are in metres and relate to the Ordnance Survey active GPS stations.
- This survey was measured for a scale of 1:100 and all dimensions should be field verified.

Revisions

Drawn	A Moore	Checked	October 2022
Surveyed	B Knowlton	Date	September 2022

The copyright in the above content, created by Clifton Surveys Ltd who will grant an irrevocable licence for use by the client, is owned by Clifton Surveys Ltd. All other content, including but not limited to, the copyright and all other rights in the content, shall remain the property of the creator. All services and critical dimensions should be field verified.

Client: **Dowlas Property Group Ltd**

Drawing No. **989/5442/2** Scale A1 @ **1:100**

Drawing Title: **Elevations Hillside Road Bleadon BS24 0AA**

Client: **Dowlas Property Group Ltd**