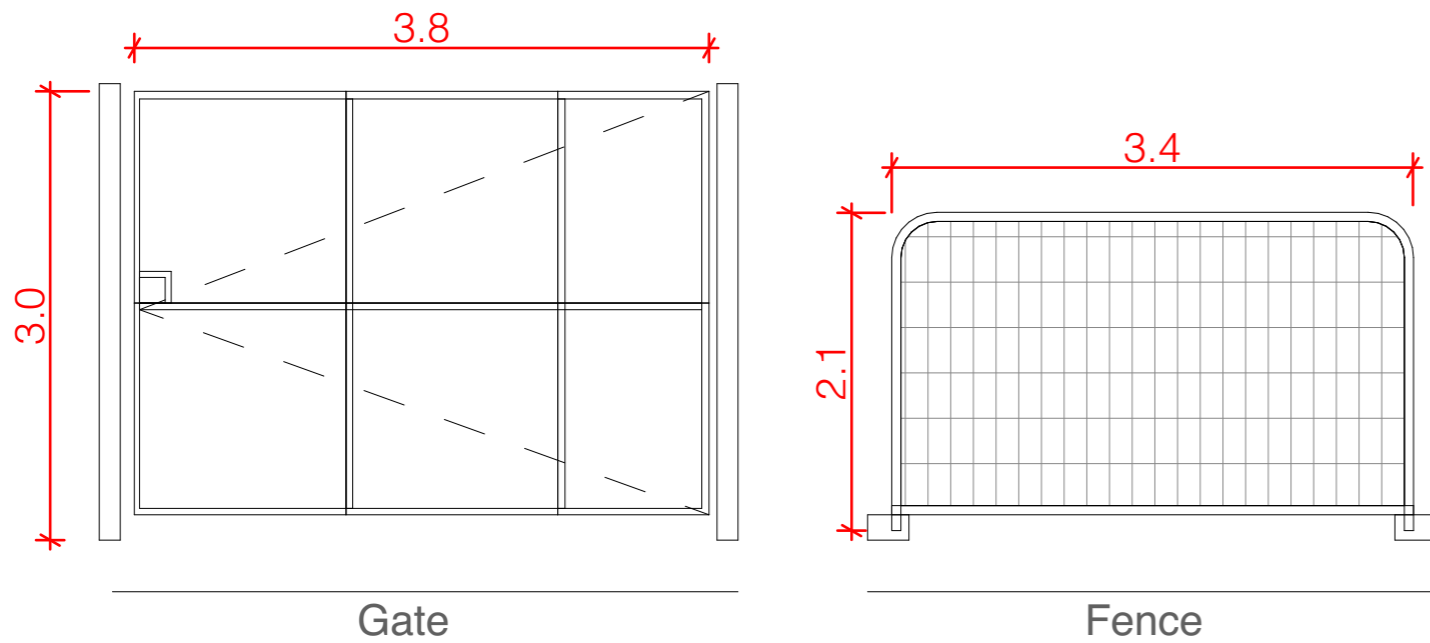


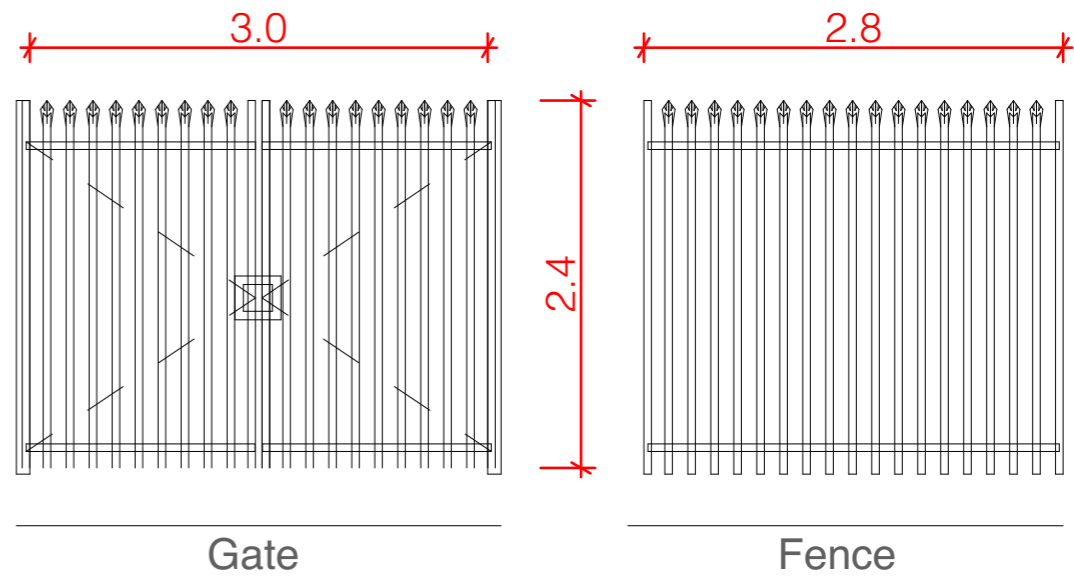
Elevations of shipping containers

1:50



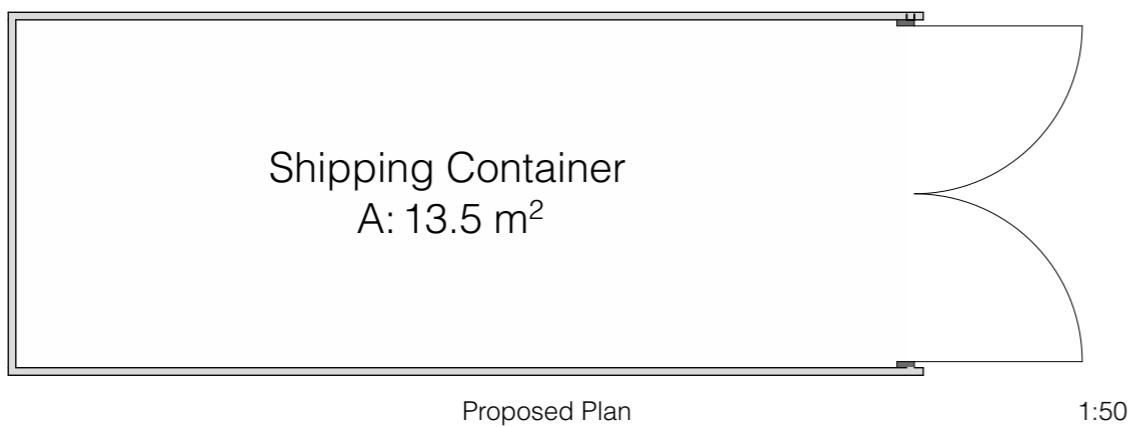
Existing Fence and Gate

1:50

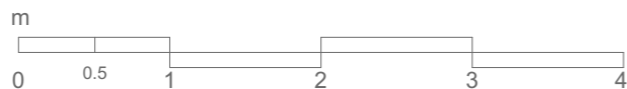


Proposed Fence and Gate

1:50



1:50



Rev	Description	Drawn	Checked	Date

Client's name		
Rathod		
Scale:		
1:50		@ A3
Drawn	Checked	Date
DN	IC	02/03/2023

Job title			
Stillers Farm			
Drawing title			
Proposed and Existing Plan and Elevations			
Job No	Drawing No	Status:	Rev
2305	TP(11)20		