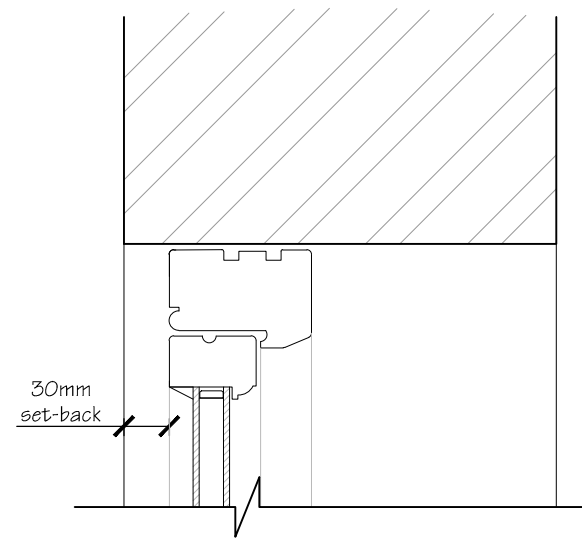
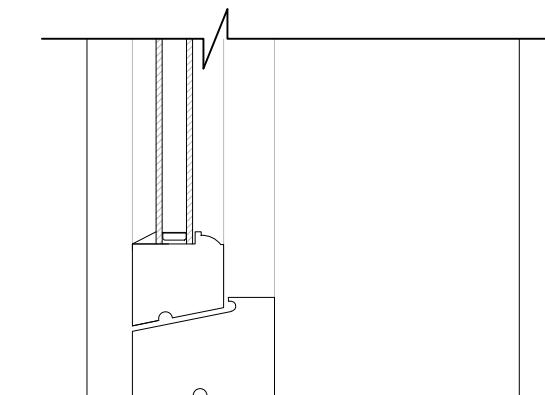
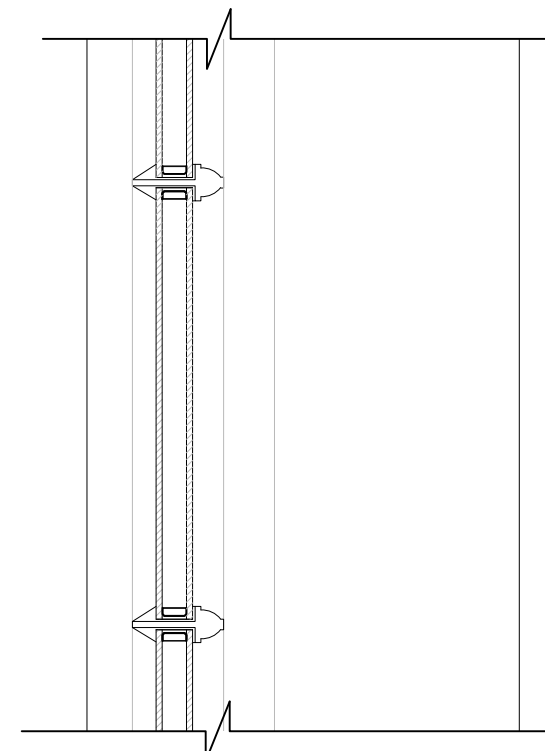


FRONT ELEVATION
Scale 1:5

Soldier course
(110 or 225 tall)



30mm
set-back



SECTION
Scale 1:5

Stone cill

FLUSH CASEMENT WINDOW W1

Soft/hardwood primed & painted
white timber window with
double-glazed seal units,
and concealed trickle vents.
Stone cill and soldier bricks to head.



Build Design Ltd

ARCHITECTURAL DESIGN & PROJECT MANAGEMENT

Project: ALTERATIONS & EXTENSION

Title: WINDOW W1

Dwg. No: 1103-09

Date: March 2023 Scales as shown

Client: Mr. & Mrs. S Marriner
Old Mill House, High Street,
Wellingore, Lincoln, LN5 0HW

Design Copyright reserved: written consent must be
obtained before copying or reproducing this drawing.
Do NOT scale this drawing - use figured dimensions
only. The Builder is responsible for checking site
dimensions and any discrepancy must be reported to
the Architectural Technician immediately.

Build Design Ltd. www.build-design.biz 01507-522277