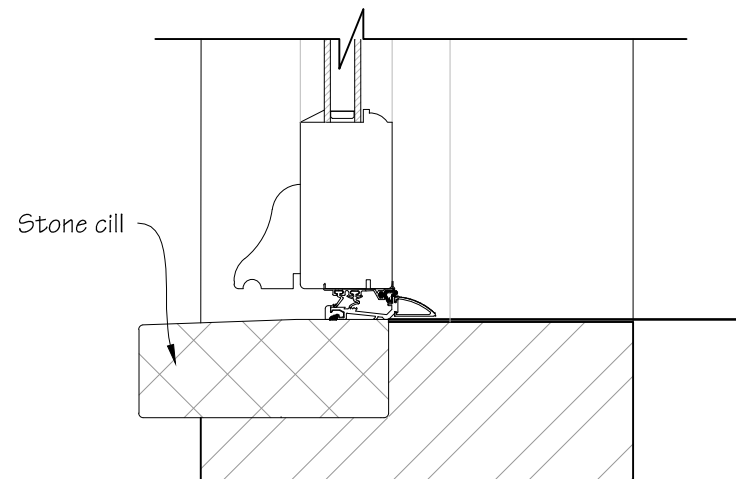
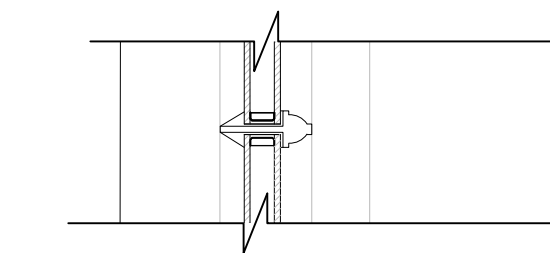
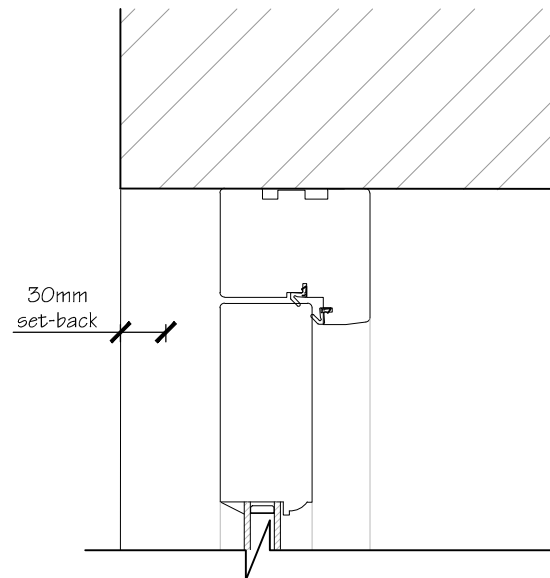


FRONT ELEVATION
Scale 1:10

Modify existing
brick Voussoir



SECTION
Scale 1:5

FRENCH DOOR D3

Outward opening soft/hardwood
timber doors primed & painted white
with double-glazed seal units.
Matching bricks on edge to head
and pre-cast stone cill.
Handle/knobs to match other doors.



Project: ALTERATIONS & EXTENSION

Title: FRENCH DOORS D3

Dwg. No: 1103-08

Date: March 2023 Scales as shown

Client: Mr. & Mrs. S Marriner
Old Mill House, High Street,
Wellingore, Lincoln, LN5 OHW

Design Copyright reserved: written consent must be
obtained before copying or reproducing this drawing.
Do NOT scale this drawing - use figured dimensions
only. The Builder is responsible for checking site
dimensions and any discrepancy must be reported to
the Architectural Technician immediately.

Build Design Ltd. www.build-design.biz 01507-522277