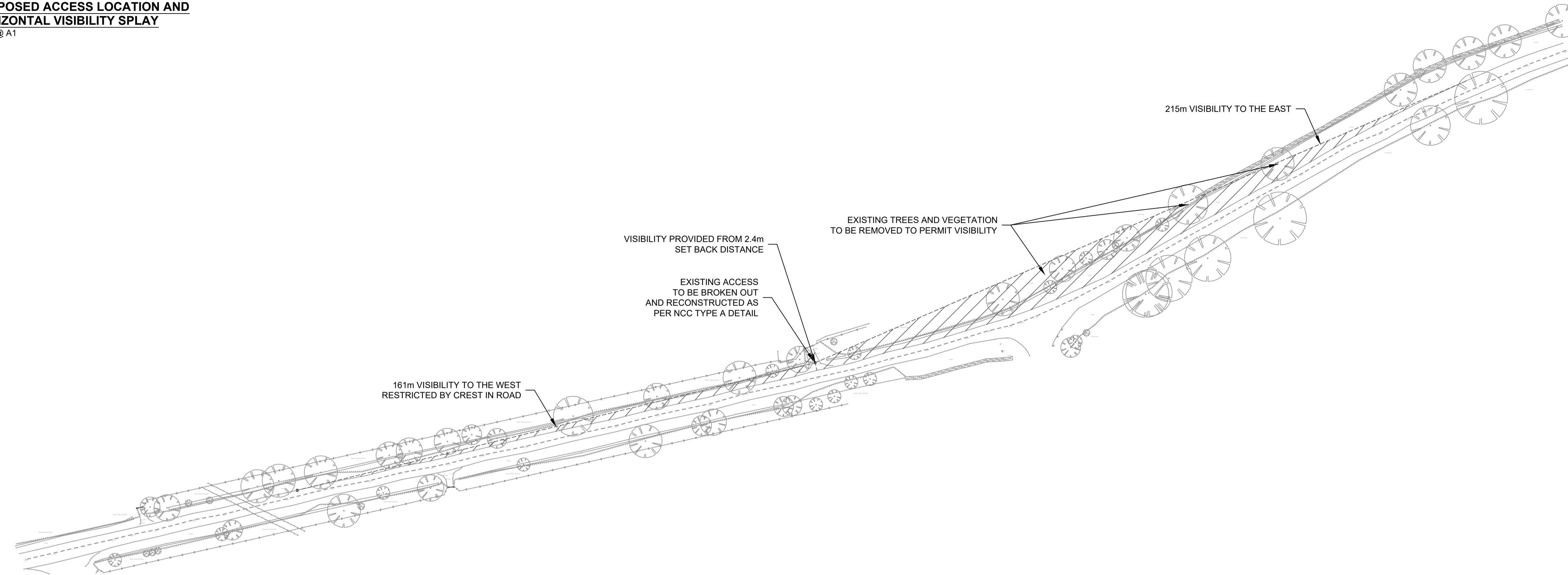
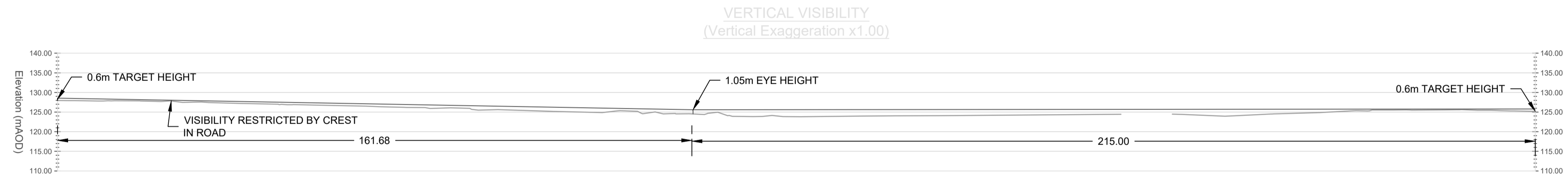


**PROPOSED ACCESS LOCATION AND HORIZONTAL VISIBILITY SPLAY**  
1:750 @ A1

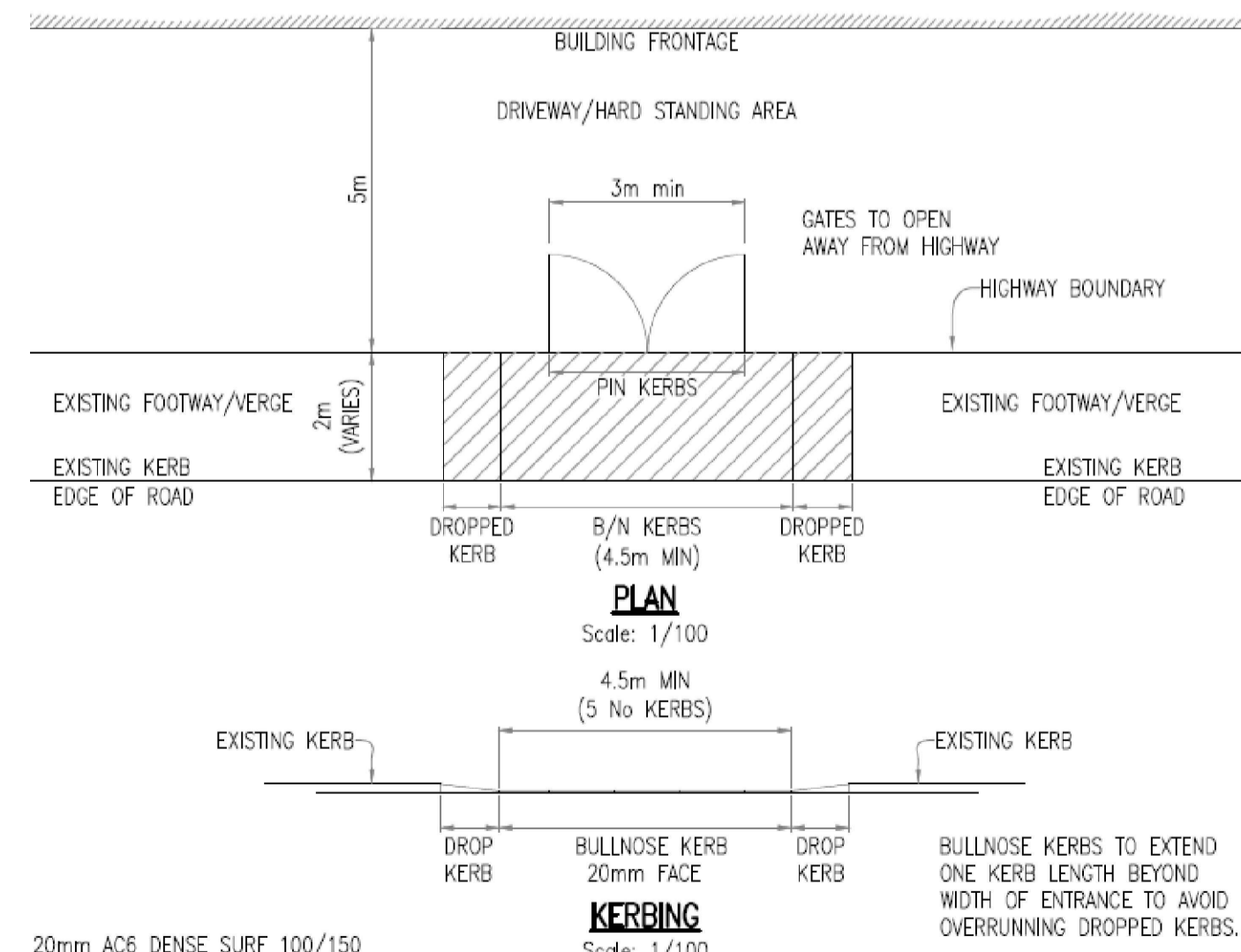


NOTES  
ALL WORKS SHOWN ARE PRELIMINARY FOR PLANNING PURPOSES ONLY.  
VISIBILITY SPLAY BASED ON TOPOGRAPHICAL SURVEY PROVIDED BY THE CLIENT

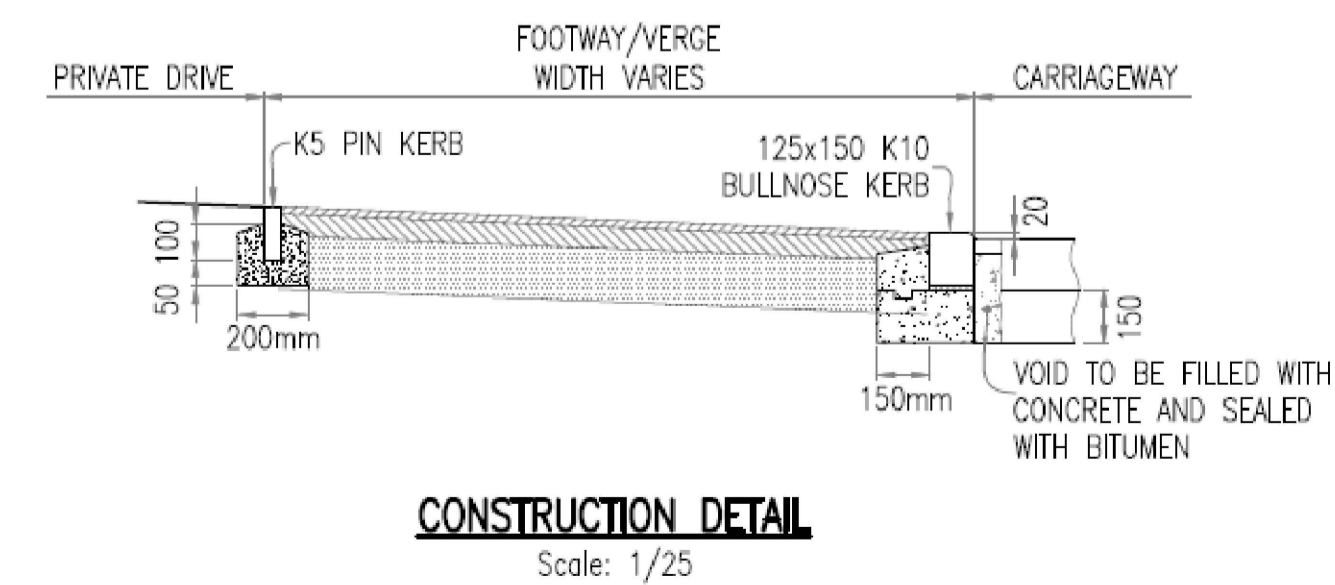
**PROPOSED VERTICAL VISIBILITY SPLAY**  
1:750 @ A1



**PROPOSED ACCESS DETAIL NCC TYPE A**  
NTS



20mm AC6 DENSE SURF 100/150  
60mm AC14 DENSE SURF 100/150  
150mm TYPE 1 UNBOUND MIXTURE SUB-BASE.  
OR  
100mm CONCRETE MIX S15 (CRIMPED SURFACE)  
SEPARATION MEMBRANE  
100mm TYPE 1 UNBOUND MIXTURE SUB-BASE.  
KERB BACKING & FOUNDATION MIX S14 CONCRETE.



**CONSTRUCTION DETAIL**  
Scale: 1/25

REVISION	DETAILS	DATE
CLIENT		
PROJECT	TILE SHEDS, GALLOWHILL	
DRAWING TITLE	PROPOSED SITE ACCESS GENERAL ARRANGEMENT	
DRG NO.	001	REV
DRG SIZE	A1	SCALE 1:750 DATE 24/05/20