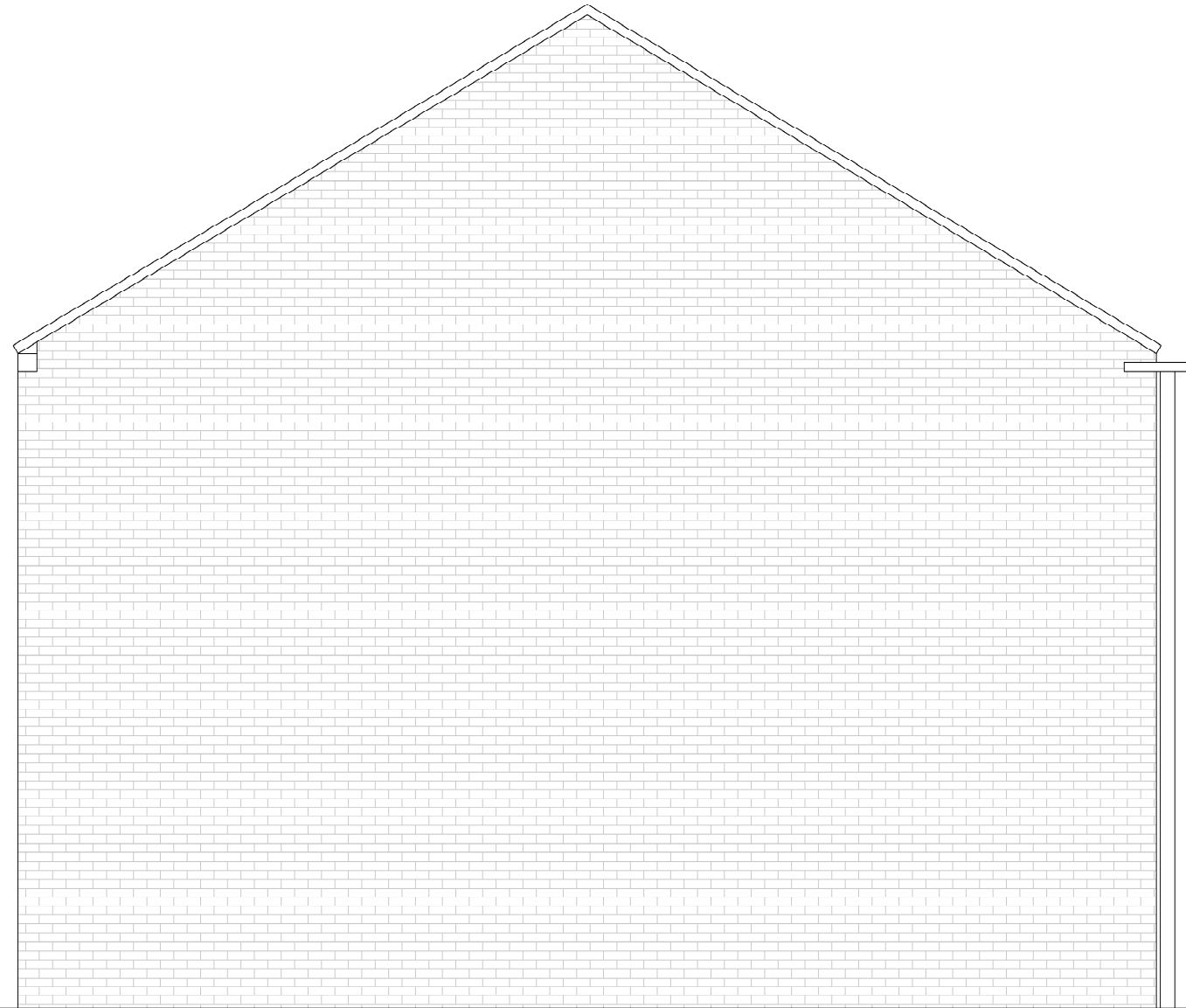




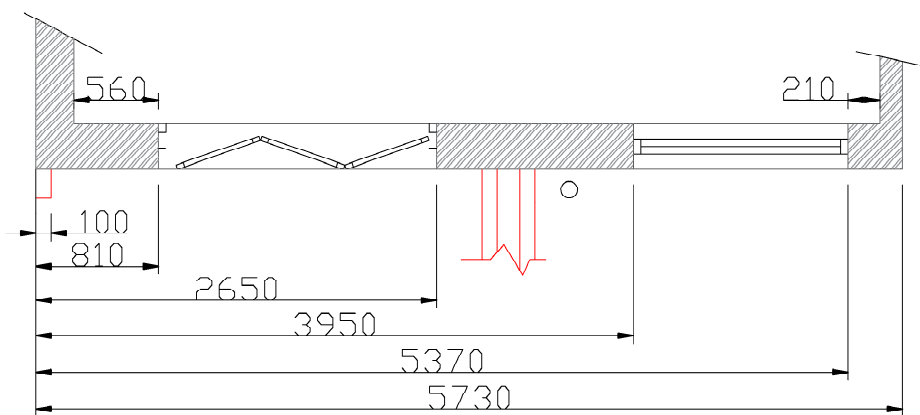
5730

VIEW FROM NORTH



8610

VIEW FROM EAST



560

210

100

810

2650

3950

5370

5730

Mr. S. Hepburn  
85 Palmer Road  
CV31 2HR

© this drawing is  
protected by  
copyright

Scale:  
1:50@A3

Drawing No:  
OKD1001

Revision:  
A.0

Date:  
08/03/23

Author:  
OKD

## Existing Elevations