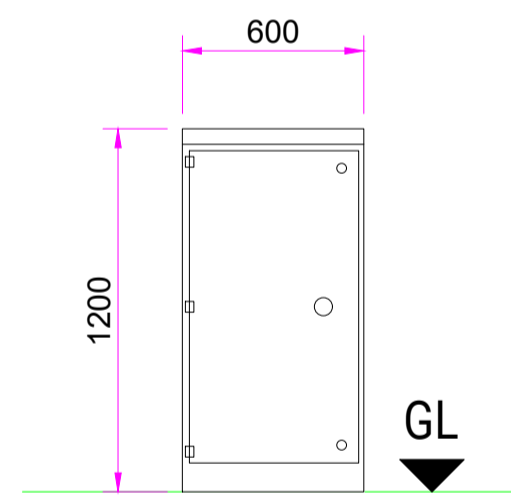
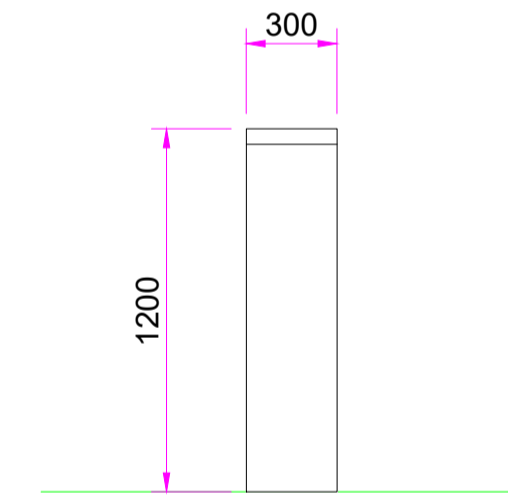


PLAN VIEW



FRONT ELEVATION



SIDE ELEVATION



B	Drawing/project name/number update	18.07.22	SS AF
A	Sheet template update	27.06.22	SS JG
-	First Issue	17.05.19	SS
Rev	Description	Date	Checked

Drawing No. **BRAM-PP-TCL-DRG-G009**

Project **Bramford Substation Battery (amended scheme)**

Title **Feeder Pillar Arrangement**

Scale	1:25 @A1	Drawn by	Checked	Date
		SS	AF	18.07.22



A: Pivot Power Limited,  
Cardinal Place,  
80 Victoria Street,  
London SW1E 5JL

E: [info@pivot-power.co.uk](mailto:info@pivot-power.co.uk)  
W: [www.pivot-power.co.uk](http://www.pivot-power.co.uk)