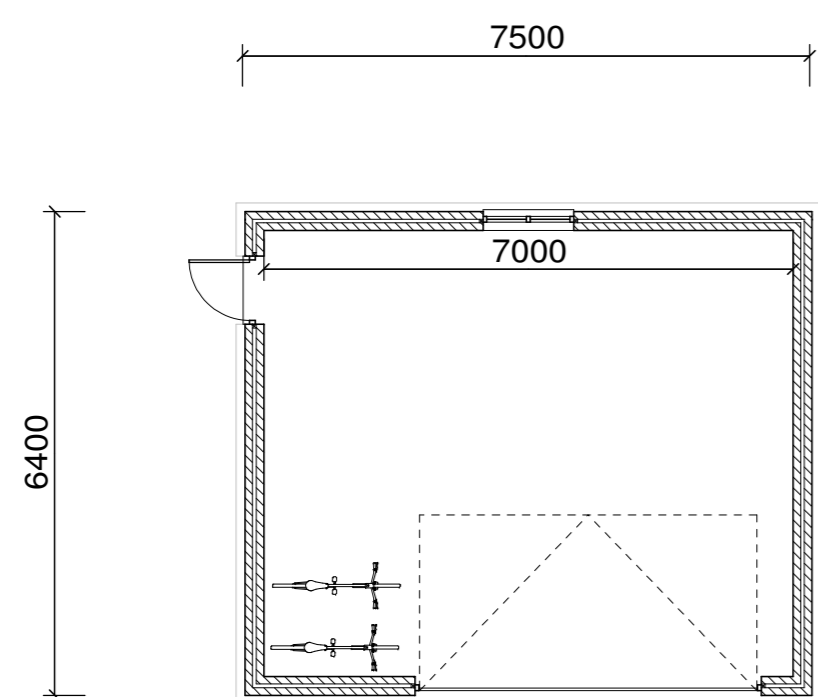
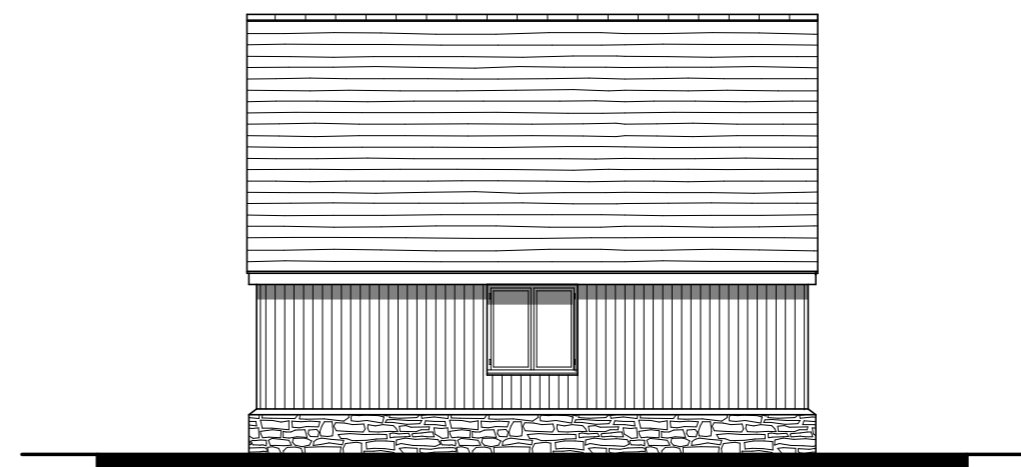


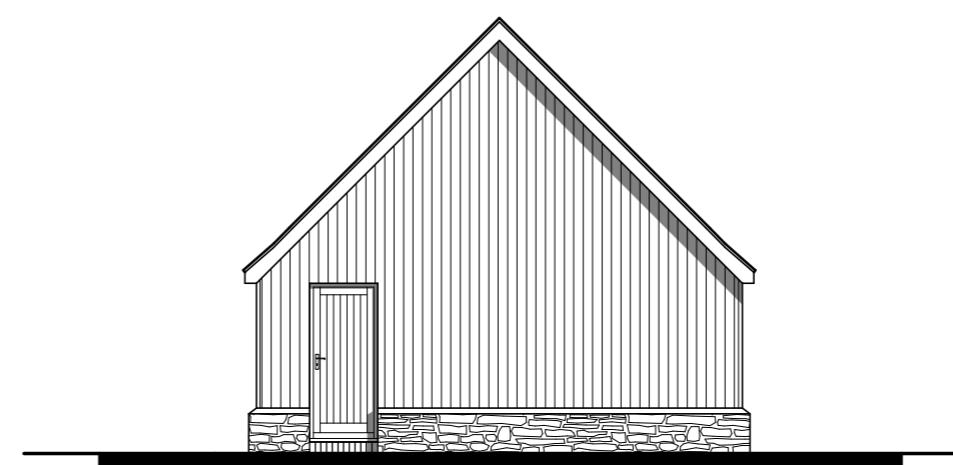
Revisions:



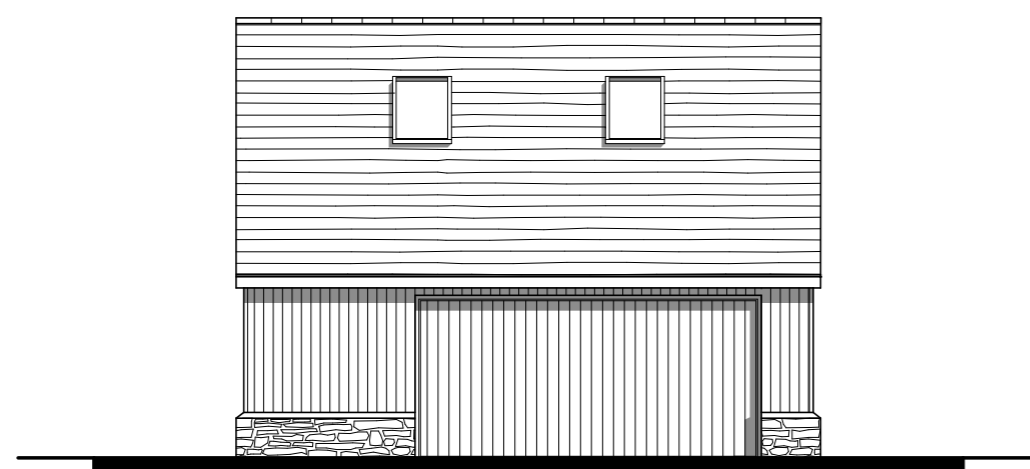
GROUND FLOOR PLAN



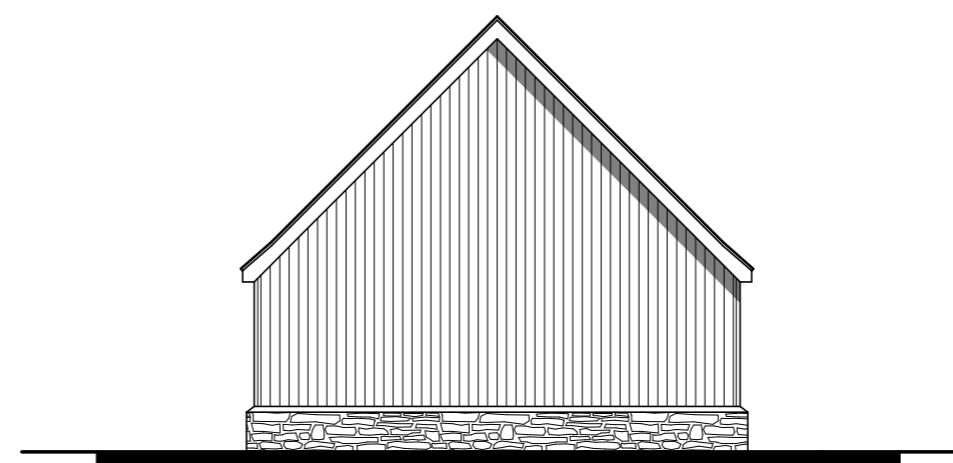
REAR (WEST) ELEVATION



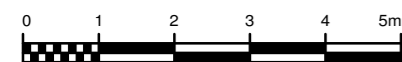
SIDE (NORTH) ELEVATION



FRONT (EAST) ELEVATION



SIDE (SOUTH) ELEVATION



Client:

Mr & Mrs S Parker

Site Address:

Plot 1
Sorrento
Coads Green
Launceston
Cornwall
PL15 7LY

Drawing Title:

PROPOSED GARAGE

Drawing No.:

22-0929/G1

Scale:

1:100 @ A2



Adams Planning &
Project Services Ltd

Tel: 01363 779143 enquiries@adamspss.co.uk