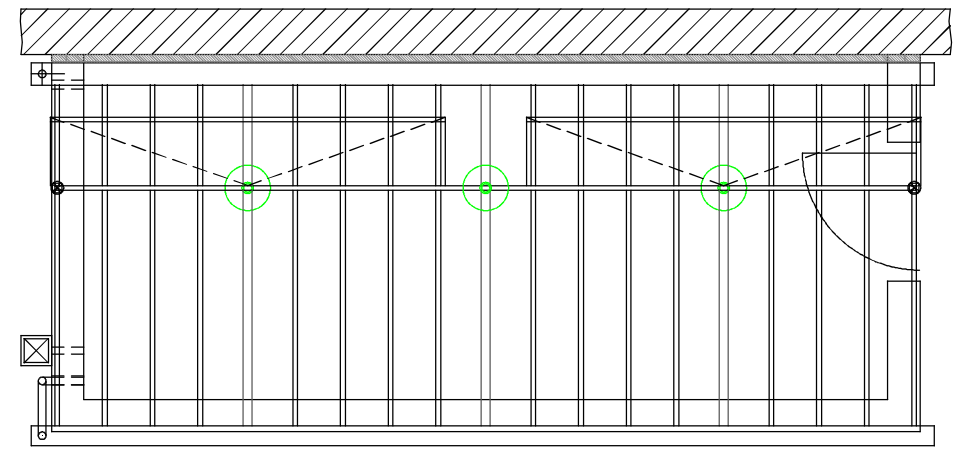
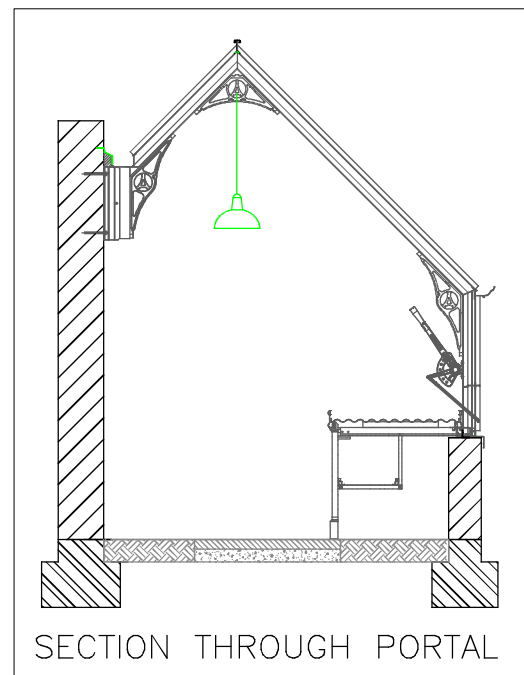
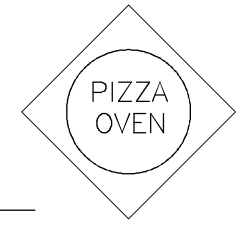


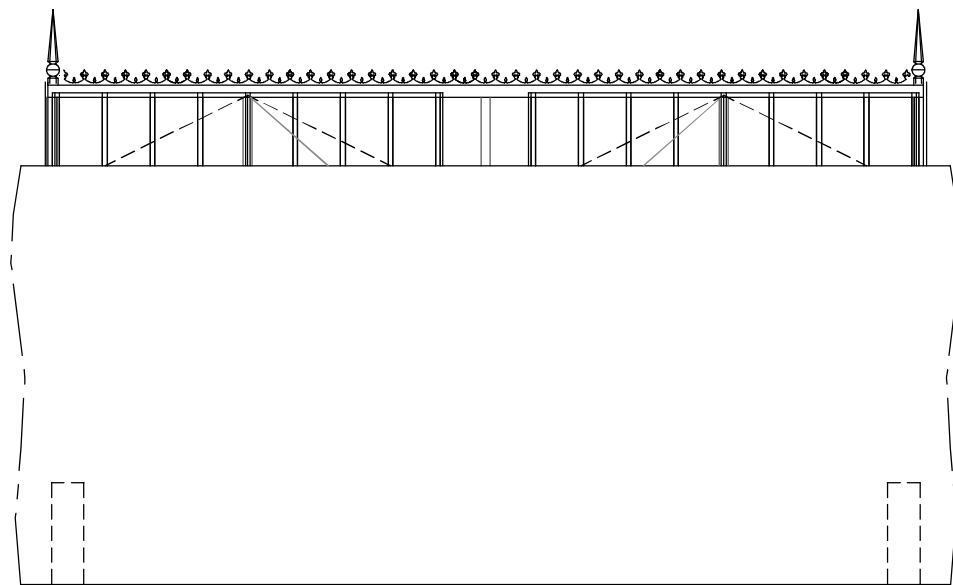
GROUND PLAN
 ISSUED FOR BUILDING & DESIGN,
 SPECIFICATION HAS BEEN CONFIRMED



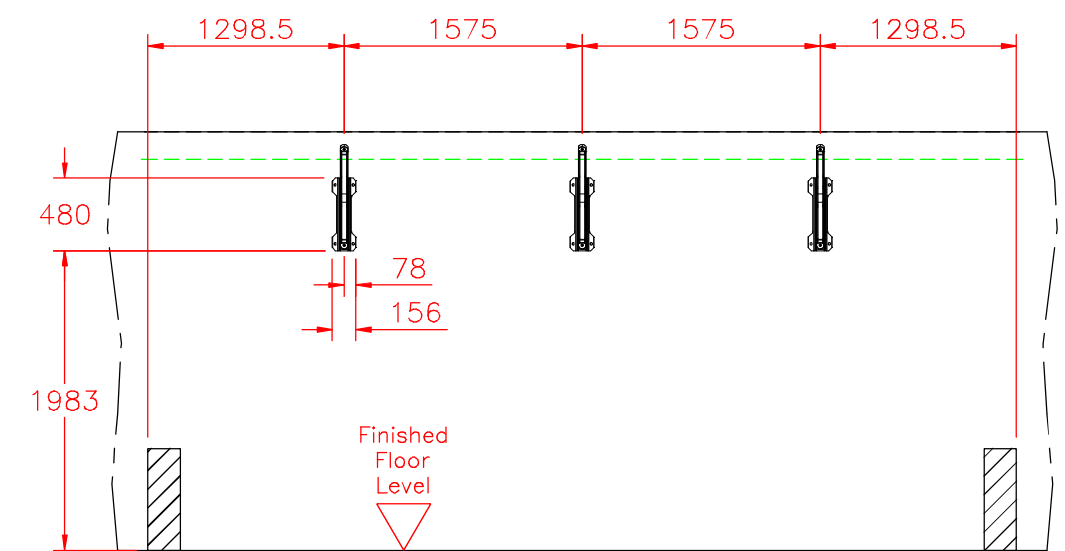
ROOF PLAN



SECTION THROUGH PORTAL

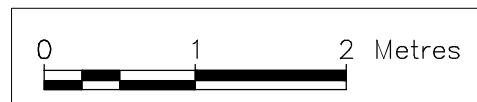


WEST ELEVATION



PORTAL FRAME POSITIONS (3 OFF).

NOTE : PROJECTING STONES WHICH MAY FOUL PORTAL PLATES ARE TO BE GROUND OFF



REV.A : UPDATED TO GROUND PLAN. SHEET 3 – TIMBER FILLET DETAILS ADDED. MRS. 17.12.13.				
ALITEX™ GREENHOUSES AND CONSERVATORIES		TITLE GROUND PLAN – TRADITIONAL 3/4 SPAN GREENHOUSE AGAINST EXISTING REAR WALL. 315 BAYS & 45° ROOF.		
		DRAWN FMcB	DATE 03.10.13	SCALE 1:50 @A3
CHECKED	CHECKED	CUSTOMER / ORDER No. Mrs S Connon – Tembo, Duncur Rd. 19168		