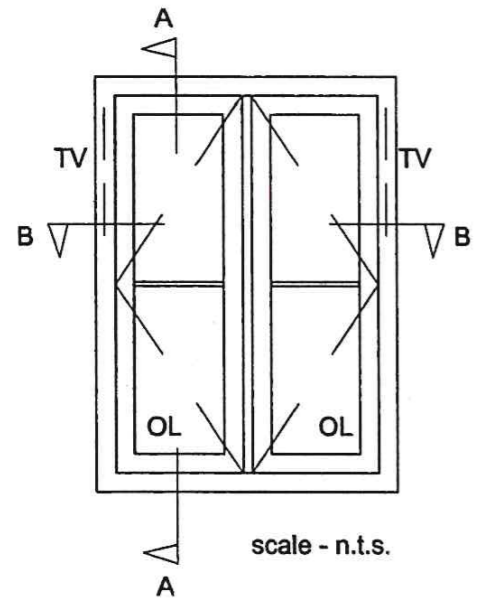
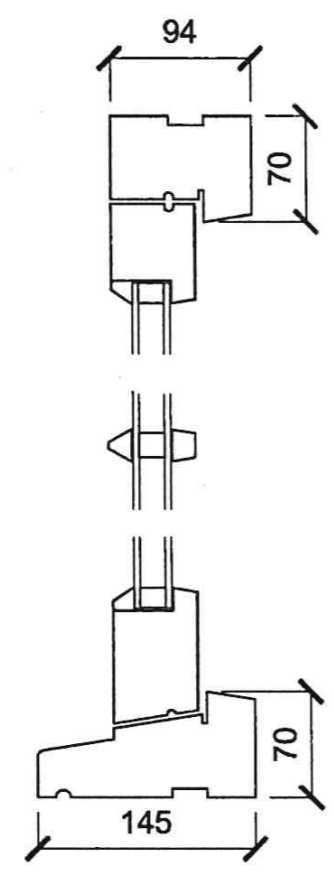


Note: This drawing is copyright and may not be reproduced or used for any purpose other than that intended without prior written agreement with the designer.

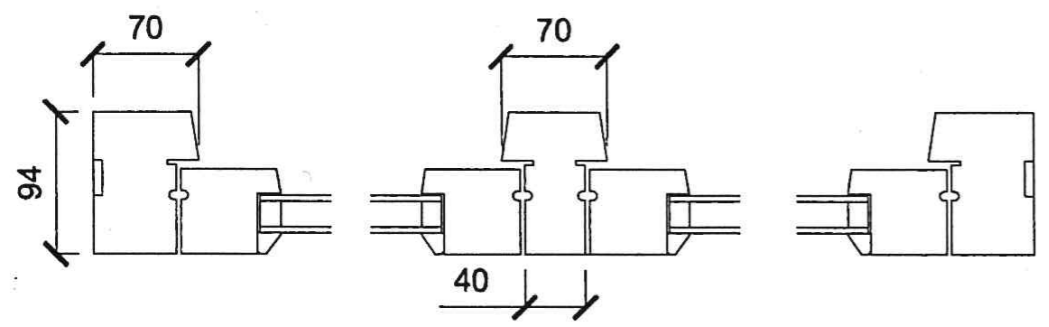
All dimensions, levels and setting out to be checked on site by the contractor prior to commencement of work.



Typical Double glazed outward opening casement timber windows  
 Timber type - Sapele  
 Finish - primed and painted (colour ~~TBA~~ GREY)  
 Glazing type - Low 'E' 4/16/4 clear toughened DG Units with Duplex Bar

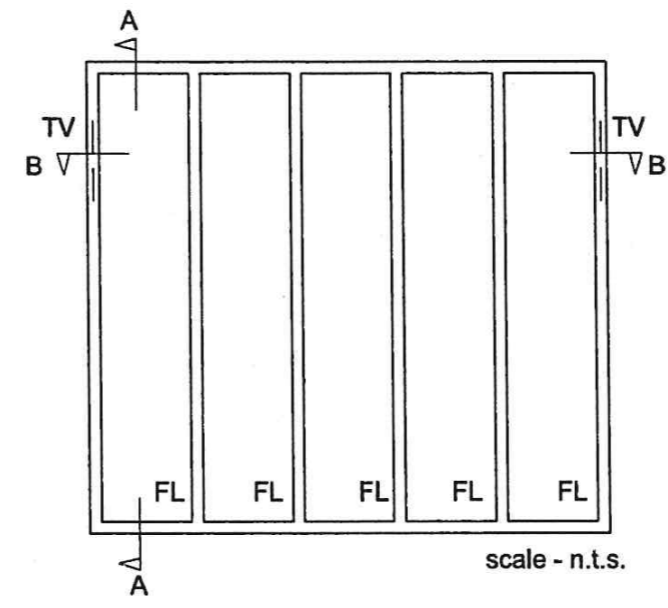


Section AA  
 scale - 1:5@A3

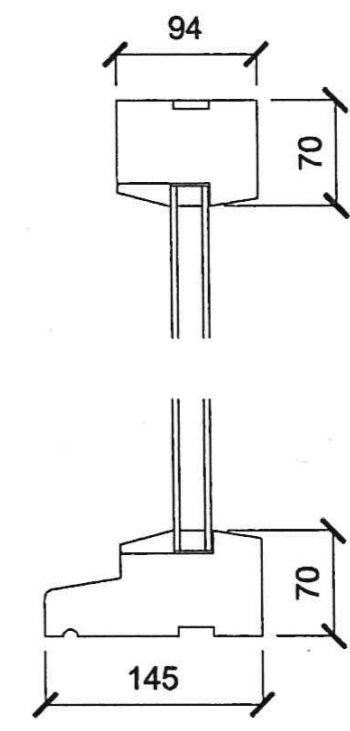


Section BB  
 scale - 1:5@A3

Note - all details shown indicative only, final details to be confirmed by window and door manufacturer.



Flush fixed casement frame  
 Timber type - Sapele  
 Finish - primed and painted (colour ~~TBA~~ GREY)  
 Glazing type - Low 'E' 4/16/4 clear toughened DG Units



Section AA  
 scale - 1:5@A3

DO NOT SCALE FOR CONSTRUCTION PURPOSES



PLANNING ISSUE

**Jewell & Co.**  
 architectural services  
 Tara, Langweath Lane, Mawgan, Helston, Cornwall TR12 6AX  
 Tel: 01326 221836  
 email: jewell.72@btinternet.com

Client  
 Mr. R Thomas

The Old Vicarage  
 St Erth Hill  
 St Erth  
 Hayle

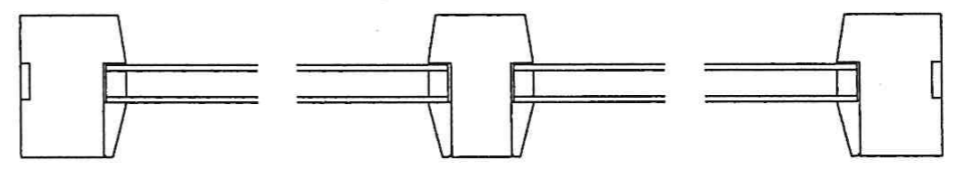
Conversion and Extension of Barn to Dwelling House.

Drawing title  
 Typical window details

Scale  
 1:5@A3

Date  
 10.06.14

Job no	Drawing no	Rev
1155	Det-02	



Section BB  
 scale - 1:5@A3

TV - Trickle ventilation  
 OL - Opening light  
 FL - Fixed light