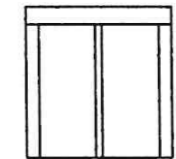
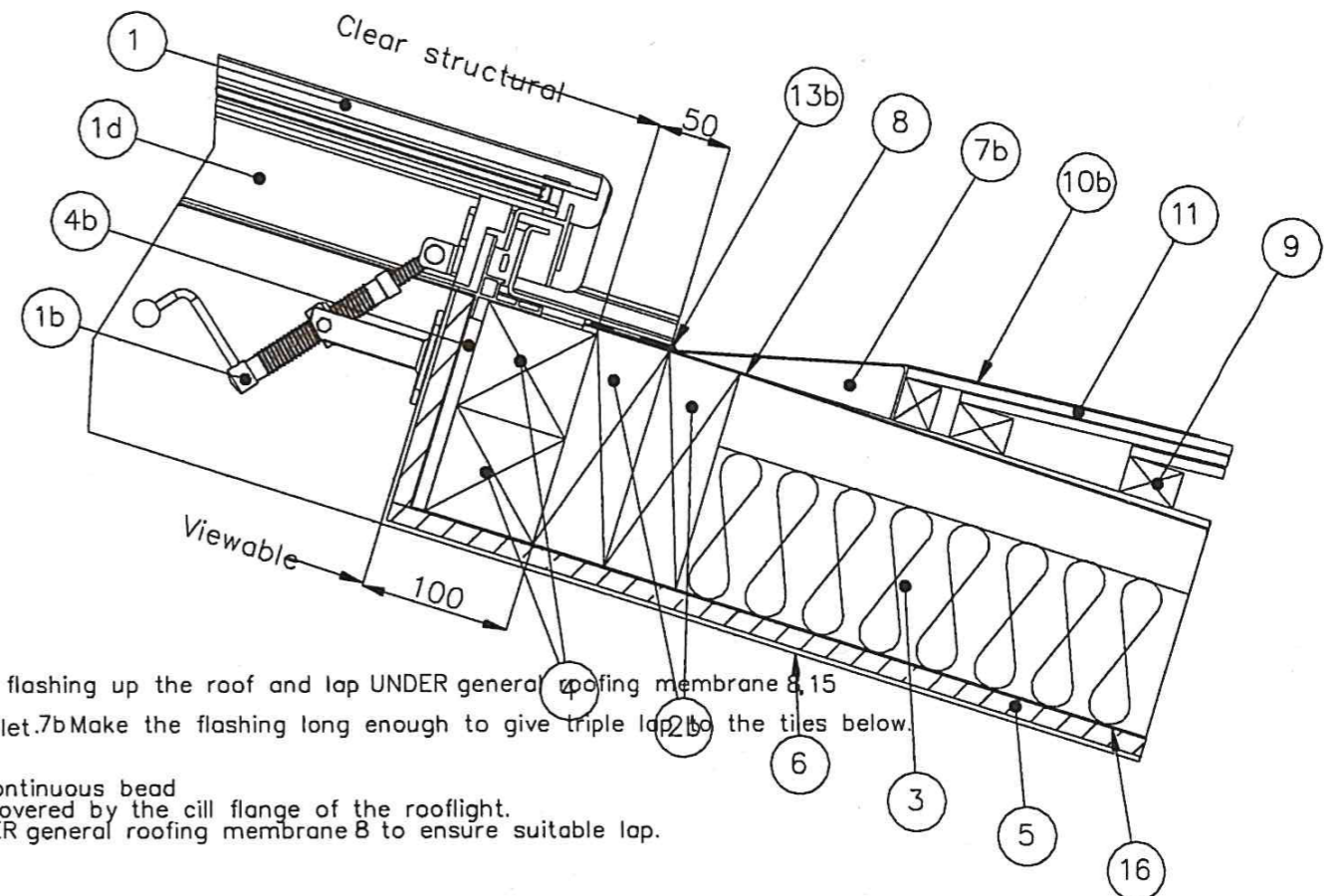
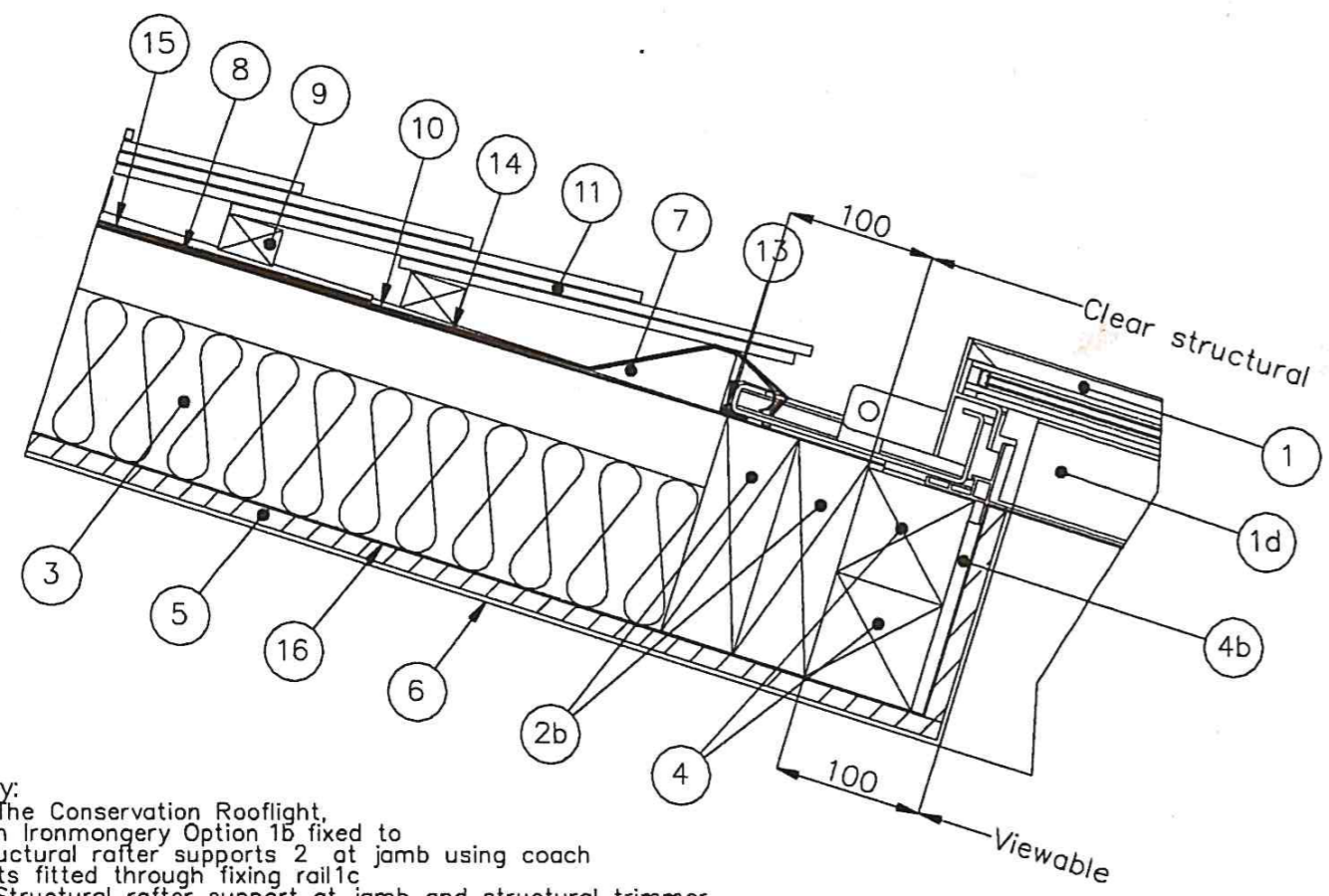


Note: This drawing is copyright and may not be reproduced or used for any purpose other than that intended without prior written agreement with the designer.

All dimensions, levels and setting out to be checked on site by the contractor prior to commencement of work.

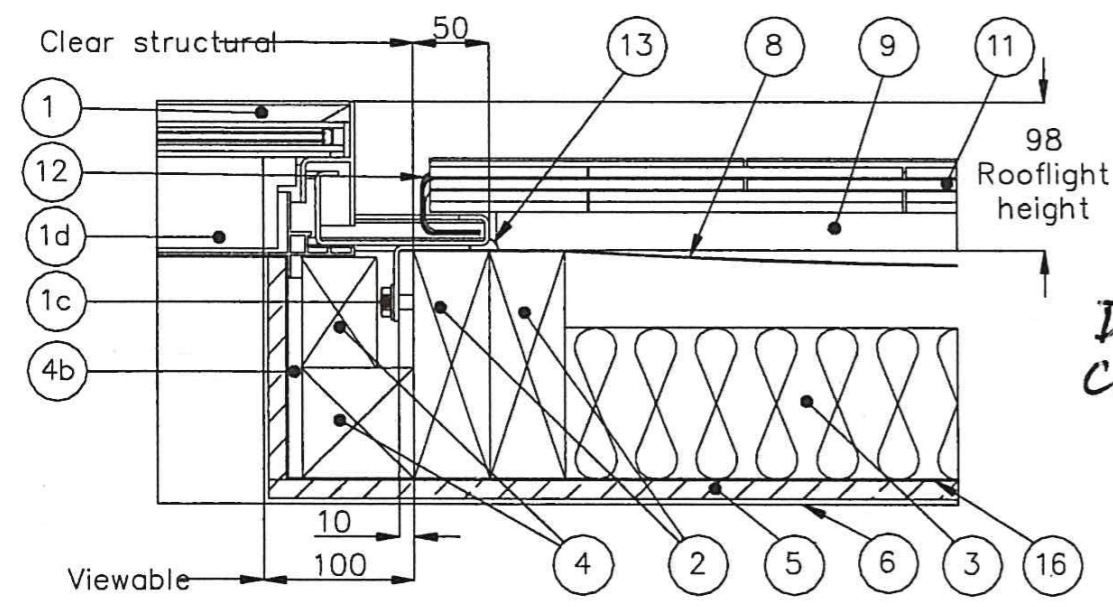


RL01 - type CR-1 = 565 x 725mm
Structural dimension
Conservation Rooflight by The Rooflight Company



- Key:
1. The Conservation Rooflight, with Ironmongery Option 1b fixed to structural rafter supports 2 at jamb using coach bolts fitted through fixing rail 1c
 2. Structural rafter support at jamb and structural trimmer support at head and cill 2b
 3. Insulation fitted between structural supports
 4. Timber packers fixed to structural supports 2, 2b with 9mm WBP ply spacer 4b to which plasterboard / timber lining is fixed.
 5. Plasterboard lining.
 6. Plaster skim to align with rooflight linings 1d to provide 'frameless' internal appearance. Rooflight linings 1d MUST BE PAINTED with a timber finishing paint once the rooflight is installed to ensure longevity of this component.
 7. Head hardwood tilting fillet.
 - 7b. Cill hardwood tilting fillet - to provide minimum 5 degree fall for shedding rain water.
 - 8 & 15. Line of general roofing membrane.
 9. Softwood battens.
 10. Code 3 (consider using code 4 and clipping down roof tiles in severer exposures) lead flashing at head. Carry flashing up the roof and lap UNDER general roofing membrane 8, 15 and UNDER head membrane 14.
 - 10b. Code 4 (consider clipping flashing and roof tiles down in severer exposures) lead flashing at cill over tilting fillet. 7b. Make the flashing long enough to give triple lap 2b to the tiles below.
 11. Roofing tiles.
 12. Jamb flashing - lead soakers as shown (or mortar bed).
 13. Perimeter silicone seal. Seal perimeter of rooflight JUST PRIOR TO installation of the rooflight using a thick continuous bead of low modulus neutral cure silicone sealant. Ensure sealant to cill 13b is located in a position where it will be covered by the cill flange of the rooflight.
 14. Roofing membrane to rooflight head. Dress UNDER general roofing membrane 15, UNDER lead flashing 10 and OVER general roofing membrane 8 to ensure suitable lap.
 16. Vapour barrier.

Please Note:
These sectional details are provided as an installation suggestion. Due to the differing nature of installations we strongly advise you to consult your rooflight installer to verify fitness for purpose. This drawing does not constitute a structural proposal. Sufficiency of structural supports to be checked by rooflight purchaser's structural consultant.



DO NOT SCALE FOR CONSTRUCTION PURPOSES



Note - all details shown indicative only, final details to be confirmed by window and door manufacturer.

PLANNING ISSUE

Jewell & Co.
architectural services
Tara, Langweath Lane, Mawgan, Helston, Cornwall TR12 6AX
Tel: 01326 221836
email: jewell.72@btinternet.com

Client Mr. R Thomas The Old Vicarage St Erth Hill St Erth Hayle
Conversion and Extension of Barn to Dwelling House.

Drawing title Typical Rooflight details		
Scale 1:5@A3	Date 10.06.14	
Job no 1155	Drawing no Det-05	Rev