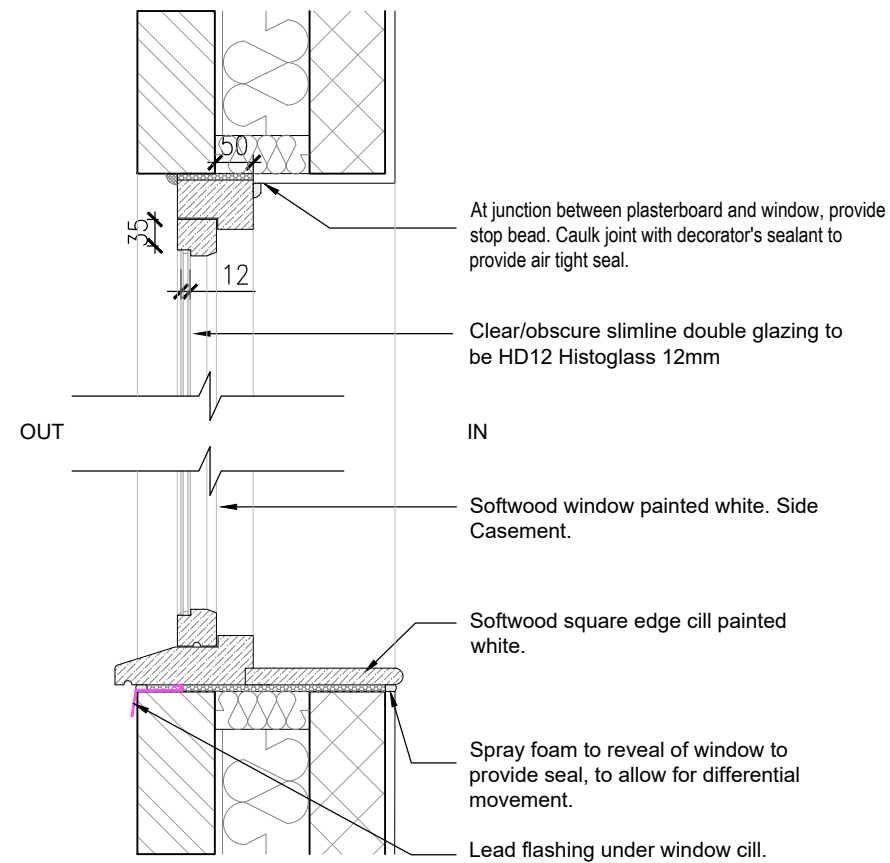
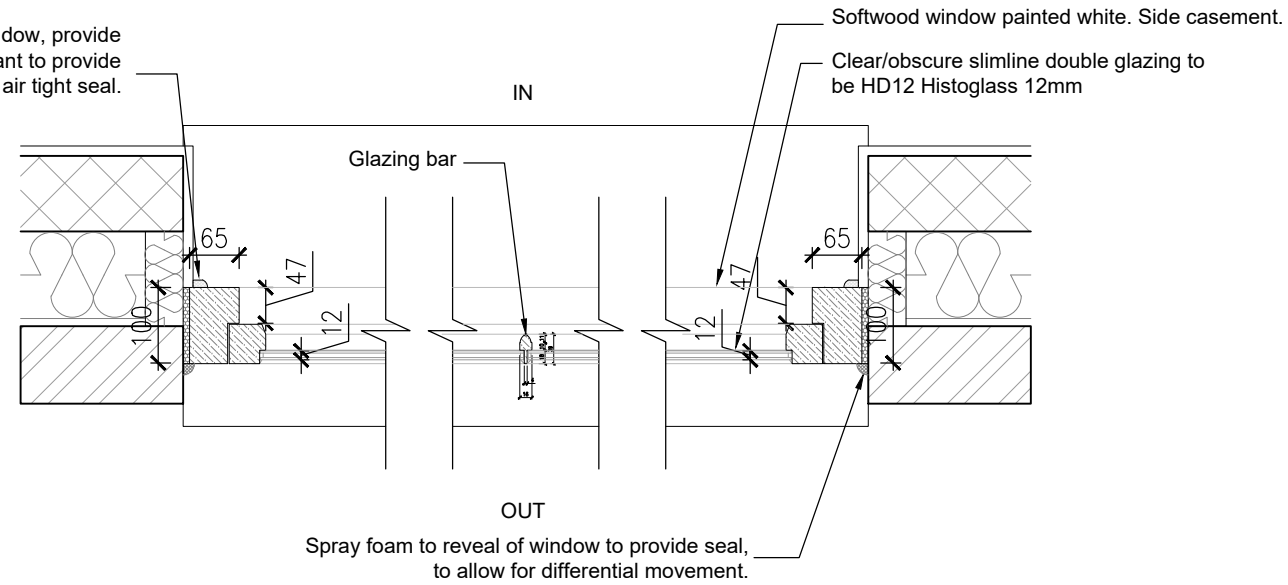


CASEMENT WINDOW
PLAN SECTION

At junction between plasterboard and window, provide stop bead. Caulk joint with decorator's sealant to provide air tight seal.



CASEMENT WINDOW
ELEVATIONAL SECTION

NOTES:

Do Not Scale.

Report all discrepancies, errors and omissions.

Verify all dimensions on site before commencing any work on site or preparing shop drawings.

All materials, components and workmanship are to comply with the relevant British Standards, Codes of Practice, and appropriate manufacturers recommendations that from time to time shall apply.

For all specialist work, see relevant drawings.

This drawing and design are copyright of Clague LLP
Registration number OC335948.

Rev	Date	Description
-----	------	-------------

Project Title

Dr Neville Jackson
Church Cottages
Shuart Lane
St Nicholas at Wade
CT7 0NG

Drawing Description

Proposed Extension and Alterations

Window Joinery Details

BUILDING REGULATIONS PACKAGE

Scale	Drawn by
1:10 @ A3	CM
Date	Checked by
March 2023	JF

CLAGUE ARCHITECTS

62 Burgate, Canterbury
Kent CT1 2BH 01227 762060

2 Kinsbourne Court, Luton Road,
Harpden, Hertfordshire AL5 3BL 01582 765102

8, Disney Street
London SE1 1JF 0203 597 6112

CANTERBURY LONDON HARPENDEN

Drawing Number	Revision
----------------	----------

30375A_002