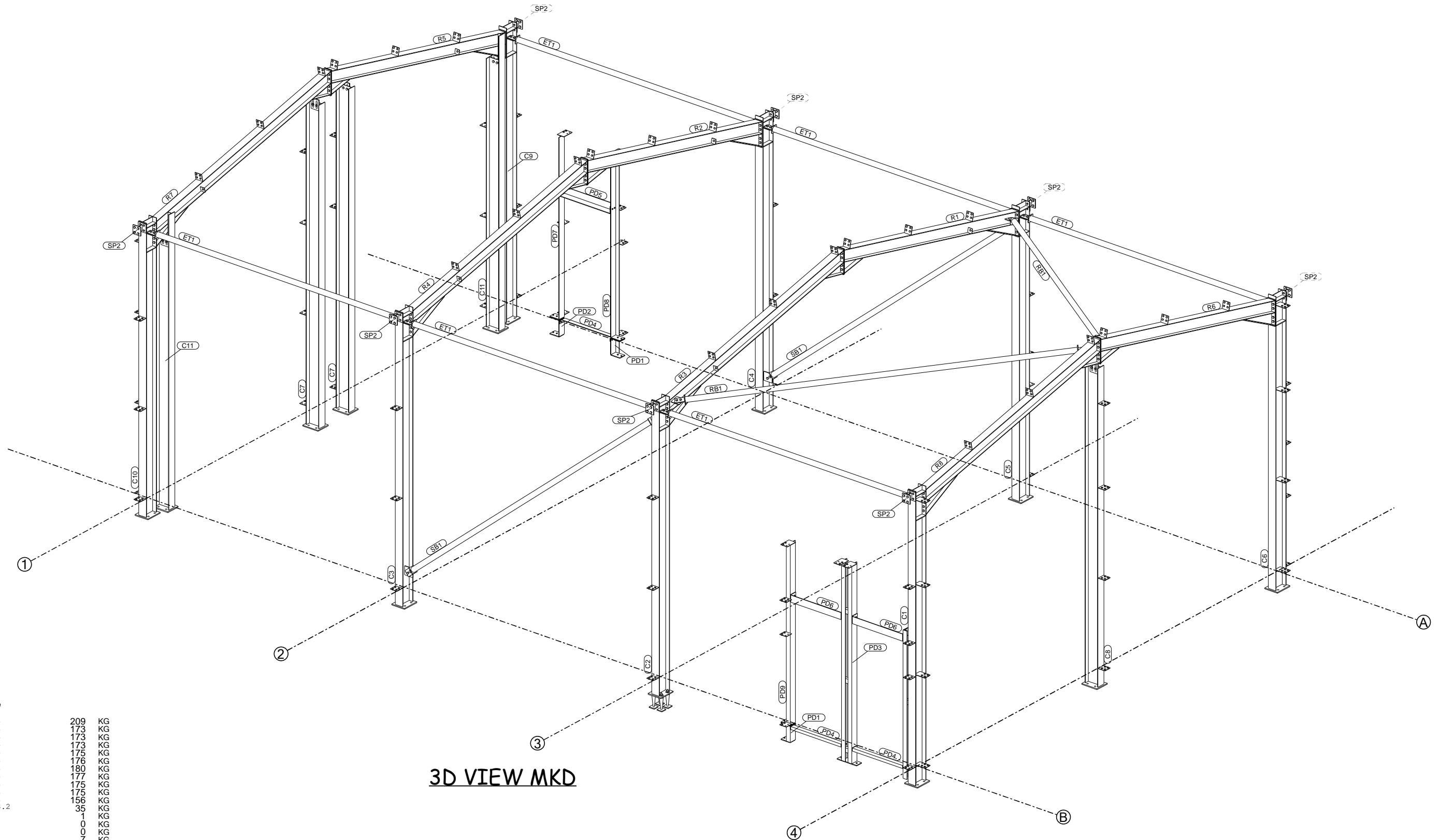


DO NOT SCALE



3D VIEW MKD

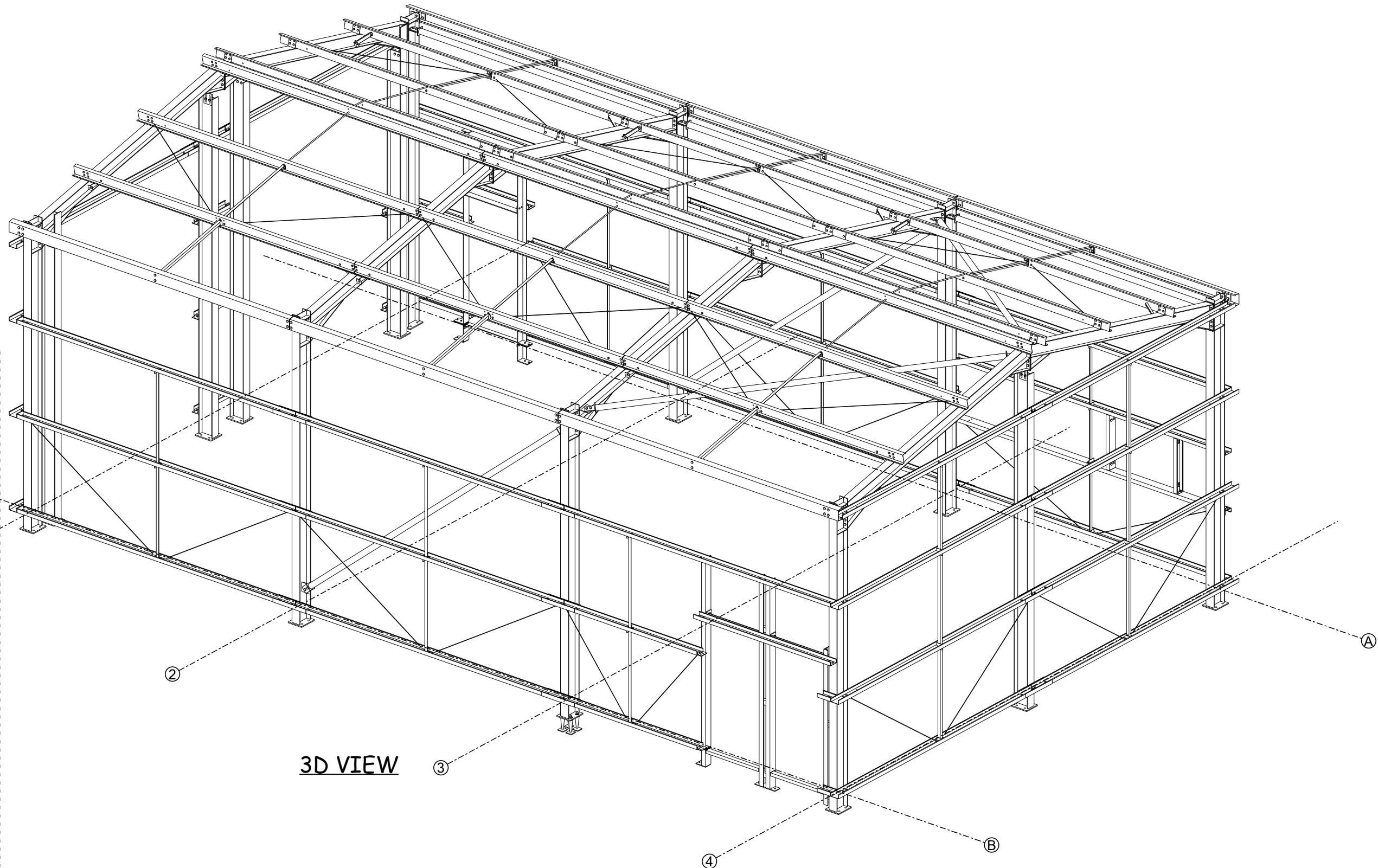
Assy Mark	Qty	Main Profile		
C1	1	UB254*146*31	209	KG
C2	1	UB254*146*31	173	KG
C3	1	UB254*146*31	173	KG
C4	1	UB254*146*31	173	KG
C5	1	UB254*146*31	175	KG
C6	1	UB254*146*31	176	KG
C7	2	UB254*146*31	180	KG
C8	1	UB254*146*31	177	KG
C9	1	UB254*146*31	175	KG
C10	1	UB254*146*31	175	KG
C11	2	UB254*146*31	156	KG
ET1	6	CF-CHS88.9*3.2	35	KG
HDB1	4	D20	1	KG
HDB2	4	D60	0	KG
P1	4	PLT17*30	0	KG
PD1	2	RSA125*75*8	7	KG
PD2	1	RSA125*75*8	7	KG
PD3	1	RSA125*75*8	90	KG
PD4	3	RSA125*50*6	6	KG
PD5	1	RSA120*120*8	17	KG
PD6	2	RSA120*120*8	17	KG
PD7	1	RSA125*75*8	42	KG
PD8	1	RSA125*75*8	42	KG
PD9	1	RSA125*75*8	42	KG
R1	1	UB203*133*25	155	KG
R2	1	UB203*133*25	153	KG
R3	1	UB203*133*25	155	KG
R4	1	UB203*133*25	153	KG
R5	1	UB203*133*25	157	KG
R6	1	UB203*133*25	154	KG
R7	1	UB203*133*25	157	KG
R8	1	UB203*133*25	157	KG
RB1	2	CF-CHS88.9*3.2	44	KG
SB1	2	CF-CHS88.9*3.2	45	KG
SP2	8	PLT10*150	4	KG

Steelwork Finish (uno): S.B.&BLUE

REV MARK	REVISION DESCRIPTION	REVISION DATE
	Shufflebottom Ltd Cross Hands Business Park Cross Hands Llanelli, Carmarthenshire SA14 6RE - Tel: 01269 831831	
		
DRAWING TITLE	3D VIEW MKD	
CONTRACT	STOWMARKET SKIPHIRE	
MODELLED BY	JH	ISSUE DATE
CONTRACT NO	K14212	SCALE 1:30
DRAWING No	G [2]	REVISION No.

FOR APPROVAL

DO NOT SCALE



3D VIEW

Assy Mark	Qty	Main Profile		
C1	1	UB254*146*31	209	KG
C2	1	UB254*146*31	173	KG
C3	1	UB254*146*31	173	KG
C4	1	UB254*146*31	173	KG
C5	1	UB254*146*31	175	KG
C6	1	UB254*146*31	176	KG
C7	2	UB254*146*31	180	KG
C8	1	UB254*146*31	177	KG
C9	1	UB254*146*31	175	KG
C10	1	UB254*146*31	175	KG
C11	2	UB254*146*31	156	KG
CR1	6	MET-PP-86	0	KG
CR2	6	MET-ROUNDLOK	0	KG
CR3	6	MET-ES-142	2	KG
CR4	3	MET-ES-142	2	KG
CR5	3	MET-ES-142	2	KG
CR6	3	MET-ATR	2	KG
CR7	14	MET-SR-142	2	KG
CR8	2	MET-SR-142	2	KG
CR9	1	MET-SR-142	2	KG
CR10	1	MET-SR-142	2	KG
CR11	1	MET-SR-142	2	KG
CR12	18	MET-DIAG-WIRE	2	KG
CR13	2	MET-DIAG-WIRE	0	KG
CR14	4	MET-DIAG-WIRE	0	KG
CR15	1	MET-DIAG-WIRE	0	KG
CR16	1	MET-DIAG-WIRE	0	KG
CR17	2	MET-DIAG-WIRE	0	KG
EB1	2	MET-2-EB170E20*10	31	KG
EB2	2	MET-2-EB170E20*10	31	KG
EB3	2	MET-2-EB170E20*10	30	KG
ET1	6	CF-CHS88.9*3.2	35	KG
HDB1	4	D20	1	KG
HDB2	4	D60	0	KG
F1	4	FL17*30	14	KG
P2	2	MET-2-142Z13	14	KG
P3	2	MET-2-142Z13	15	KG
P4	2	MET-2-142Z13	15	KG
P5	4	MET-2-142Z13	14	KG
P6	4	MET-2-142Z13	15	KG
P7	4	MET-2-142Z13	15	KG
PD1	2	RSA125*75*8	7	KG
PD2	1	RSA125*75*8	7	KG
PD3	1	RSA125*75*8	90	KG
PD4	3	RSA15*50*6	6	KG
PD5	1	RSA120*120*8	17	KG
PD6	2	RSA120*120*8	17	KG
PD7	1	RSA125*75*8	42	KG
PD8	1	RSA125*75*8	42	KG
PD9	1	RSA125*75*8	42	KG
R1	1	UB203*133*25	155	KG
R2	1	UB203*133*25	153	KG
R3	1	UB203*133*25	155	KG
R4	1	UB203*133*25	153	KG
R5	1	UB203*133*25	157	KG
R6	1	UB203*133*25	154	KG
R7	1	UB203*133*25	157	KG
R8	1	UB203*133*25	157	KG
RB1	2	CF-CHS88.9*3.2	44	KG
SA1	12	MET-2-S142Z13	2	KG
SA2	17	MET-2-CS14213	2	KG
SB1	2	CF-CHS88.9*3.2	45	KG
SP1	16	MET-PP-86	0	KG
SP2	8	FL10*150	4	KG
SP3	12	MET-45*45L-STAY	0	KG
SP4	4	MET-TC-142	0	KG
SP5	4	MET-PP-56	0	KG
SR1	2	MET-2-142C13	1	KG
SR2	3	MET-2-142C13	15	KG
SR3	4	MET-2-142C13	13	KG
SR4	2	MET-2-142C13	13	KG
SR5	1	MET-2-142C13	7	KG
SR6	1	MET-2-142C13	4	KG
SR7	6	MET-2-142C13	2	KG
SR8	2	MET-2-142C13	12	KG
SR9	4	MET-2-142C13	14	KG
SR10	1	MET-2-142C13	7	KG
SR11	1	MET-2-142C13	8	KG
SR12	2	MET-2-142C13	3	KG
SR13	4	MET-2-142C13	2	KG
SR14	2	MET-2-142C13	3	KG
SR15	2	MET-2-142C13	15	KG
SR16	2	MET-2-142C13	13	KG
SR17	2	MET-2-142C13	15	KG
SR18	1	MET-2-142C13	15	KG
SR19	1	MET-2-142C13	15	KG
SR20	2	MET-2-142C13	14	KG
SR21	1	MET-2-142C13	7	KG
SR22	1	MET-2-142C13	8	KG

Steelwork Finish (uno) : S.B.&BLUE

REV MARK	REVISION DESCRIPTION	REVISION DATE
	Shufflebottom Ltd Cross Hands Business Park Cross Hands Llanelli, Carmarthenshire SA14 6RE - Tel: 01269 831831	
	DRAWING TITLE 3D VIEW	
	CONTRACT STOWMARKET SKIPHIRE	
	MODELLED BY JH	ISSUE DATE
	CONTRACT NO K14212	SCALE 1:30
	DRAWING No G [3]	REVISION No.



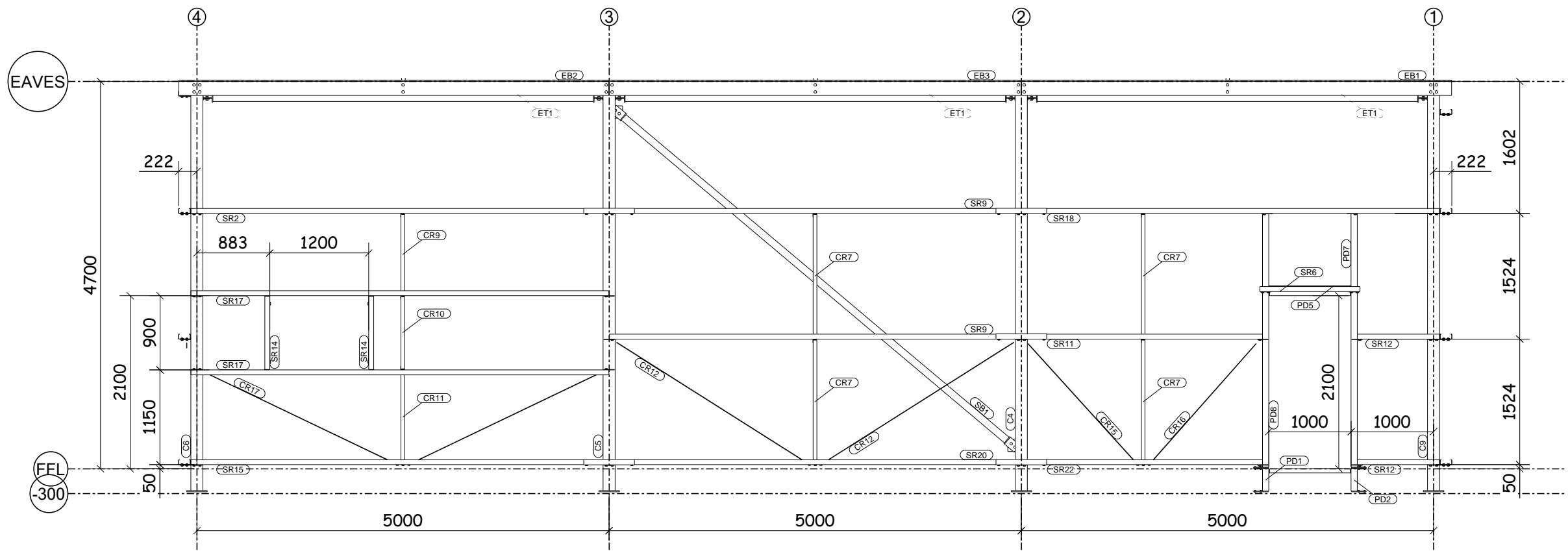
FOR APPROVAL



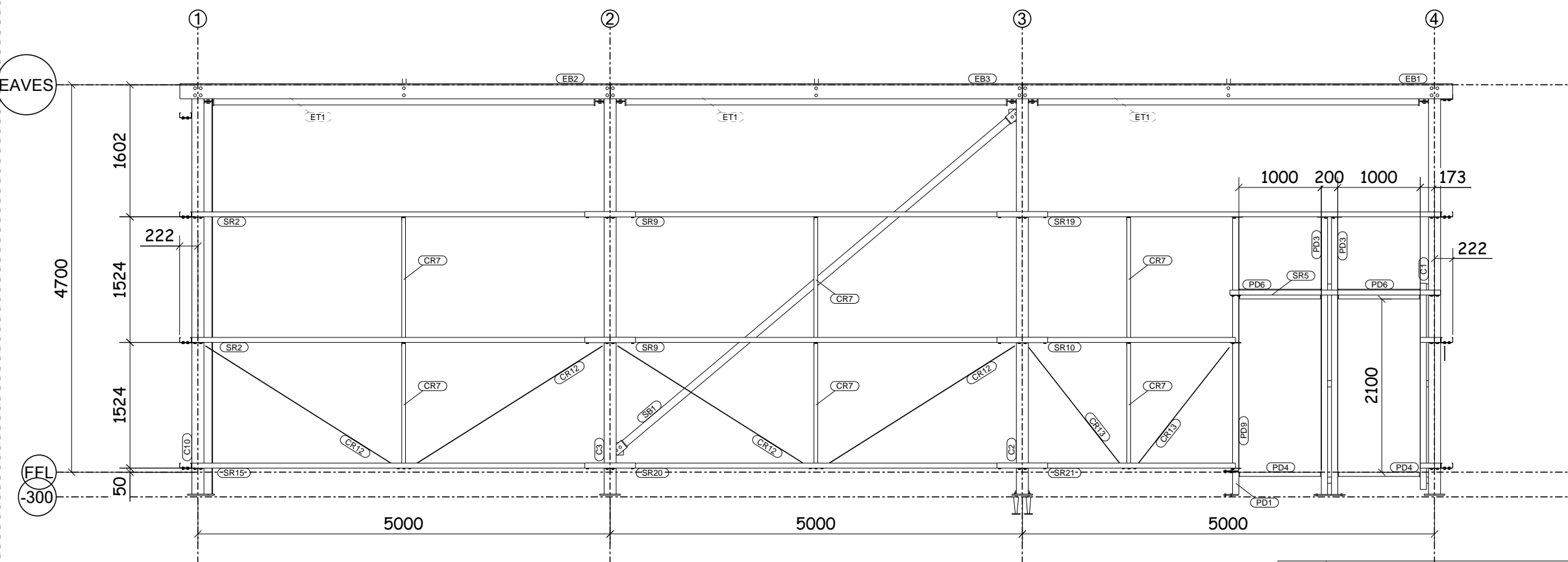




DO NOT SCALE



GRID LINE A



GRID LINE B

Assy Mark	Qty	Main Profile	KG
C1	1	UB254*146*31	209
C2	1	UB254*146*31	173
C3	1	UB254*146*31	173
C4	1	UB254*146*31	173
C5	1	UB254*146*31	175
C6	1	UB254*146*31	176
C9	1	UB254*146*31	175
C10	1	UB254*146*31	175
C11	1	UB254*146*31	156
CR1	6	MET-PP-86	20
CR3	6	MET-ES-142	20
CR7	10	MET-SR-142	22
CR9	1	MET-SR-142	22
CR10	1	MET-SR-142	22
CR11	1	MET-SR-142	22
CR12	6	MET-DIAG-WIRE	22
CR13	2	MET-DIAG-WIRE	0
CR14	2	MET-DIAG-WIRE	0
CR15	1	MET-DIAG-WIRE	0
CR16	1	MET-DIAG-WIRE	0
CR17	2	MET-DIAG-WIRE	0
EB1	2	MET-2-EB170E20+10	31
EB2	2	MET-2-EB170E20+10	31
EB3	2	MET-2-EB170E20+10	30
ET1	6	CF-CHS88.9*3.2	35
HDB1	4	D20	1
HDB2	4	D60	1
F1	4	FLT17*30	0
PD1	2	RSA125*75*8	7
PD2	1	RSA125*75*8	7
PD3	1	RSA125*75*8	9
PD4	3	RSA75*50*6	6
PD5	1	RSA120*120*8	17
PD6	2	RSA120*120*8	17
PD7	1	RSA125*75*8	42
PD8	1	RSA125*75*8	42
PD9	1	RSA125*75*8	42
R1	1	UB203*133*25	155
R2	1	UB203*133*25	155
R3	1	UB203*133*25	155
R4	1	UB203*133*25	153
R5	1	UB203*133*25	157
R6	1	UB203*133*25	154
R7	1	UB203*133*25	157
R8	1	UB203*133*25	157
RB1	1	CF-CHS88.9*3.2	44
SA2	11	MET-2-CS14213	2
SB1	2	CF-CHS88.9*3.2	45
SP1	06	MET-PP-86	0
SP2	8	FLT10*150	0
SP4	4	MET-TC-142	0
SP5	4	MET-PP-56	0
SR1	2	MET-2-142C13	1
SR2	3	MET-2-142C13	15
SR3	4	MET-2-142C13	13
SR4	2	MET-2-142C13	13
SR5	1	MET-2-142C13	7
SR6	1	MET-2-142C13	7
SR7	6	MET-2-142C13	2
SR8	2	MET-2-142C13	12
SR9	4	MET-2-142C13	14
SR10	1	MET-2-142C13	7
SR11	1	MET-2-142C13	8
SR12	2	MET-2-142C13	3
SR14	2	MET-2-142C13	3
SR15	2	MET-2-142C13	15
SR16	2	MET-2-142C13	13
SR17	2	MET-2-142C13	15
SR18	1	MET-2-142C13	15
SR19	1	MET-2-142C13	15
SR20	2	MET-2-142C13	14
SR21	1	MET-2-142C13	7
SR22	1	MET-2-142C13	8

Steelwork Finish (uno) : S.B.&BLUE

REV MARK	REVISION DESCRIPTION	REVISION DATE
	Shufflebottom Ltd Cross Hands Business Park Cross Hands Llanelli, Carmarthenshire SA14 6RE - Tel: 01269 831831	
	DRAWING TITLE: SIDE ELEVATIONS	
	CONTRACT: STOWMARKET SKIPHIRE	
	MODELLED BY: JH	ISSUE DATE:
	CONTRACT NO: K14212	SCALE: 1:30
	DRAWING No: G [7]	REVISION No.:



FOR APPROVAL

