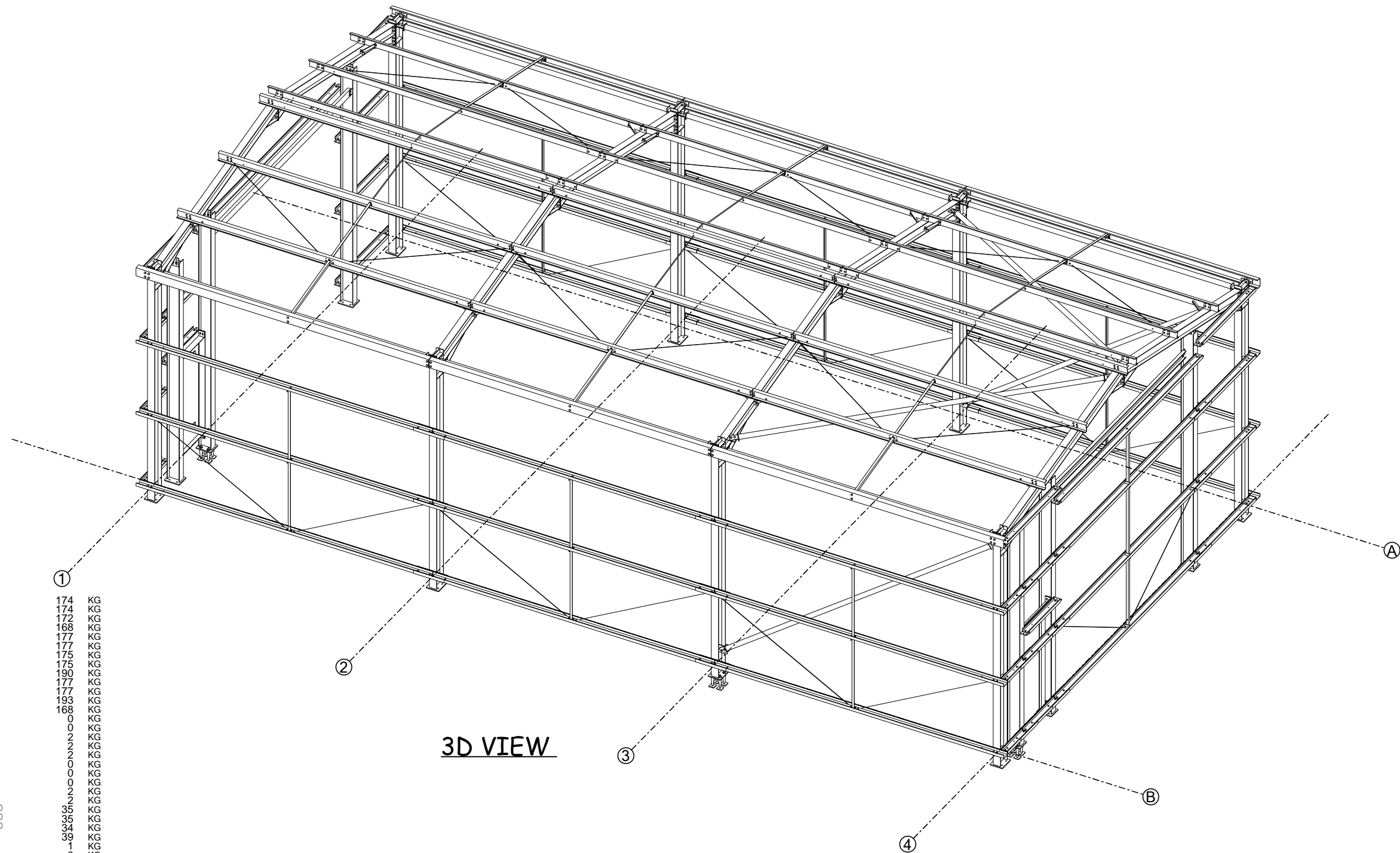




DO NOT SCALE



3D VIEW

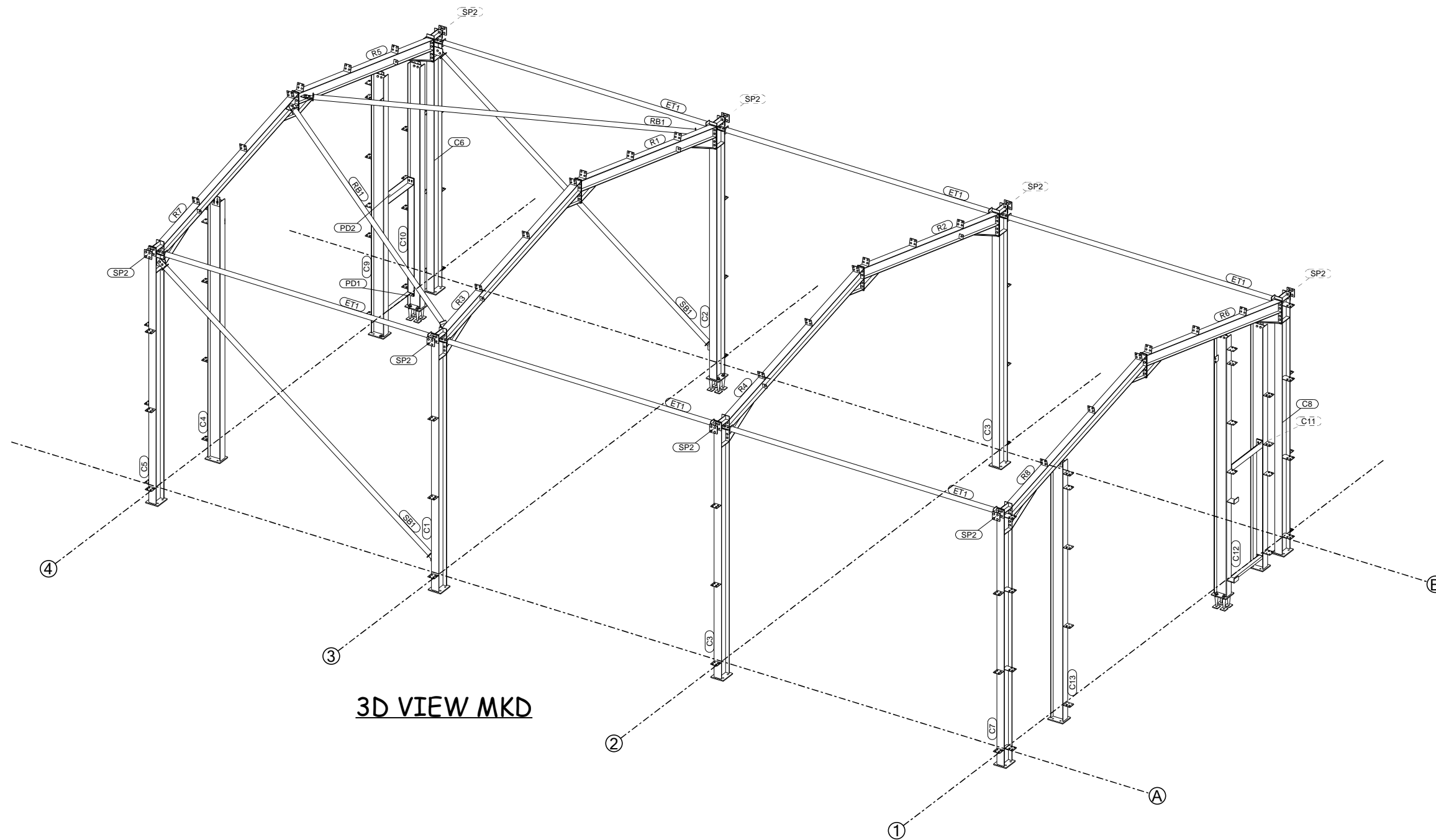
Assy Mark	Qty	Main Profile		
C1	1	UB254*146*31	174	KG
C2	1	UB254*146*31	174	KG
C3	2	UB254*146*31	172	KG
C4	1	UB254*146*31	168	KG
C5	1	UB254*146*31	177	KG
C6	1	UB254*146*31	177	KG
C7	1	UB254*146*31	175	KG
C8	1	UB254*146*31	175	KG
C9	1	UB254*146*31	190	KG
C10	1	UB254*146*31	177	KG
C11	1	UB254*146*31	177	KG
C12	1	UB254*146*31	193	KG
C13	1	UB254*146*31	168	KG
CR1	6	MET-PP-86	0	KG
CR2	6	MET-ROUNDLK	0	KG
CR3	3	MET-ES-142	2	KG
CR4	6	MET-ES-142	2	KG
CR5	3	MET-ES-142	2	KG
CR6	3	MET-ATR	0	KG
CR7	24	MET-DIAG-WIRE	0	KG
CR8	2	MET-DIAG-WIRE	0	KG
CR9	14	MET-SR-142	2	KG
CR10	1	MET-SR-142	2	KG
EB1	2	MET-2-EB170E20+10	35	KG
EB2	2	MET-2-EB170E20+10	35	KG
EB3	2	MET-2-EB170E20+10	34	KG
ET1	6	CF-CHS88.9*3.2	39	KG
HDB1	12	D20	1	KG
HDB2	13	D60	0	KG
F1	13	FL117*30	0	KG
P2	4	MET-2-142Z16	20	KG
P3	2	MET-2-142Z16	20	KG
P4	4	MET-2-142Z16	21	KG
P5	4	MET-2-142Z16	21	KG
P6	2	MET-2-142Z16	21	KG
P7	2	MET-2-142Z16	21	KG
PD1	2	RSA75*50*6	6	KG
PD2	2	RSA120*120*8	17	KG
R1	1	UB203*133*25	155	KG
R2	1	UB203*133*25	153	KG
R3	1	UB203*133*25	155	KG
R4	1	UB203*133*25	153	KG
R5	1	UB203*133*25	160	KG
R6	1	UB203*133*25	158	KG
R7	1	UB203*133*25	157	KG
R8	1	UB203*133*25	155	KG
RB1	2	CF-CHS88.9*3.2	47	KG
SA1	12	MET-2-S142Z16	2	KG
SA2	22	MET-2-CS14214	2	KG
SB1	2	CF-CHS88.9*3.2	48	KG
SP1	16	MET-PP-86	0	KG
SP2	8	FL110*150	4	KG
SP3	12	MET-45*45L-STAY	0	KG
SR1	4	MET-2-142C14	18	KG
SR2	8	MET-2-142C14	18	KG
SR3	2	MET-2-142C14	18	KG
SR4	1	MET-2-142C14	16	KG
SR5	6	MET-2-142C14	4	KG
SR6	1	MET-2-142C14	16	KG
SR7	10	MET-2-142C14	16	KG
SR8	3	MET-2-142C14	16	KG
SR9	6	MET-2-142C14	2	KG
SR10	4	MET-2-142C14	18	KG
SR11	2	MET-2-142C14	16	KG

Steelwork Finish (uno) : S.B.&BLUE

REV MARK	REVISION DESCRIPTION	REVISION DATE
Shufflebottom Ltd Cross Hands Business Park Cross Hands Llanelli, Carmarthenshire SA14 6RE - Tel: 01269 831831		
DRAWING TITLE	3D VIEW	
CONTRACT	STOW MARKET SKIPS	
MODELLER BY	JH	ISSUE DATE
CONTRACT NO	K14222	SCALE 1:40
DRAWING No	G [3]	REVISION No.

FOR CONSTRUCTION

DO NOT SCALE



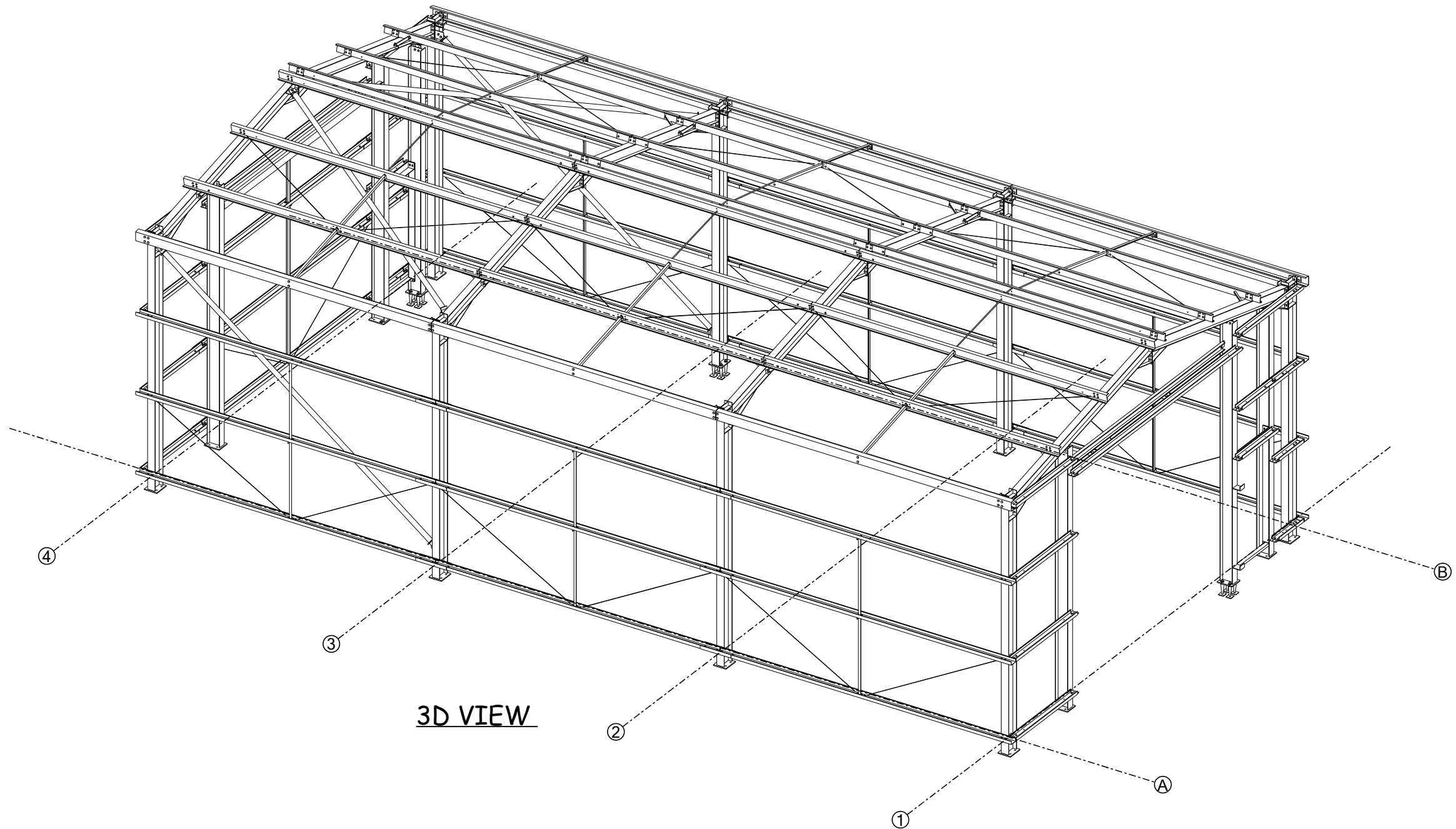
Assy Mark	Qty	Main Profile		
C1	1	UB254*146*31	174	KG
C2	1	UB254*146*31	174	KG
C3	2	UB254*146*31	172	KG
C4	1	UB254*146*31	168	KG
C5	1	UB254*146*31	177	KG
C6	1	UB254*146*31	177	KG
C7	1	UB254*146*31	175	KG
C8	1	UB254*146*31	175	KG
C9	1	UB254*146*31	190	KG
C10	1	UB254*146*31	177	KG
C11	1	UB254*146*31	177	KG
C12	1	UB254*146*31	193	KG
C13	1	UB254*146*31	168	KG
ET1	6	CF-CHS88.9*3.2	39	KG
HDB1	12	D20	0	KG
HDB2	13	D60	1	KG
P1	13	PLT17*30	0	KG
PD1	2	RSA75*50*6	6	KG
PD2	2	RSA120*120*8	17	KG
R1	1	UB203*133*25	155	KG
R2	1	UB203*133*25	153	KG
R3	1	UB203*133*25	155	KG
R4	1	UB203*133*25	153	KG
R5	1	UB203*133*25	160	KG
R6	1	UB203*133*25	158	KG
R7	1	UB203*133*25	157	KG
R8	1	UB203*133*25	155	KG
RB1	2	CF-CHS88.9*3.2	47	KG
SB1	2	CF-CHS88.9*3.2	48	KG
SP2	8	PLT10*150	4	KG

Steelwork Finish (uno) : S.B.&BLUE

REV MARK	REVISION DESCRIPTION	REVISION DATE
	Shufflebottom Ltd Cross Hands Business Park Cross Hands Llanelli, Carmarthenshire SA14 6RE - Tel: 01269 831831	
DRAWING TITLE	3D VIEW MKD	
CONTRACT	STOW MARKET SKIPS	
MODELLED BY	JH	ISSUE DATE
CONTRACT NO	K14222	SCALE 1:40
DRAWING No	G [4]	REVISION No.

FOR CONSTRUCTION

DO NOT SCALE



3D VIEW

Assy Mark	Qty	Main Profile		
C1	1	UB254*146*31	174	KG
C2	1	UB254*146*31	174	KG
C3	2	UB254*146*31	172	KG
C4	1	UB254*146*31	168	KG
C5	1	UB254*146*31	177	KG
C6	1	UB254*146*31	177	KG
C7	1	UB254*146*31	175	KG
C8	1	UB254*146*31	175	KG
C9	1	UB254*146*31	190	KG
C10	1	UB254*146*31	177	KG
C11	1	UB254*146*31	177	KG
C12	1	UB254*146*31	193	KG
C13	1	UB254*146*31	168	KG
CR1	6	MET-PP-86	0	KG
CR2	6	MET-ROUNDLK	0	KG
CR3	3	MET-ES-142	2	KG
CR4	6	MET-ES-142	2	KG
CR5	3	MET-ES-142	2	KG
CR6	3	MET-ATR	0	KG
CR7	24	MET-DIAG-WIRE	0	KG
CR8	2	MET-DIAG-WIRE	0	KG
CR9	14	MET-SR-142	2	KG
CR10	1	MET-SR-142	2	KG
EB1	2	MET-2-EB170E20+10	35	KG
EB2	2	MET-2-EB170E20+10	35	KG
EB3	2	MET-2-EB170E20+10	34	KG
ET1	6	CF-CHS88.9*3.2	39	KG
HDB1	12	D20	1	KG
HDB2	13	D60	0	KG
F1	13	FL117*30	0	KG
P2	4	MET-2-142Z16	20	KG
P3	2	MET-2-142Z16	20	KG
P4	4	MET-2-142Z16	21	KG
P5	4	MET-2-142Z16	21	KG
P6	2	MET-2-142Z16	21	KG
P7	2	MET-2-142Z16	21	KG
PD1	2	RSA75*50*6	6	KG
PD2	2	RSA120*120*8	17	KG
R1	1	UB203*133*25	155	KG
R2	1	UB203*133*25	153	KG
R3	1	UB203*133*25	155	KG
R4	1	UB203*133*25	153	KG
R5	1	UB203*133*25	160	KG
R6	1	UB203*133*25	158	KG
R7	1	UB203*133*25	157	KG
R8	1	UB203*133*25	155	KG
RB1	2	CF-CHS88.9*3.2	47	KG
SA1	12	MET-2-S142Z16	2	KG
SA2	22	MET-2-CS14214	2	KG
SB1	2	CF-CHS88.9*3.2	48	KG
SP1	16	MET-PP-86	0	KG
SP2	8	FL110*150	4	KG
SP3	12	MET-45*45L-STAY	0	KG
SR1	4	MET-2-142C14	18	KG
SR2	8	MET-2-142C14	18	KG
SR3	2	MET-2-142C14	18	KG
SR4	1	MET-2-142C14	16	KG
SR5	6	MET-2-142C14	4	KG
SR6	1	MET-2-142C14	16	KG
SR7	10	MET-2-142C14	16	KG
SR8	3	MET-2-142C14	16	KG
SR9	6	MET-2-142C14	2	KG
SR10	4	MET-2-142C14	18	KG
SR11	2	MET-2-142C14	16	KG

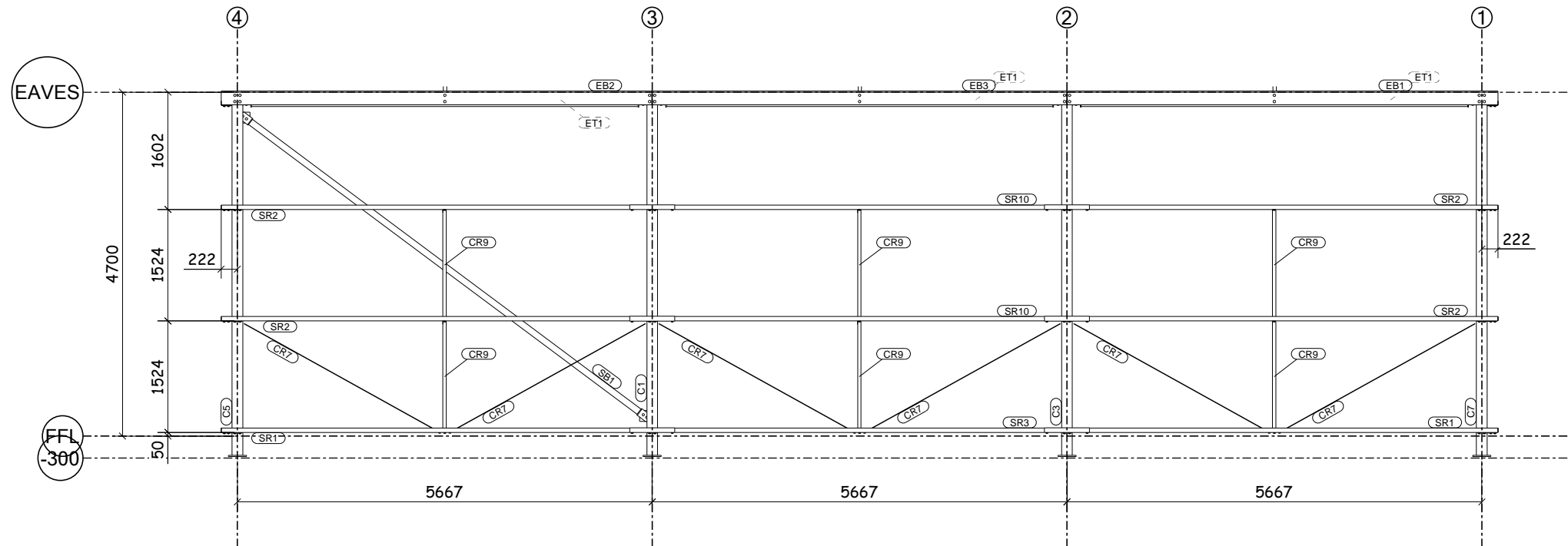
Steelwork Finish (uno) : S.B.&BLUE

REV MARK	REVISION DESCRIPTION	REVISION DATE
<p>Shufflebottom Ltd                      Cross Hands Business Park                      Cross Hands                      Llanelli, Carmarthenshire                      SA14 6RE - Tel: 01269 831831</p> 		
DRAWING TITLE 3D VIEW		
CONTRACT STOW MARKET SKIPS		
MODELLED BY JH	ISSUE DATE	
CONTRACT NO K14222	SCALE	1:40
DRAWING No G [5]	REVISION No.	

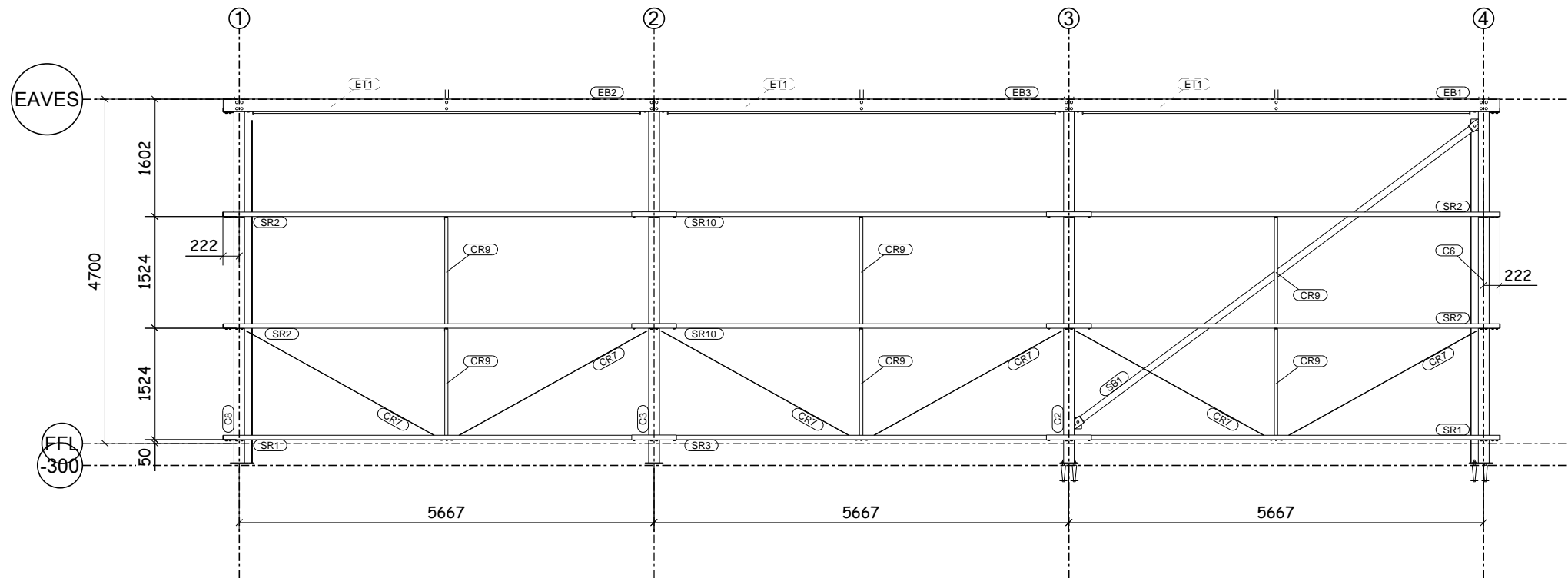
FOR CONSTRUCTION



DO NOT SCALE



GRID LINE A



GRID LINE B

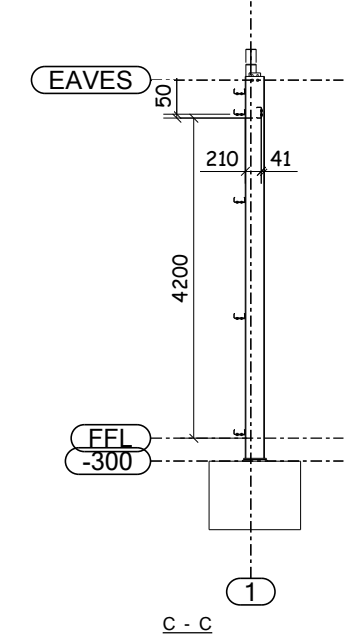
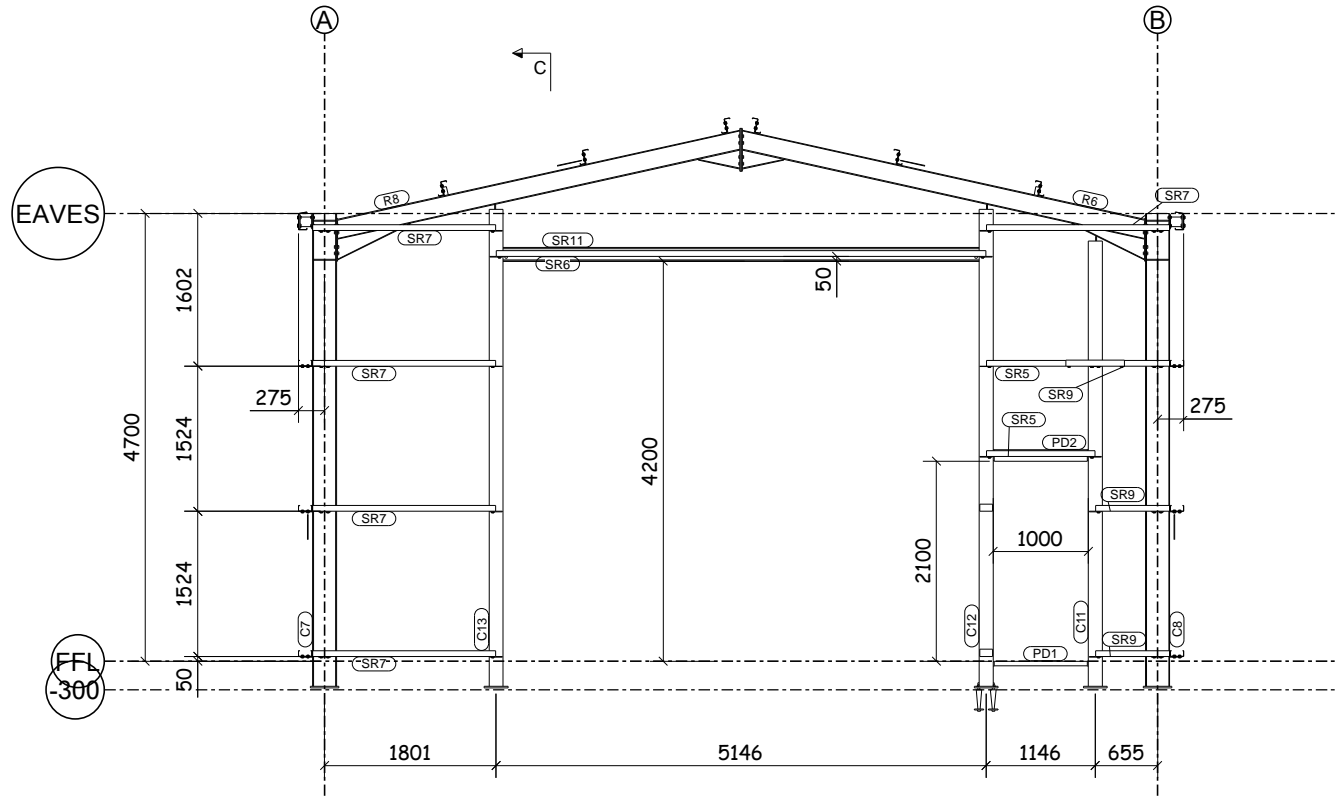
Assy Mark	Qty	Main Profile		
C1	1	UB254*146*31	174	KG
C2	1	UB254*146*31	174	KG
C3	2	UB254*146*31	172	KG
C5	1	UB254*146*31	177	KG
C6	1	UB254*146*31	177	KG
C7	1	UB254*146*31	175	KG
C8	1	UB254*146*31	175	KG
C10	1	UB254*146*31	177	KG
C11	1	UB254*146*31	177	KG
CR1	6	MET-PP-86	0	KG
CR4	6	MET-ES-142	2	KG
CR7	12	MET-DIAG-WIRE	0	KG
CR9	12	MET-SR-142	2	KG
EB1	2	MET-2-EB170E20+10	35	KG
EB2	2	MET-2-EB170E20+10	35	KG
EB3	2	MET-2-EB170E20+10	34	KG
ET1	6	CF-CHS88.9*3.2	39	KG
HDB1	6	D20	1	KG
HDB2	6	D60	0	KG
P1	6	PLT17*30	0	KG
R1	1	UB203*133*25	155	KG
R2	1	UB203*133*25	153	KG
R3	1	UB203*133*25	155	KG
R4	1	UB203*133*25	153	KG
R5	1	UB203*133*25	160	KG
R6	1	UB203*133*25	159	KG
R7	1	UB203*133*25	157	KG
R8	1	UB203*133*25	155	KG
RB1	2	CF-CHS88.9*3.2	47	KG
SA2	16	MET-2-CS14214	2	KG
SB1	2	CF-CHS88.9*3.2	48	KG
SP1	16	MET-PP-86	0	KG
SP2	8	FLT10*150	4	KG
SR1	4	MET-2-142C14	18	KG
SR2	8	MET-2-142C14	18	KG
SR3	2	MET-2-142C14	18	KG
SR7	10	MET-2-142C14	6	KG
SR9	6	MET-2-142C14	2	KG
SR10	4	MET-2-142C14	18	KG

Steelwork Finish (uno) : S.B.&BLUE

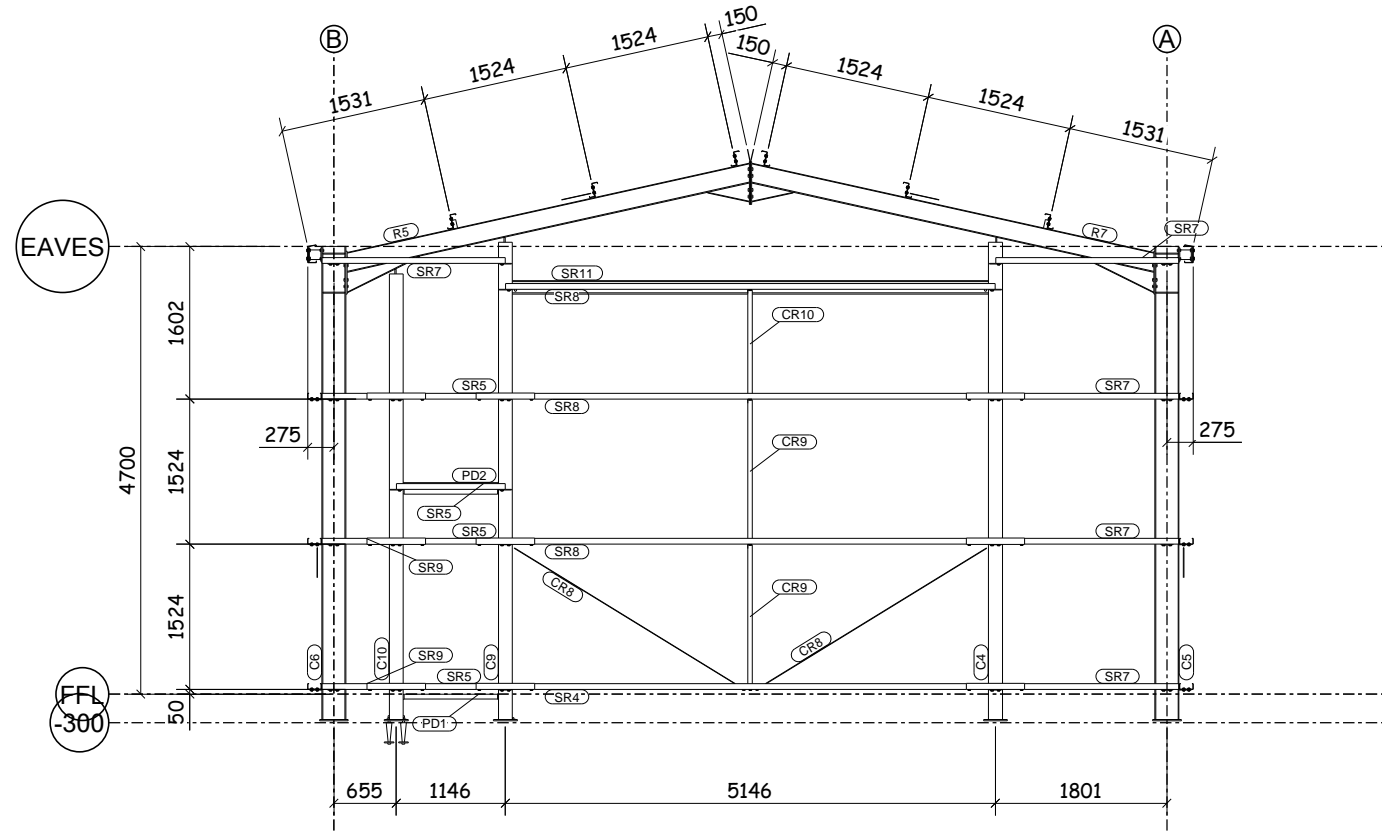
REV MARK	REVISION DESCRIPTION	REVISION DATE
	Shufflebottom Ltd Cross Hands Business Park Cross Hands Llanelli, Carmarthenshire SA14 6RE - Tel: 01269 831831	
		
	DRAWING TITLE: SIDE ELEVATIONS	
	CONTRACT: STOW MARKET SKIPS	
	MODELLED BY: JH	ISSUE DATE
	CONTRACT NO: K14222	SCALE: 1:40
	DRAWING No: G [7]	REVISION No.

FOR CONSTRUCTION

DO NOT SCALE



GRID LINE 1



GRID LINE 4

Assy Mark	Qty	Main Profile	Weight (KG)
C4	1	UB254*146*31	168
C5	1	UB254*146*31	177
C6	1	UB254*146*31	177
C7	1	UB254*146*31	175
C8	1	UB254*146*31	175
C9	1	UB254*146*31	190
C10	1	UB254*146*31	177
C11	1	UB254*146*31	177
C12	1	UB254*146*31	193
C13	1	UB254*146*31	168
CR7	8	MET-DIAG-WIRE	0
CR8	2	MET-DIAG-WIRE	0
CR9	2	MET-SR-142	0
CR10	1	MET-SR-142	2
EB1	2	MET-2-EB170E20+10	35
EB2	2	MET-2-EB170E20+10	35
ET1	4	CF-CHS88.9*3.2	39
HDB1	8	D20	1
HDB2	9	D60	0
F1	9	PLT17*30	0
P4	4	MET-2-142Z16	21
P5	4	MET-2-142Z16	21
P6	2	MET-2-142Z16	21
P7	2	MET-2-142Z16	21
PD1	2	RSA75*50*6	6
PD2	2	RSA120*120*8	17
R5	1	UB203*133*25	160
R6	1	UB203*133*25	158
R7	1	UB203*133*25	157
R8	1	UB203*133*25	155
RB1	2	CF-CHS88.9*3.2	47
SA2	10	MET-2-CS14214	2
SB1	2	CF-CHS88.9*3.2	48
SP1	8	MET-PP-86	0
SP2	4	FLT10*150	4
SP3	4	MET-45*45L-STAY	0
SR1	4	MET-2-142C14	18
SR2	8	MET-2-142C14	18
SR4	1	MET-2-142C14	16
SR5	6	MET-2-142C14	4
SR6	1	MET-2-142C14	16
SR7	10	MET-2-142C14	6
SR8	3	MET-2-142C14	16
SR9	6	MET-2-142C14	2
SR11	2	MET-2-142C14	16

Steelwork Finish (uno) : S.B. & BLUE

REV MARK	REVISION DESCRIPTION	REVISION DATE
	Shufflebottom Ltd Cross Hands Business Park Cross Hands Llanelli, Carmarthenshire SA14 6RE - Tel: 01269 831831	
	DRAWING TITLE: GABLE ELEVATIONS	
	CONTRACT: STOW MARKET SKIPS	
	MODELLED BY: JH	ISSUE DATE:
	CONTRACT NO: K14222	SCALE: 1:40 1:50
	DRAWING No: G [8]	REVISION No.:



FOR CONSTRUCTION