

Contract Ref No:

Client:

Project Name:

Broadland Windows Limited
 148 Hellesdon Park Road
 Norwich
 Norfolk NR6 5DR
 Telephone Norwich (01603) 483002
 Fax Norwich (01603) 485946
 eMail info@broadlandwindows.co.uk

Date:

Drawn:



Drawing Title:

STABLE DOOR

DESIGN & SECTIONS

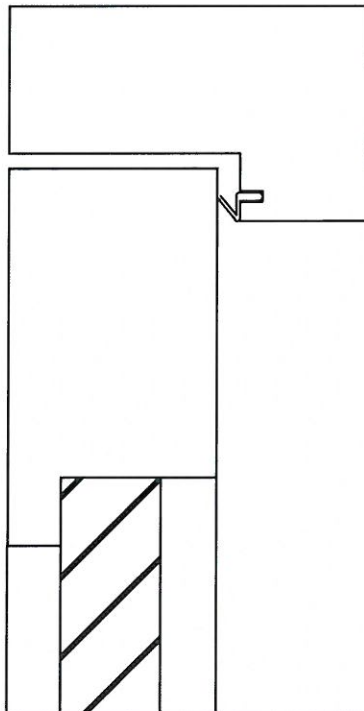
SCALE 1:16

Drawing No:

Rev
No:



open in



Contract Ref No:

Client:

Project Name:

Broadland Windows Limited
148 Hellesdon Park Road
Norwich
Norfolk NR6 5DR
Telephone Norwich (01603) 483002
Fax Norwich (01603) 485946
eMail info@broadlandwindows.co.uk

Date:

Drawn:



Drawing Title:

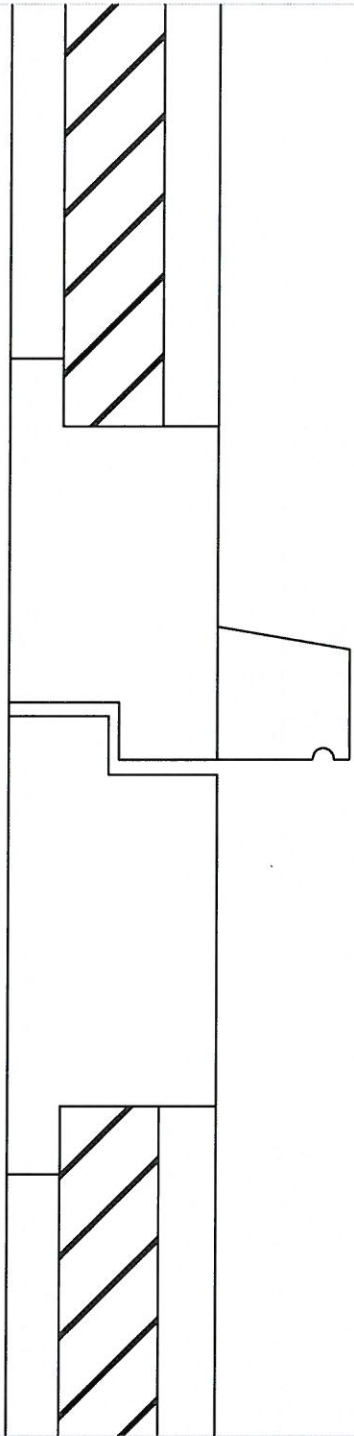
STABLE DOOR

HEAD SECTION

SCALE 1:2

Drawing No:

Rev
No:



Contract Ref No:

Client:

Project Name:

Broadland Windows Limited
148 Hellesdon Park Road
Norwich
Norfolk NR6 5DR
Telephone Norwich (01603) 463002
Fax Norwich (01603) 463946
eMail info@broadlandwindows.co.uk

Date:

Drawn:



Drawing Title:

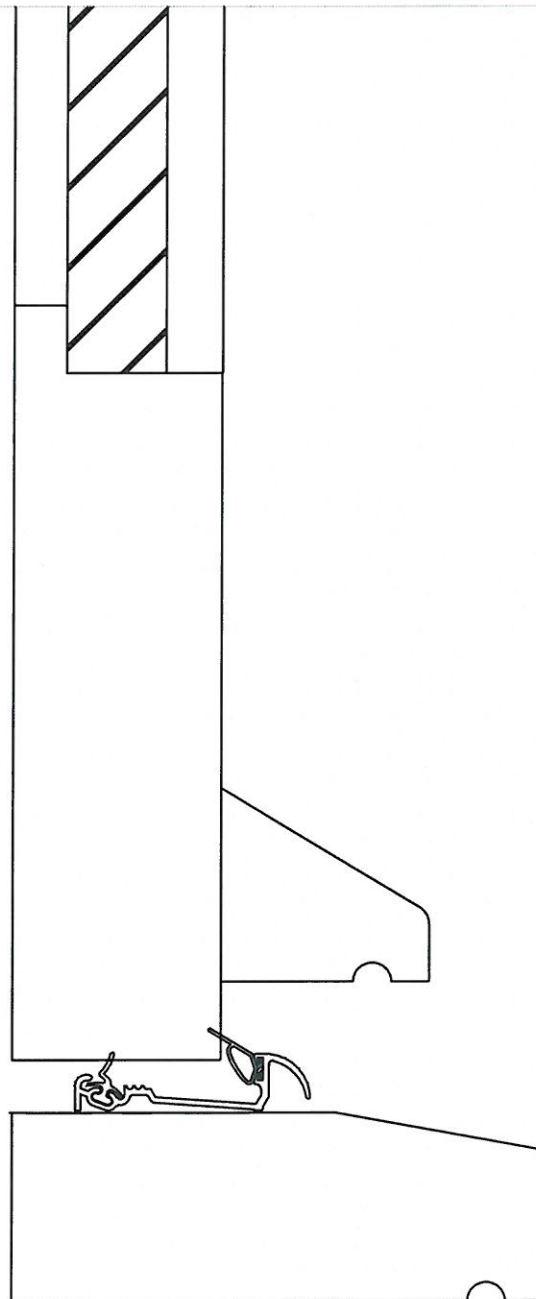
STABLE DOOR

MIDRAIL SECTION

SCALE 1:2

Drawing No:

Rev
No:



Contract Ref No:

Client:

Project Name:

Broadland Windows Limited
148 Hellesdon Park Road
Norwich
Norfolk NR6 5DR
Telephone Norwich (01603) 483002
Fax Norwich (01603) 485946
eMail info@broadlandwindows.co.uk

Date:

Drawn:



Drawing Title:

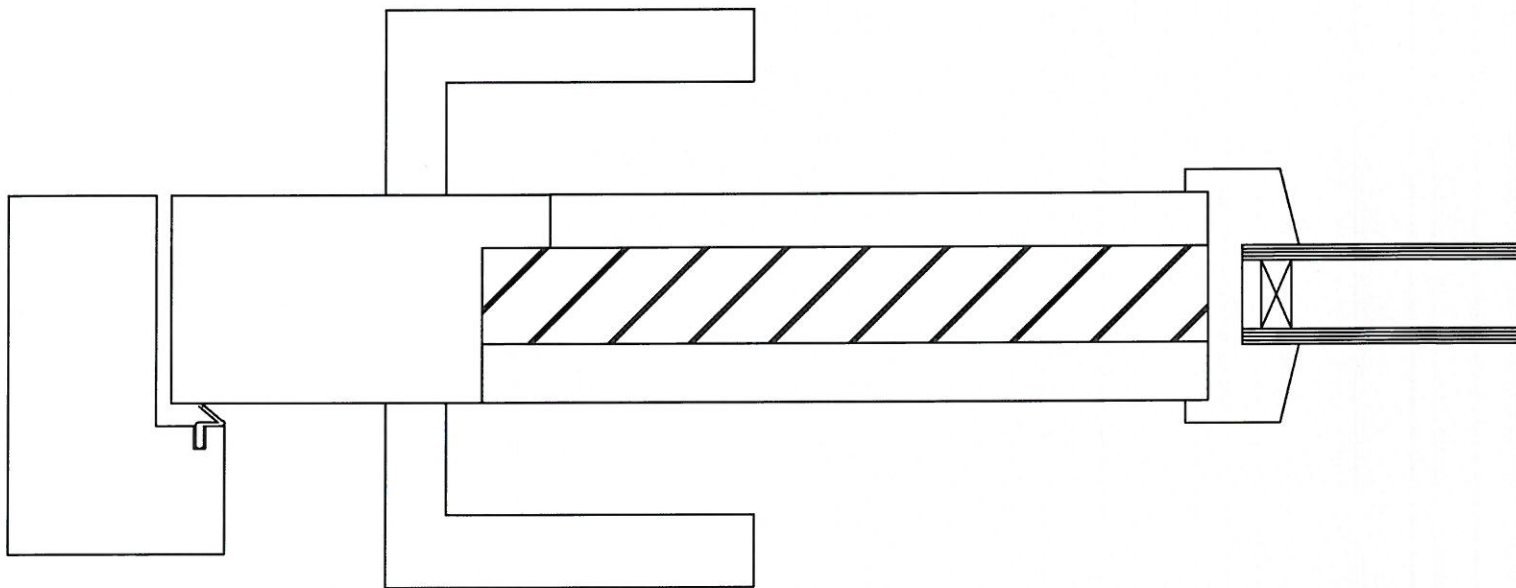
STABLE DOOR

CILL SECTION

SCALE 1:2

Drawing No:

Rev
No:



Contract Ref No:

Client:

Project Name:

Broadland Windows Limited
148 Hellesdon Park Road
Norfolk NR6 5DR
Telephone Norwich (01603) 483002
Fax Norwich (01603) 485946
eMail info@broadlandwindows.co.uk

Date:

Drawn:



Drawing Title:

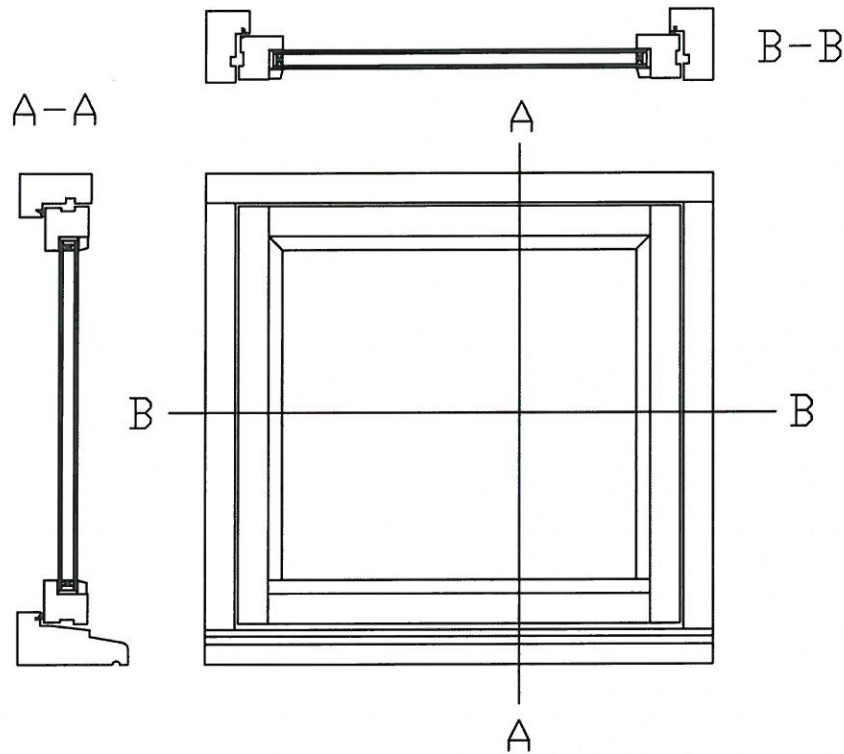
STABLE DOOR

JAMB SECTION

SCALE 1:2

Drawing No:

Rev
No:



Contract Ref No:

Client:

Project Name:

Broadland Windows Limited
 148 Hellesdon Park Road
 Norwich
 Norfolk NR6 5DR
 Telephone Norwich (01603) 483002
 Fax Norwich (01603) 485946
 eMail info@broadlandwindows.co.uk

Date:

Drawn:



Drawing Title:

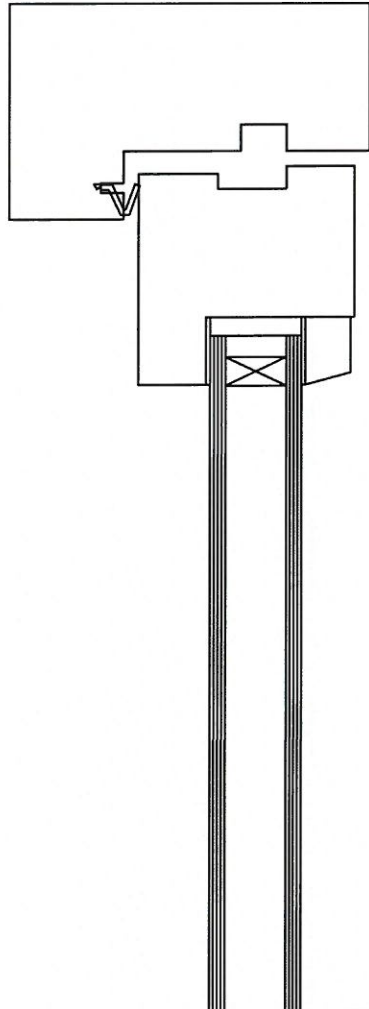
TRADITIONAL WINDOW

DESIGN & SECTIONS

SCALE 1:10

Drawing No:

Rev
No:



Contract Ref No:

Client:

Project Name:

Broadland Windows Limited
148 Hellesdon Park Road
Norwich
Norfolk NR6 5DR
Telephone Norwich (01603) 483002
Fax Norwich (01603) 485946
eMail info@broadlandwindows.co.uk

Date:

Drawn:



Drawing Title:

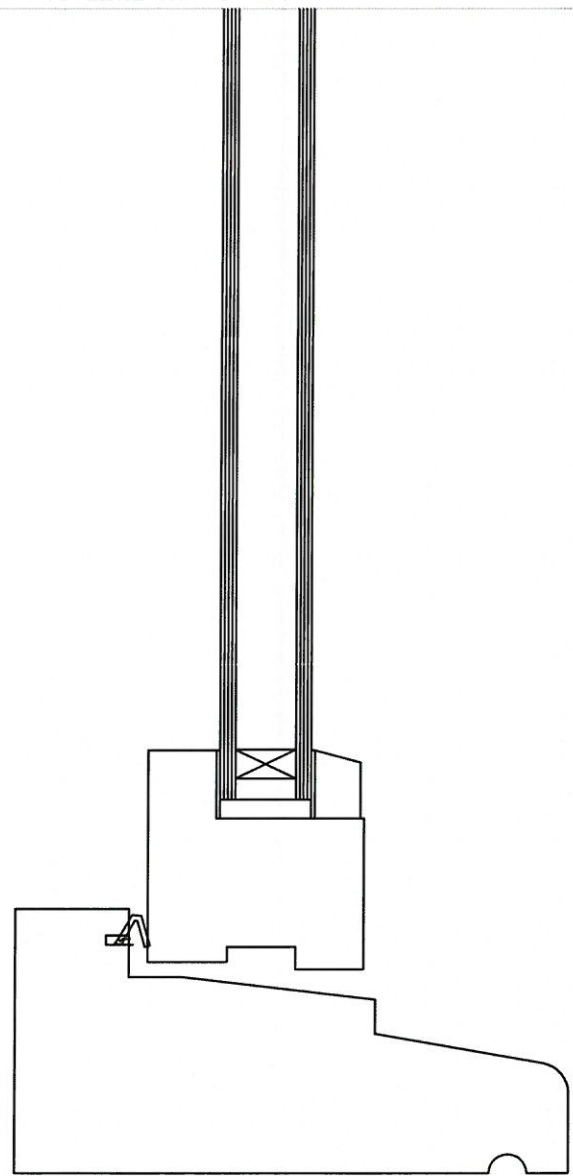
WINDOW

HEAD SECTION

SCALE 1:2

Drawing No:

Rev
No:



Contract Ref No:

Client:

Project Name:

Broadland Windows Limited
148 Hellesdon Park Road
Norwich
Norfolk NR6 5DR
Telephone Norwich (01603) 483002
Fax Norwich (01603) 485946
eMail info@broadlandwindows.co.uk

Date:

Drawn:



Drawing Title:

WINDOW

CILL SECTION

SCALE 1:2

Drawing No:

Rev No:



Contract Ref No:

Client:

Project Name:

Broadland Windows Limited
148 Hellesdon Park Road
Norwich
Norfolk NR6 5DR
Telephone Norwich (01603) 483002
Fax Norwich (01603) 485946
eMail info@broadlandwindows.co.uk

Date:

Drawn:



Drawing Title:

WINDOW

JAMB SECTION

SCALE 1:2

Drawing No:

Rev
No: