

Heating Hot water Renewables

ecoTEC plus

System boiler 12, 15, 18, 24, 30 and 37kW



10
Year
Guarantee

Key features and benefits

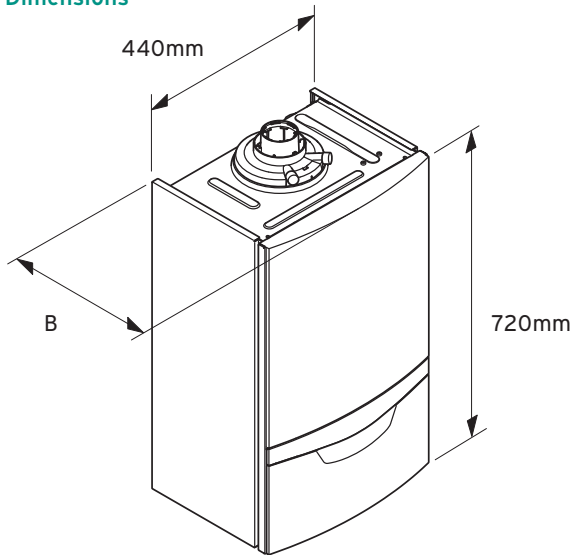
- 10 year guarantee available when registered on Vaillant Advance and installed with our Boiler Protection Kit
- Boiler Plus compliant with time and temperature controls - Install with VRT 15, timesWITCH 160 and VR 66 wiring centre for the easiest way to meet Boiler Plus
- Premium quality components, ensuring highest reliability and performance
- Wide modulation of up to 1:6 - adapts perfectly to all systems in every situation
- Patented stainless steel heat exchanger, providing superior heat transfer and highly efficient performance
- Awarded Quiet Mark accreditation - one of quietest boilers in the market, designed for a peaceful home
- Easy installation and maintenance - accessible layout allows all components to be replaced from the boiler front



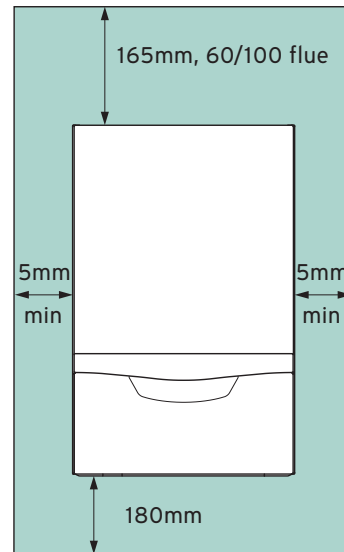
 **Vaillant**

Comfort for your home

Dimensions



Clearances



Model	Dimension B
ecoTEC plus 612, 615, 618, 618 LPG, 624	338
ecoTEC plus 630, 630 LPG	372
ecoTEC plus 637	406

NOTE: all measurements are in mm

Minimum clearances	Unit	ecoTEC plus 612, 615, 618, 618 LPG, 624, 630, 630 LPG and 637
Side left and right	mm	5
Top	mm	165
Top (if using rear flue)	mm	-
Below	mm	180
Front	mm	500

Technical data	Unit of measure	ecoTEC plus 612	ecoTEC plus 615	ecoTEC plus 618	ecoTEC plus 618 LPG	ecoTEC plus 624	ecoTEC plus 630	ecoTEC plus 630 LPG	ecoTEC plus 637	
General										
Article number		0010021828	0010021829	0010021830	0010021831	0010021832	0010021833	0010021834	0010021835	
Boiler dimensions (HxWxD)	mm	720 x 440 x 338					720 x 440 x 372		720 x 440 x 406	
Heating										
Nominal heat output range at 50/30°C (Condensing mode)	kW	3.3 - 13.2	3.3 - 16.7	4.1 - 20.0	5.4 - 19.4	5.8 - 26.4	6.5 - 32.8	9.4 - 31.9	7.1 - 40.5	
Nominal heat output range at 80/60°C (Non condensing mode)	kW	3.0 - 12.2	3.0 - 15.4	3.8 - 18.5	5.0 - 18.2	5.2 - 24.4	5.8 - 30.4	8.5 - 30.4	6.4 - 37.6	
Maximum flow temperature	°C	85								
Flow temperature range	°C	30 - 80								
Flow temperature factory setting	°C	75								
Approximate condensate volume at 50/30°C	litres/hr	1.2	1.6	1.9	2.5	3.1	3.8			
Mechanical										
Boiler lift weight (Dry boiler)	kg	36				37	38	43		
Maximum horizontal flue length 60/100	m	22.0		12.0		5.5				
Performance										
NOx (En 15502-2-1)	mg/kWh	23	23	29	39	35	29	64	36	
ErP efficiency (Heating / DHW)	A, A/A, A+	A / -								
ErP efficiency	%	94								
ErP decibel rating (sound power)	dBa	43		47		46		50		

Vaillant Group UK Ltd.

Nottingham Road, Belper, Derbyshire DE56 1JT

Telephone 0330 678 0878

www.vaillant.co.uk

info@vaillant.co.uk