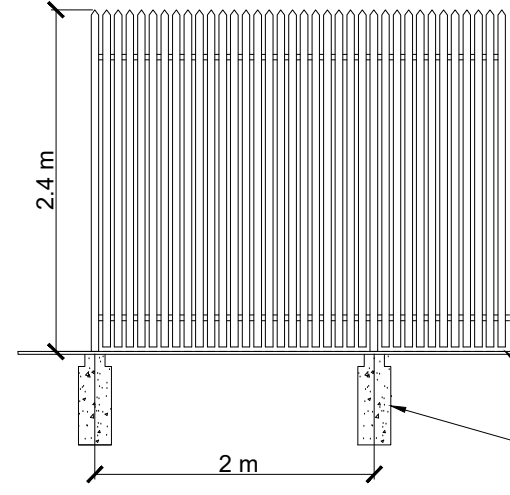
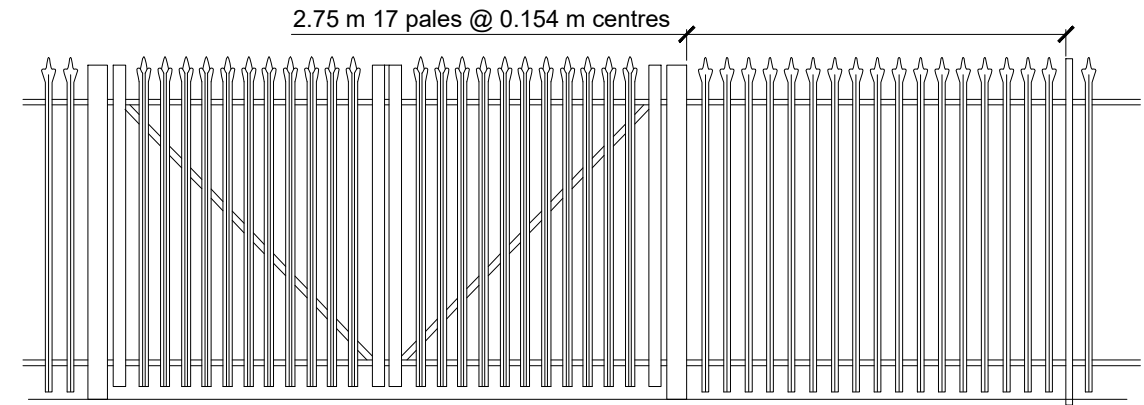


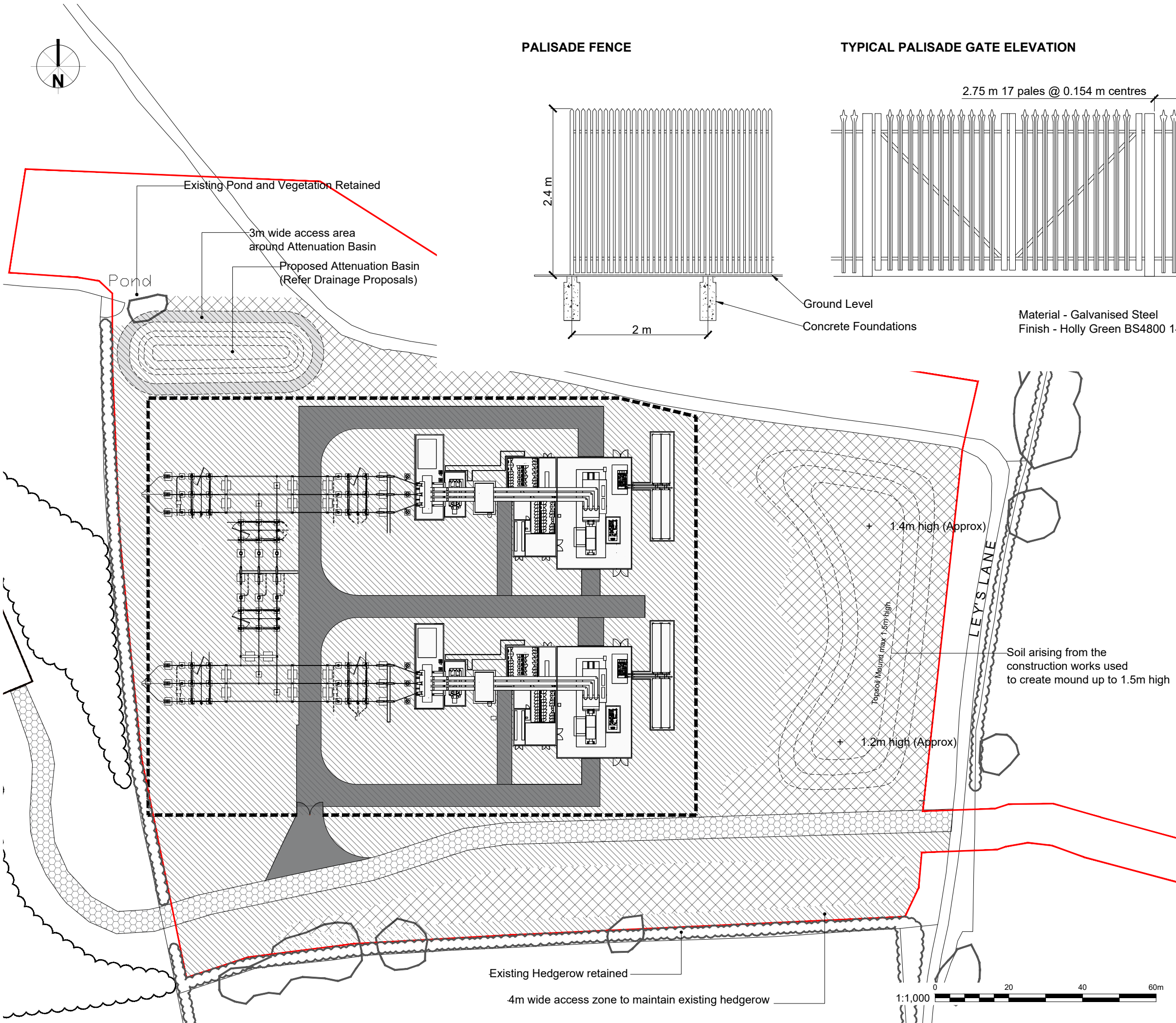
**PALISADE FENCE**



**TYPICAL PALISADE GATE ELEVATION**



Material - Galvanised Steel  
Finish - Holly Green BS4800 14-C-39



**Legend**

- Application Boundary
- Topsoil 100mm Deep (Seeded Area. Ref Planting Plan)
- Topsoil 600mm Deep (Tree /Hedgerow Planting. Ref Planting plan)
- Tarmacadam Access Track to Yaxley Sub-Station retained for proposed development
- Proposed tarmacadam surface to match existing access track (Flush concrete edgings)
- Proposed Earth Mounding (Indicative 0.5m Contours)
- Proposed Palisade Fence (2.4 m high Holly Green Colour - Refer to Detail)

Client <b>Conrad Energy Limited</b>				
Project <b>Synchronous Condensers, Yaxley Application DC/22/04021 - Condition 13</b>				
Drawing Title <b>Landscape Mitigation - Hard Works</b>				
Created by <b>CL</b>	Reviewer <b>NR</b>	Sheet Size <b>A3</b>	Scale <b>1:1000</b>	Date Created <b>28.04.23</b>
Drawing Nr. <b>059-12-02</b>				Revision <b>B</b>
DRaW (UK) Ltd Morwick Hall York Road Leeds LS15 4TA t: 0113 8232871 www.draw-ltd.com				

