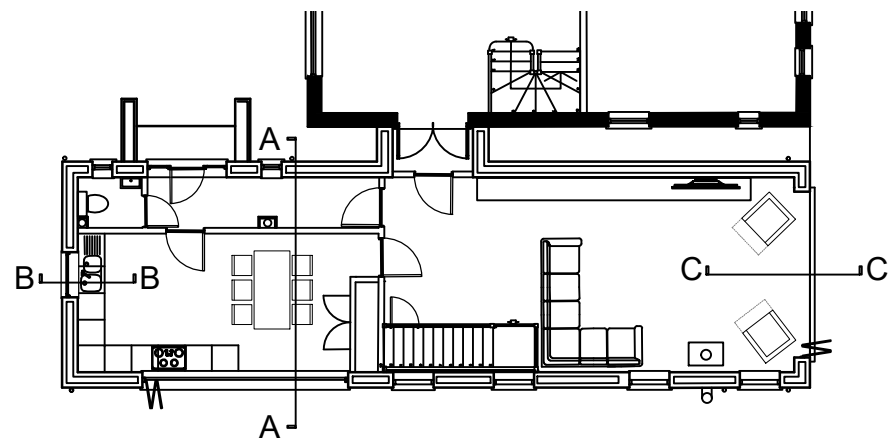
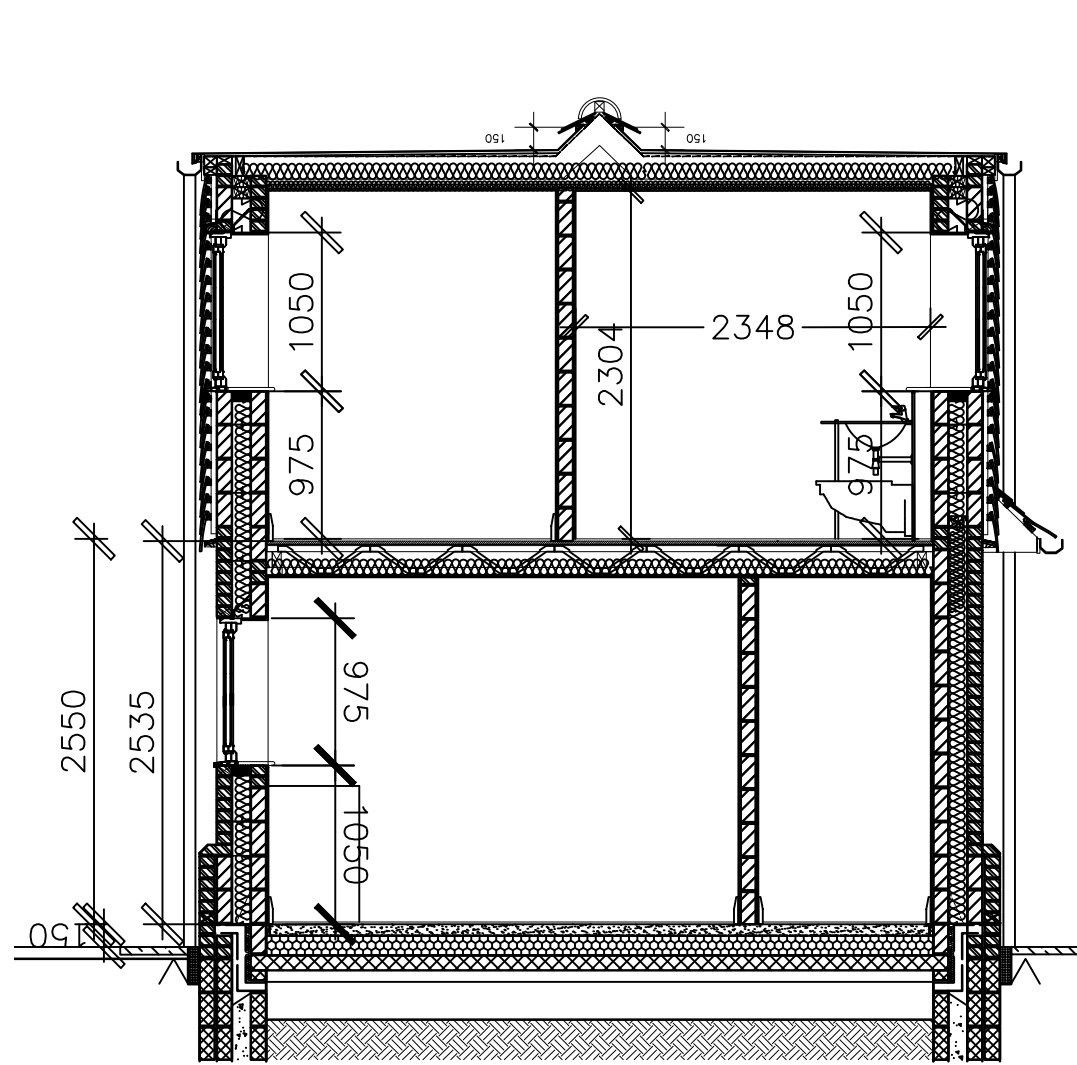


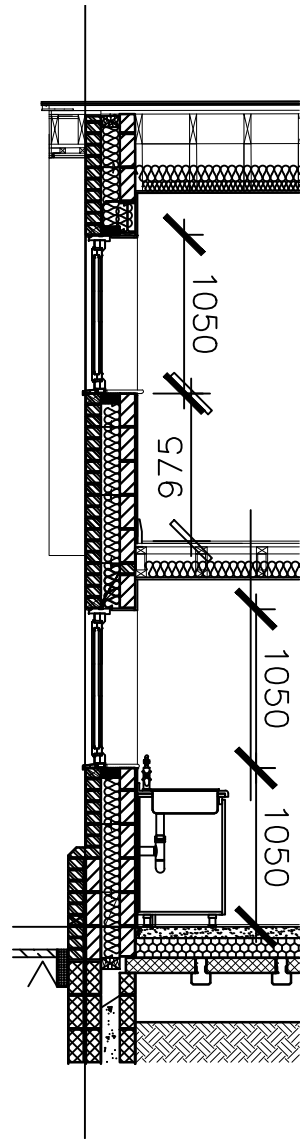
Contractors and consultants  
are not to scale dimensions  
from this drawing



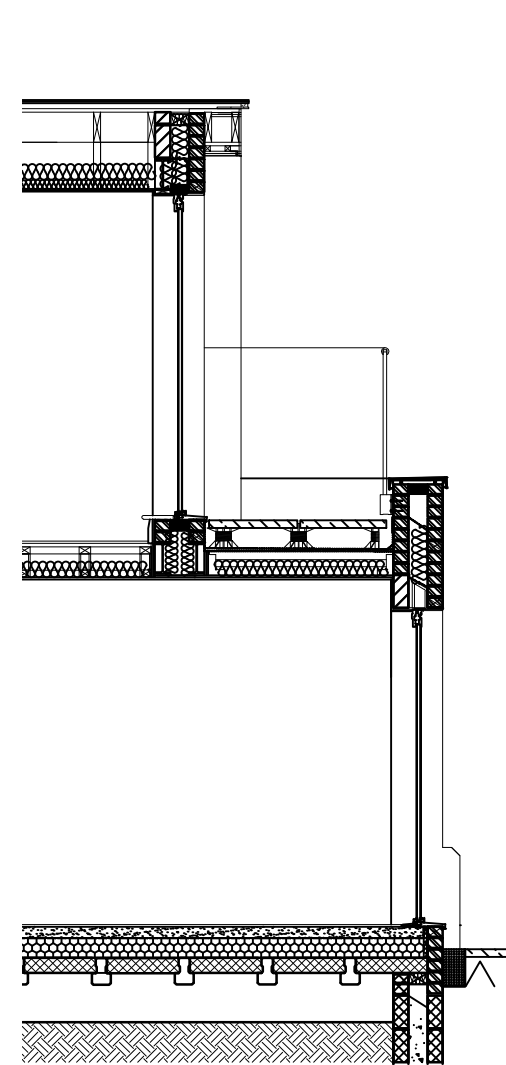
Key plan



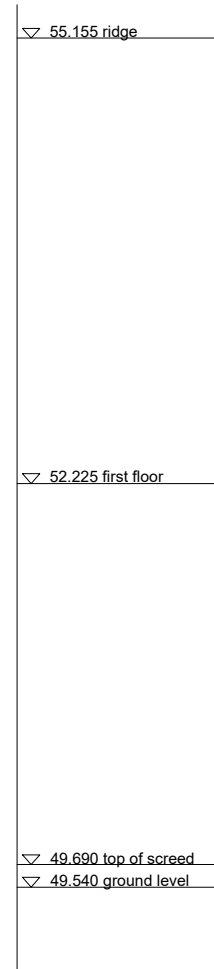
Typical section A-A



Gable section B-B



Terrace section C-C



all levels subject to site checks

Revision	Date	Description
C	04-04-23	NMA amendment
B	07-12-22	Building Regulations
A	22-11-22	Section A-A amended, B-B & C-C added
-	21-10-22	For information

Status  
**For Building Regulations**

Scale: 1:50@A3      Drawn By: SG      Date: Dec 22

Job Number: 028      Drawing Number: 04-11      Revision: C



Client  
**Ms Johal**

Project  
**Old Turgis Hall, Reading Road, Stratfield Turgis - Annexe**

Description  
**Typical Sections**