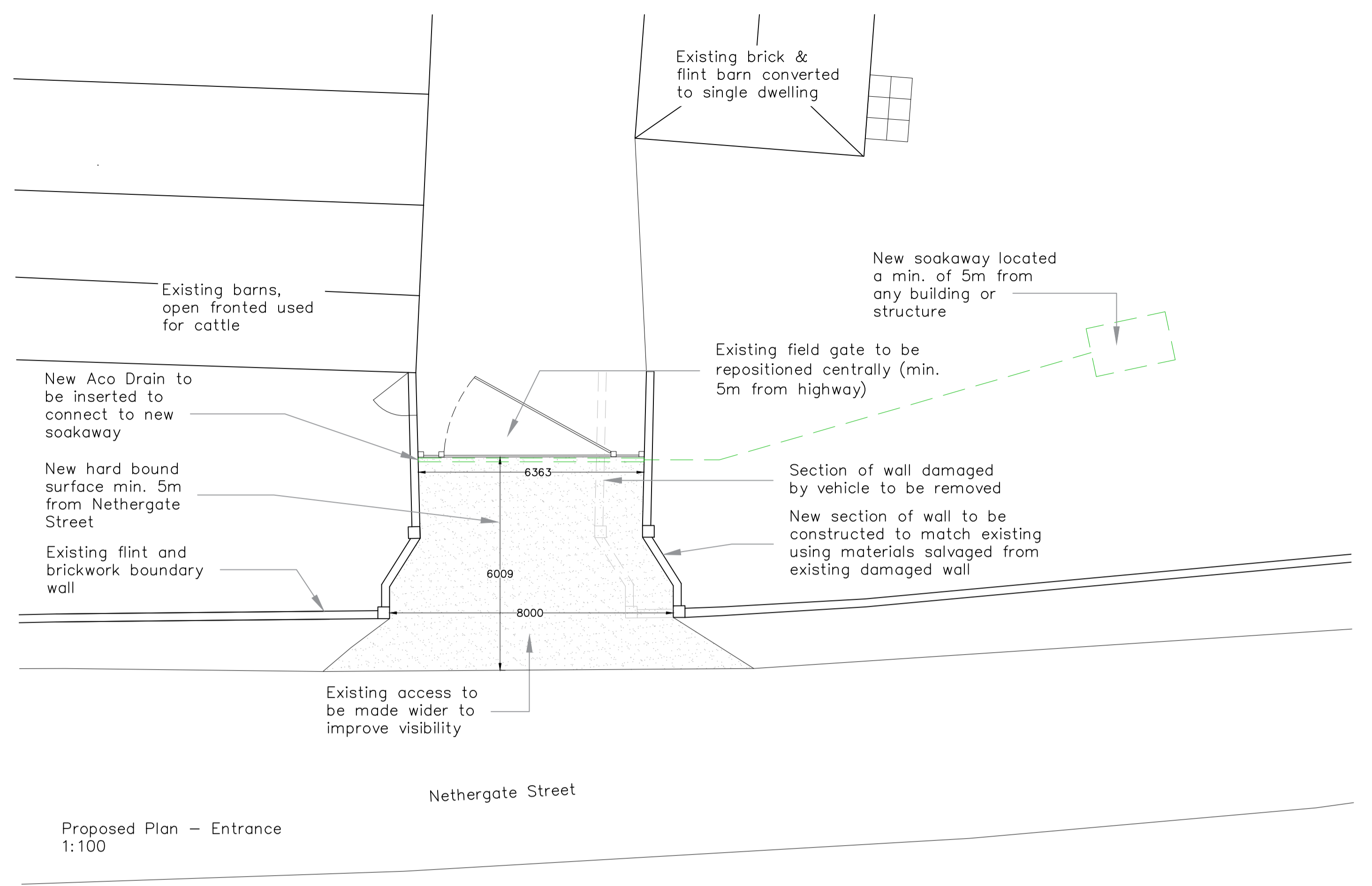
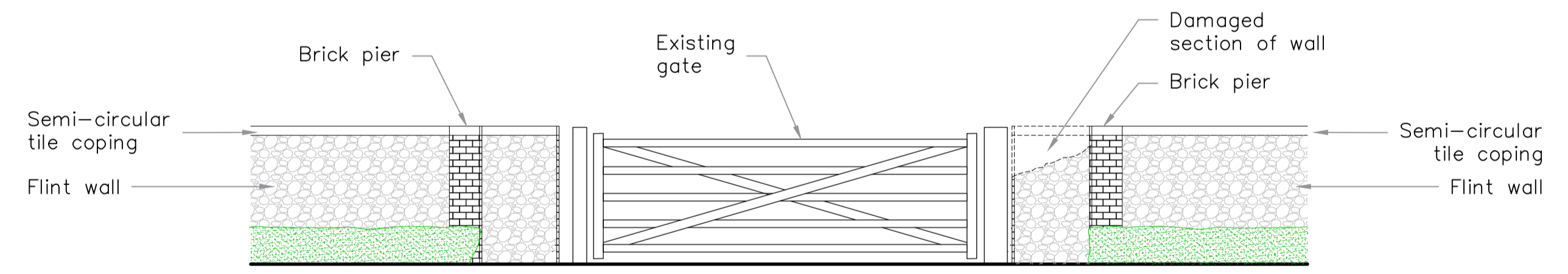


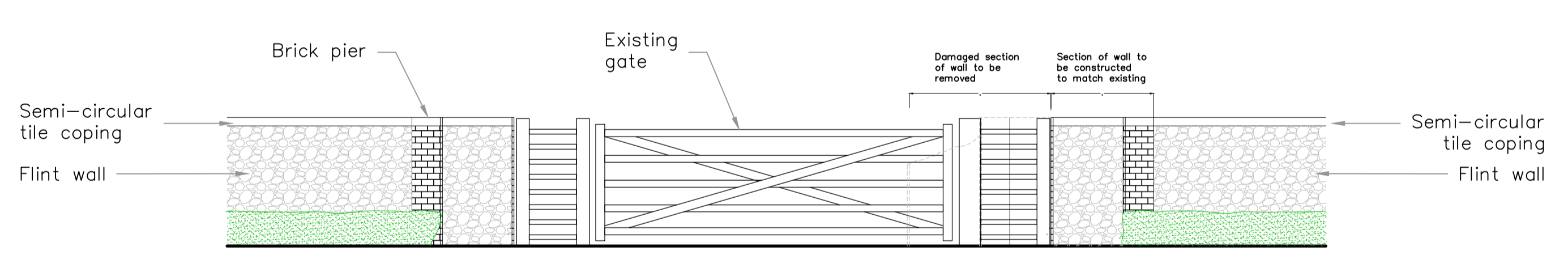
Existing Plan - Entrance  
1:100



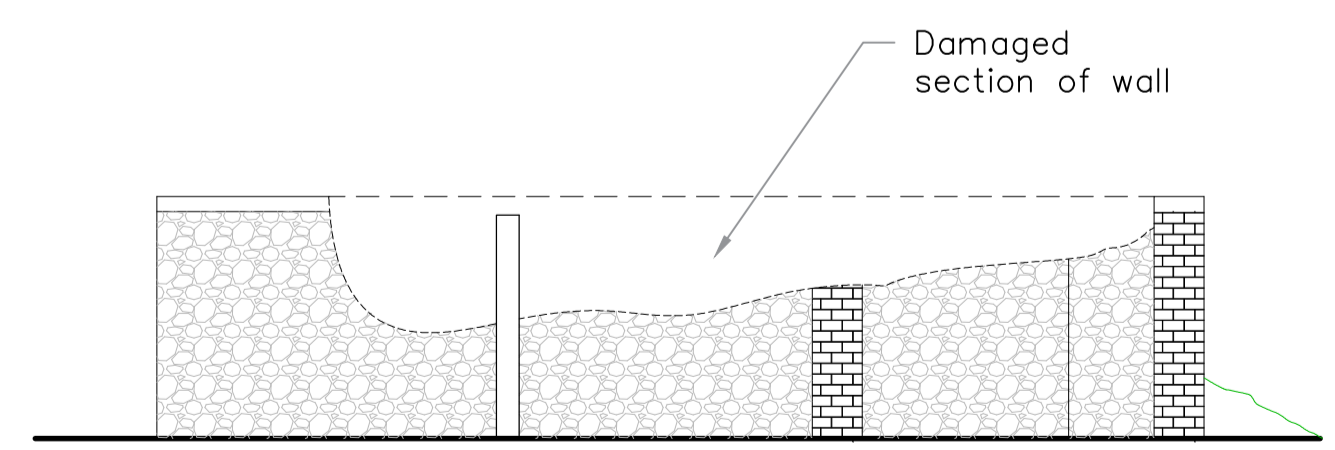
Proposed Plan - Entrance  
1:100



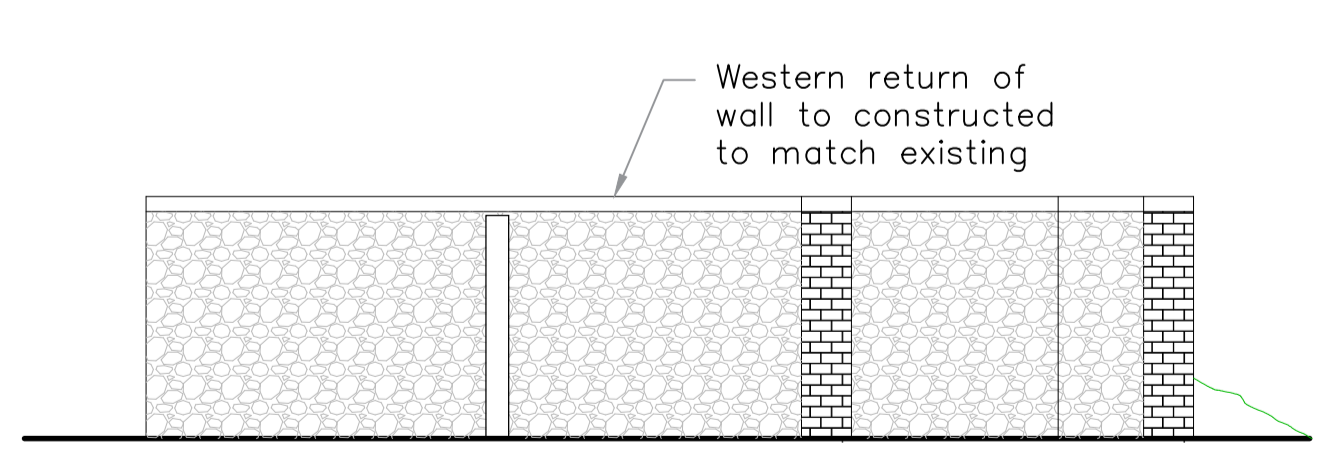
Existing Plan - Entrance (South Elevation)  
1:50



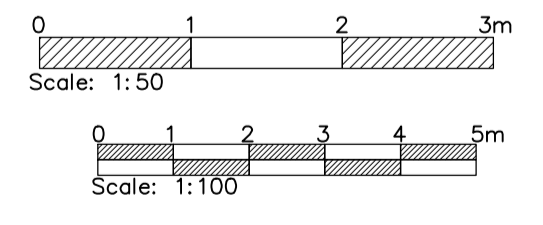
Proposed Plan - Entrance (South Elevation)  
1:50



Existing Plan - West elevation  
1:50



Proposed Plan - West Elevation  
1:50



revision	description	date
Rev. A	Drawn added	March 2023

Client:	Robert Capon
Job Title:	Robsons Farm
Drawing Title:	Existing & Proposed Boundary Wall
Scale:	1:100 A1 LS Nov 2022
Job Number:	6459
Drawing Number:	06A
Status:	Planning

**whitworth**  
 Chartered Architects & Chartered Building Surveyors  
 18 Hatfield Street, Bury St Edmunds, Suffolk, IP33 1NE  
 01328 750471 info@whitworth.co.uk www.whitworth.co.uk  
 NOTES:  
 Do not scale from this drawing. Confirm all dimensions on site. Refer any discrepancies to the architect before work is put in hand. Read this drawing in conjunction with the relevant sections of the specification, schedule of works and other drawings.  
 This drawing is copyright of whitworth.