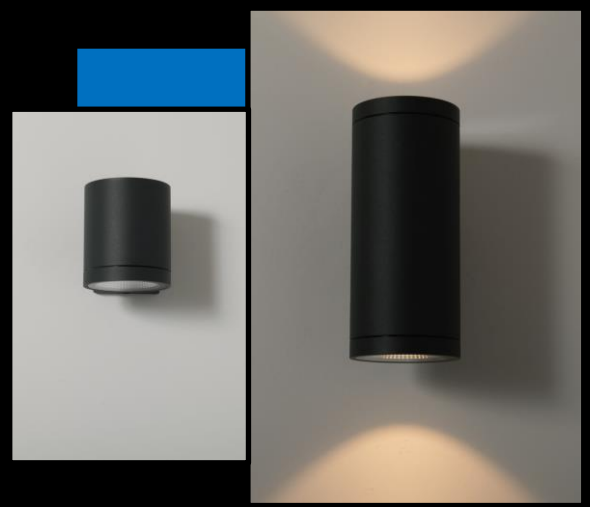


Moby LED Wall light

Exterior Wall Lighting



Data Sheet

Product Information

The Moby LED wall lights are suitable for highlighting wall features for commercial and domestic applications. Also available in 2 versions a down light and an Up/Down light.

With its Die-cast design and anodization this fitting is suitable for Coastal areas.

Product Features

- 2 year warranty
- IP55
- Class I
- 55° Beam angle
- 9w 3000K LED head
- CRI: ra82
- Strong Cast Aluminium Body
- Integrated non-dimmable driver
- L70 - 40,000hrs



Product Specification

| Product Code | Product Description | Wattage (W) | CCT (K) | Lumens (lm) | CRI (Ra) | Energy Efficiency Class 2021 | Protection Class |
|--------------|---------------------------------|-------------|---------|-------------|----------|------------------------------|------------------|
| KSR7170 | Moby 9w LED Wall Downlight | 9w | 3000 | 850 | 82 | E | I |
| KSR7171 | Moby 9w LED Wall Up & Downlight | 18w | 3000 | 1700 | 82 | E | I |

| Technical data | Moby Down | Moby Up/Down |
|---------------------------|----------------|----------------|
| Nominal voltage | 220~240VAC | 220~240VAC |
| Operating frequency | 50/60Hz | 50/60Hz |
| Circuit Wattage | 9w | 18w |
| Circuit Current | 0.12A | 0.06A |
| Driver mA Rating | 500mA | 250mA |
| PFC | 0.95 | 0.95 |
| In Rush Current | 0.45A max peak | 0.45A max peak |
| Ambient temperature range | -20°C to +55°C | -20°C to +55°C |
| IP rating | 55 | 55 |

Construction

Body: Cast Aluminium
Lens: Clear Glass

Standards

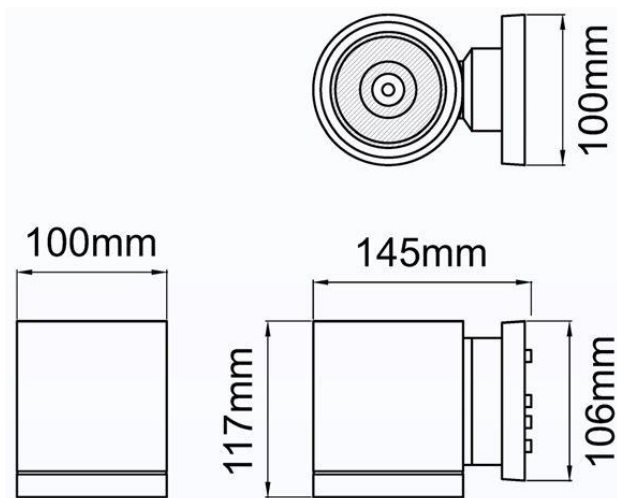
BSEN60598-1:2015 Luminaires – Part 1: General requirements and tests

In Conformity with

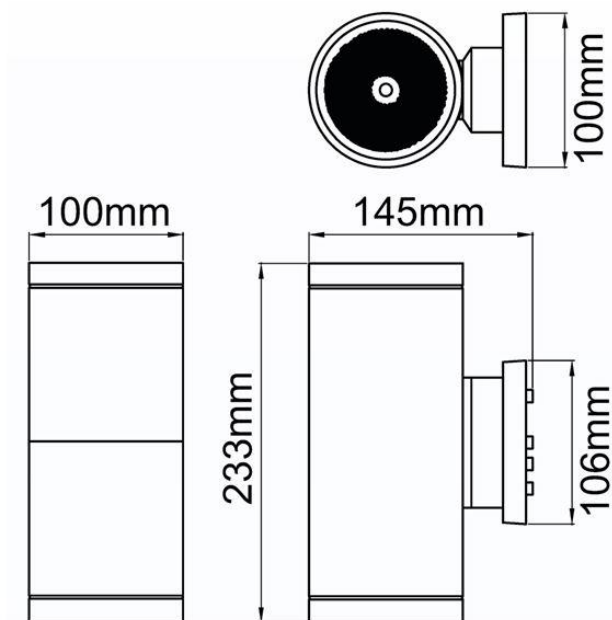
LVD Low voltage directive 2014/35/EU
EMC Electromagnetic compatibility directive 2014/30/EU
ERP Energy related products directive 2019/2020/EU
RoHS Restriction of hazardous substances 2015/863/EU

Product Dimensions

KSR7170



KSR7171



KSR Lighting is constantly developing and improving its products. For this reason, all product descriptions in this data sheet are intended as a general guide, and KSR may change specifications from time to time in the interest of product development, without prior notification or public announcement. All descriptions in this data sheet present only general particulars of the goods to which they refer and shall not form part of any contract. Data in this guide has been obtained in controlled experimental conditions. However, KSR Lighting cannot accept any liability arising from the reliance on such data to the extent permitted.