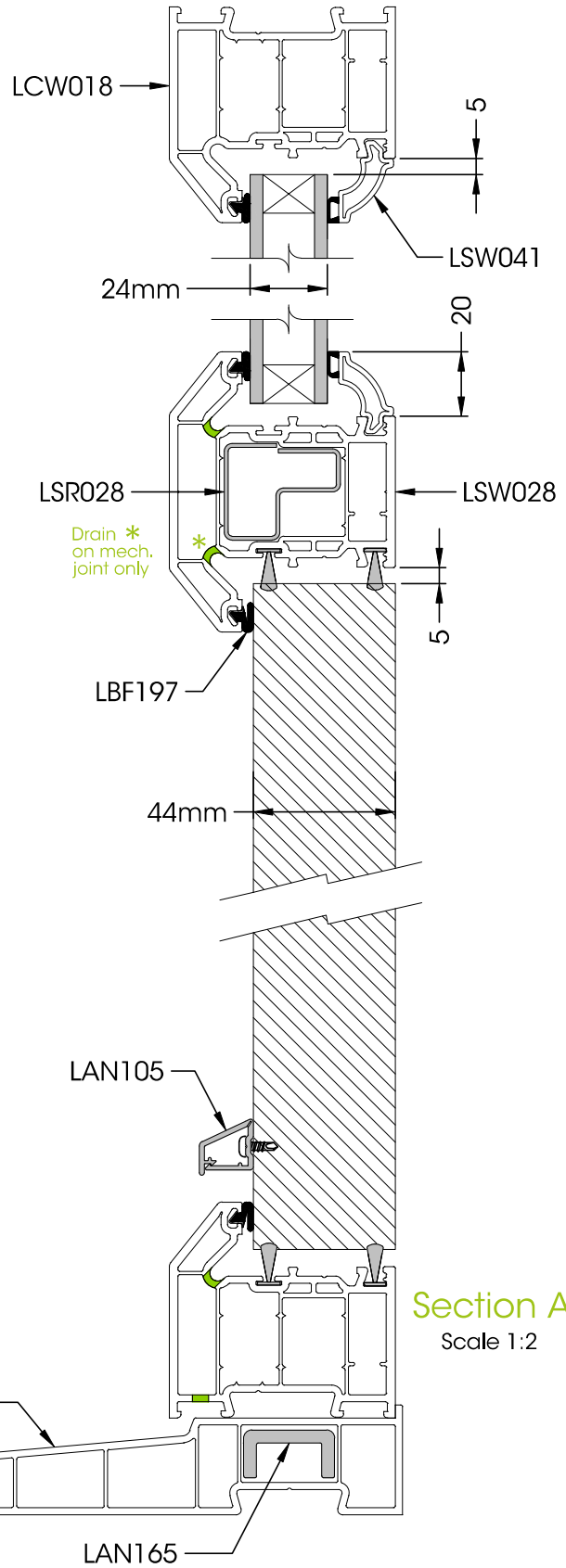
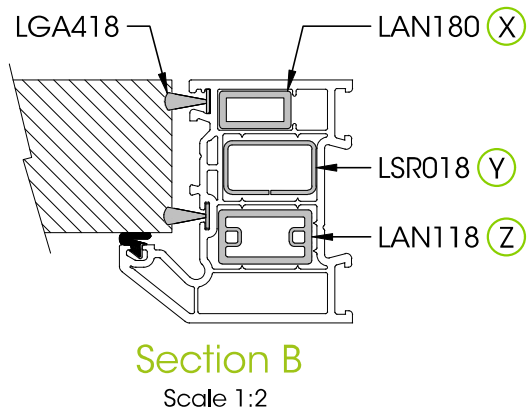


44mm Chamfered Composite Door

(reinforcement shown for reference only)

Refer to reinforcement guides for more information



Drainage Slot typically 30mm x 5mm wide.

(X & Y) Reinforcement required dependant on lock & hinge/keep design.

(Z) Use when mechanically jointing to low threshold.

Cill Venting - see page 01-03-03-08

Date	Man.	Sec.	Sub.
31/08/21	01	02	02 20