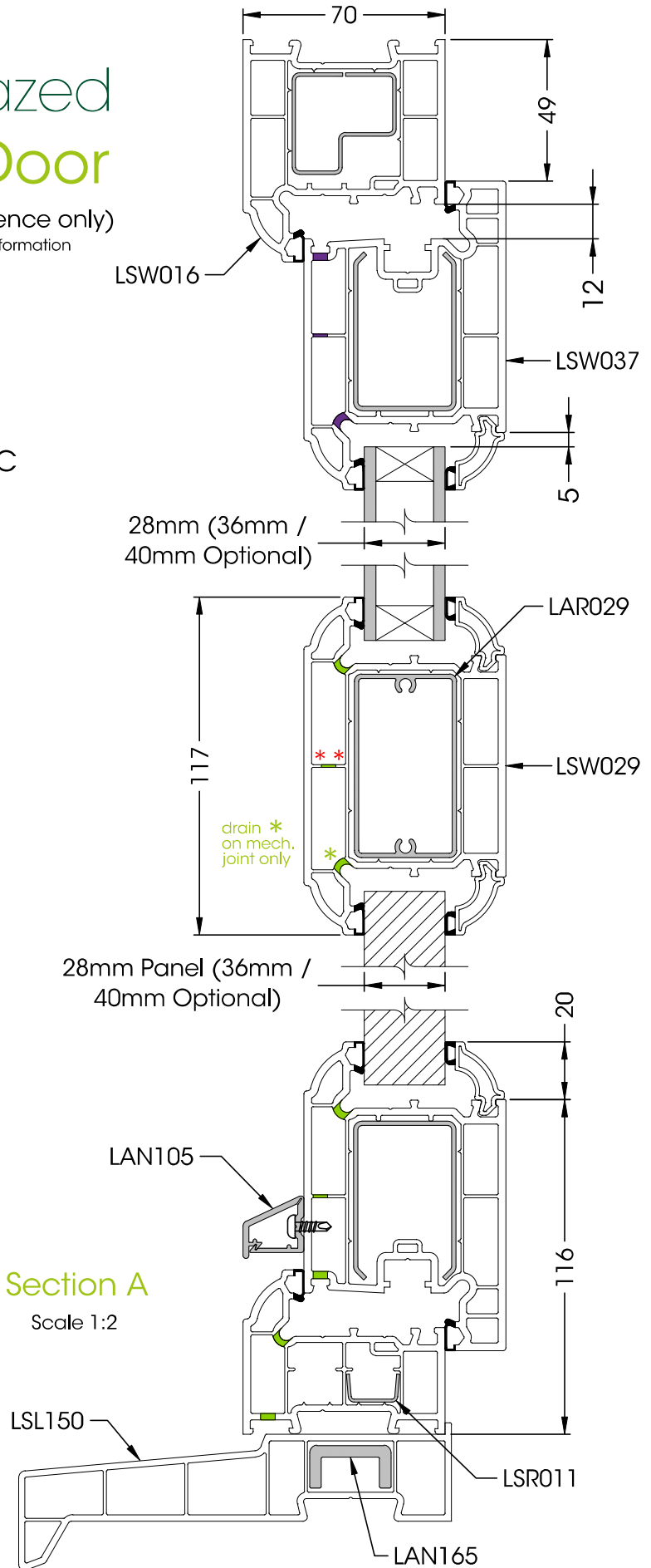
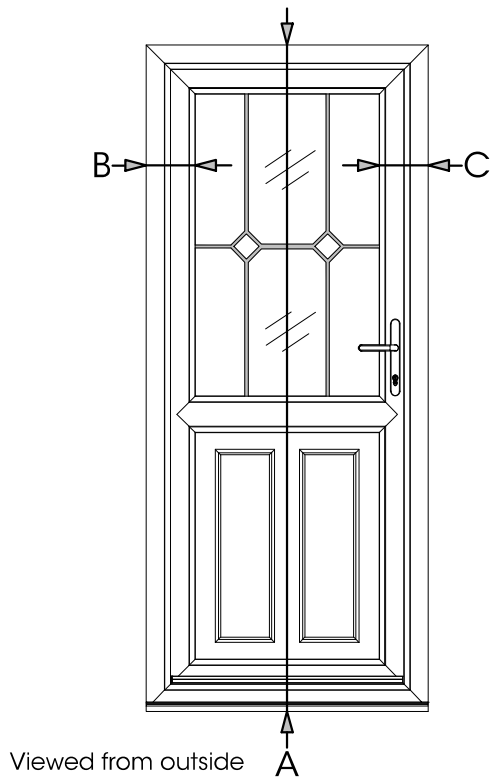


# Internally Glazed Residential Door

(reinforcement shown for reference only)  
refer to reinforcement guides for more information



Drainage Slot typically 30mm x 5mm wide.  
Pressure Equalization typically 30mm x 5mm wide.  
\*\* Remove web each end 5mm deep before welding  
Cill Venting - see page 01-03-03-08

Date	Man.	Sec.	Sub.
31/08/21	01	02	02 15