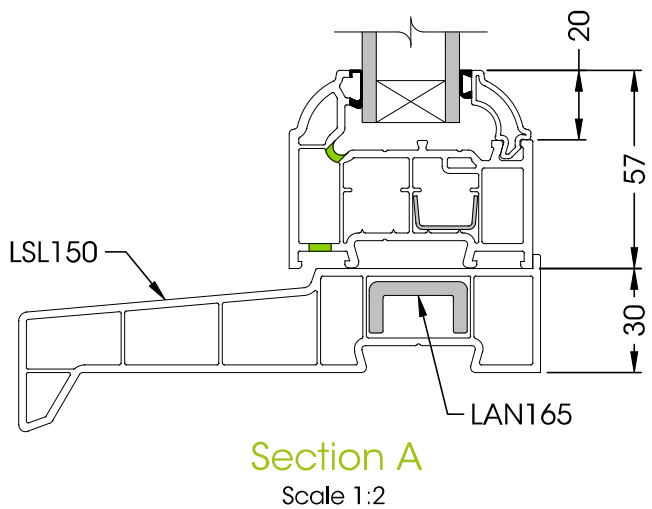
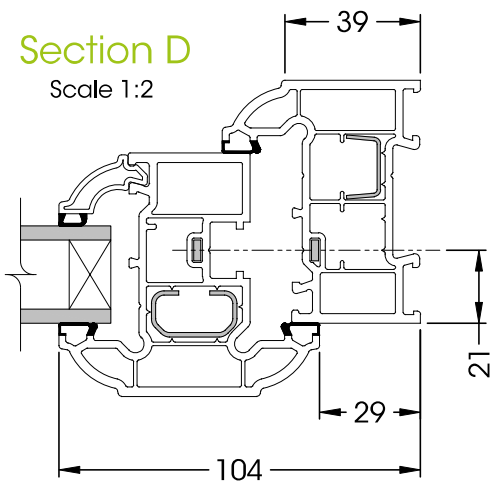
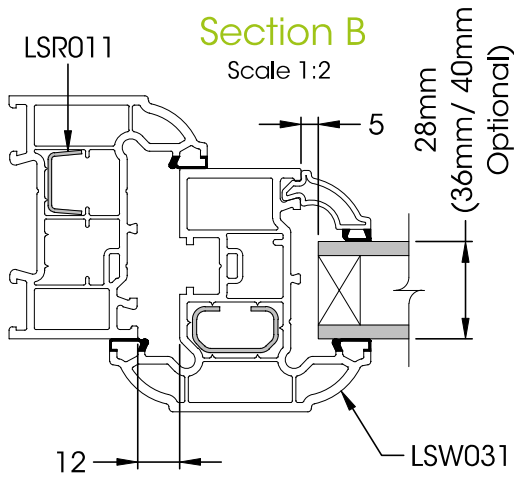
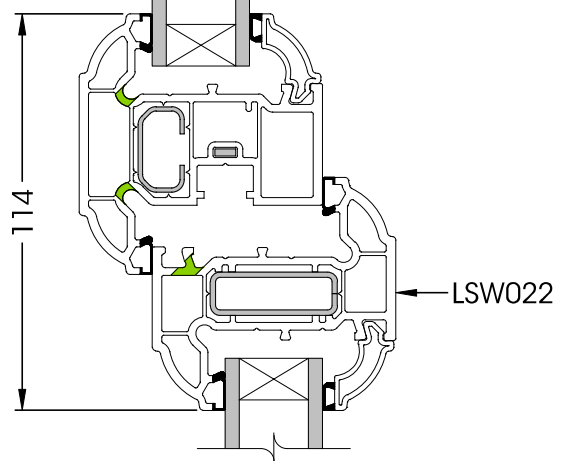
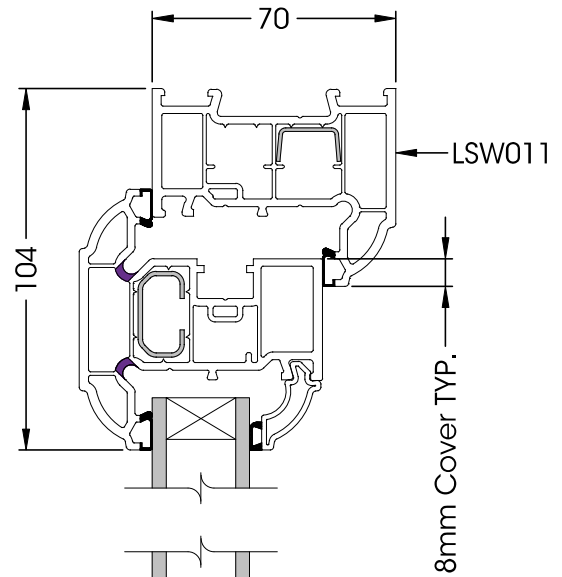
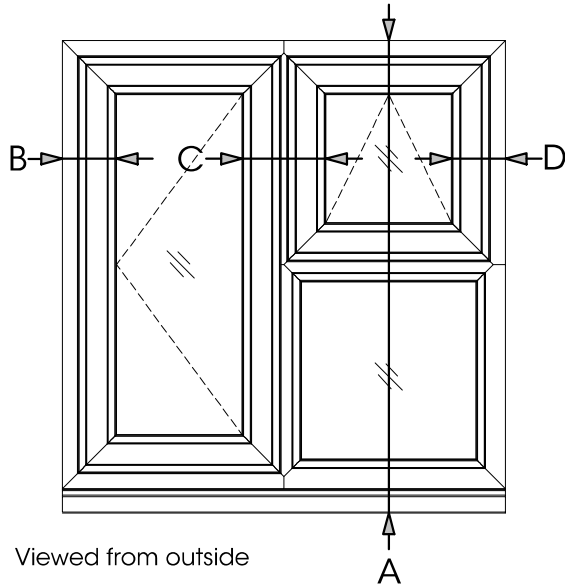


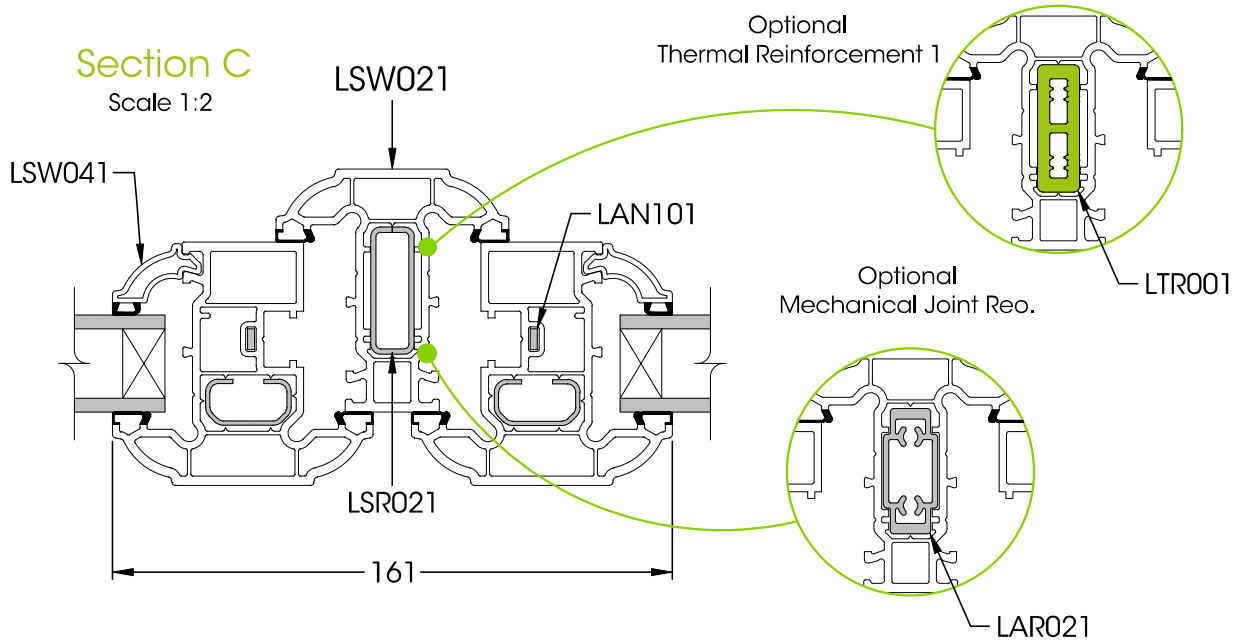
Internally Glazed Casement

(reinforcement shown for reference only)
refer to reinforcement guides for more information

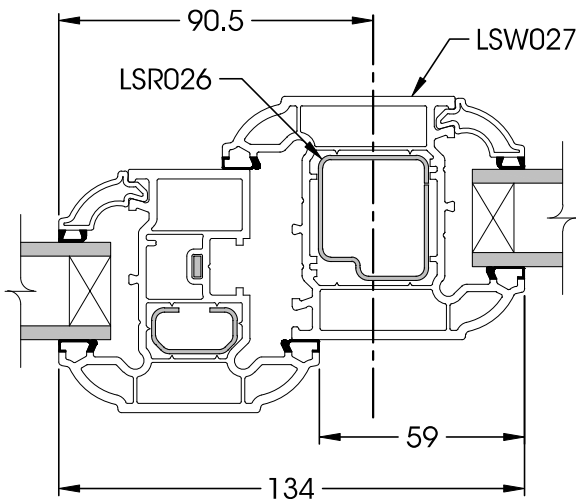


Drainage Slot typically 30mm x 5mm wide.
Pressure Equalization typically 30mm x 5mm wide.
Cill Venting - see page 01-03-03-08

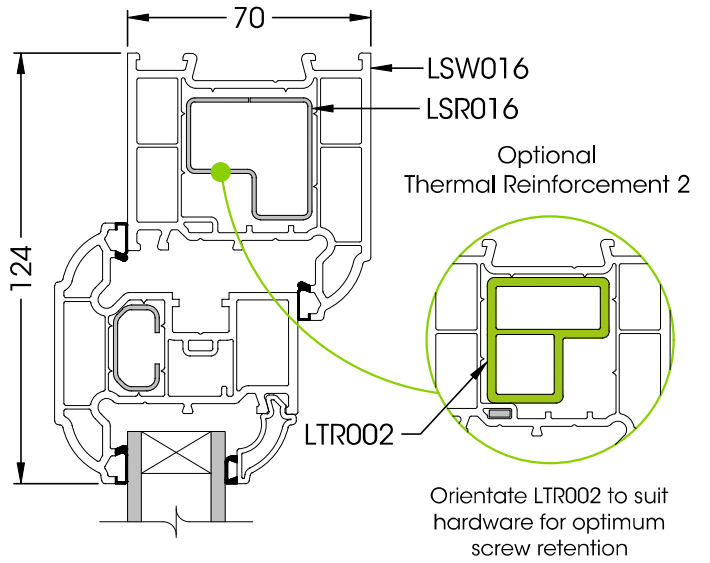
Date.	Man.	Sec.	Sub.
31/08/21	01	02	02 01



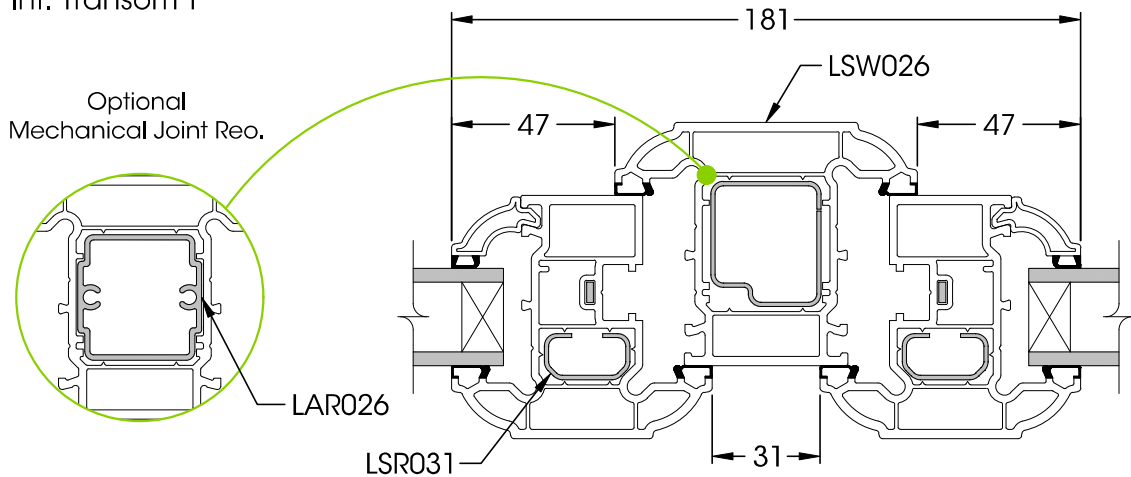
Alternative Transom Option
Int. Transom Z



Alternative Head Option
LSW016



Alternative Section C
Int. Transom T



Date	Man.	Sec.	Sub.
10/02/22	01	02	02 02