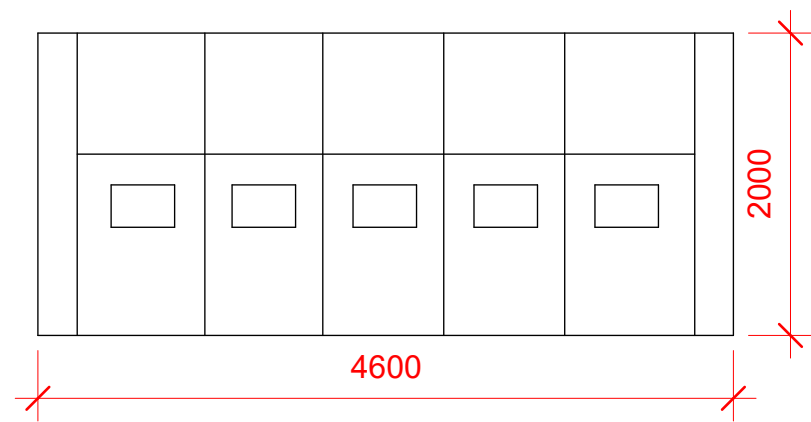
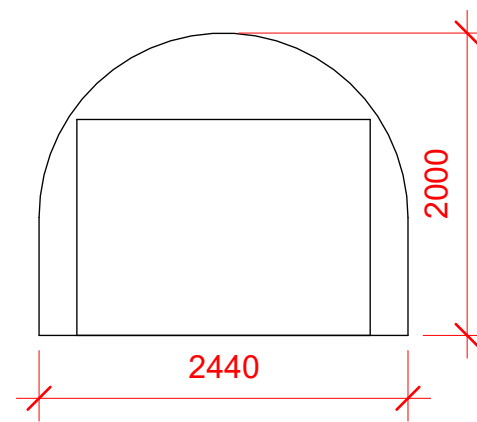


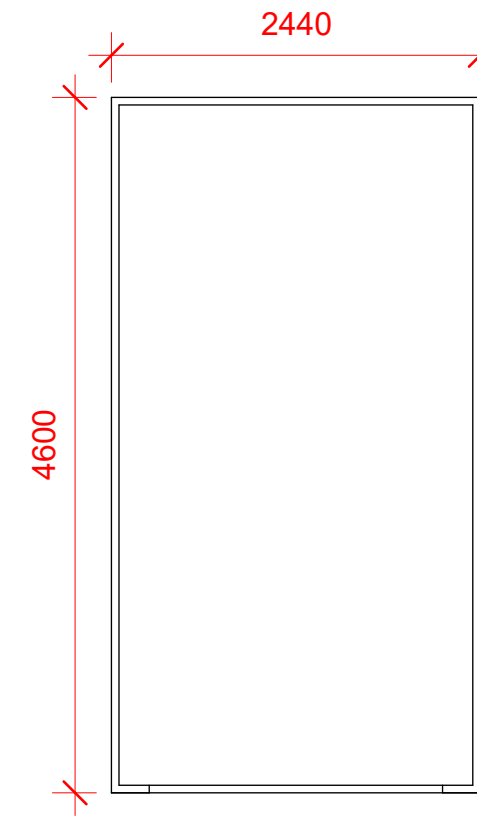
Notes:



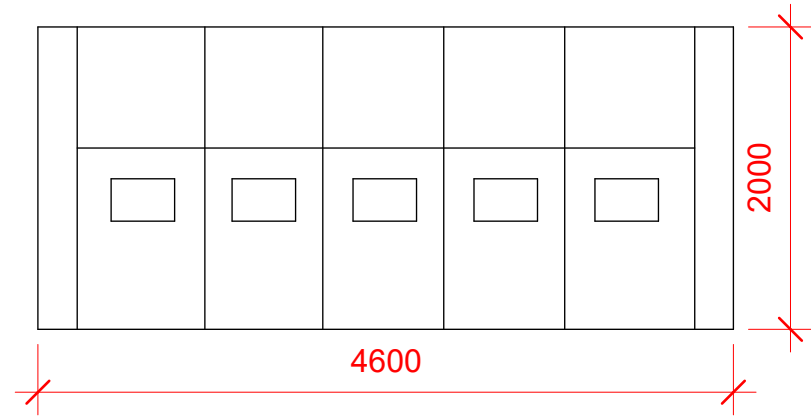
SIDE ELEVATION



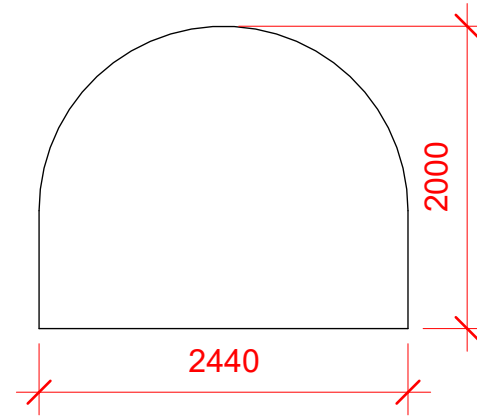
FRONT ELEVATION



GROUND FLOOR



SIDE ELEVATION



REAR ELEVATION

Polytunnel Proposed Drawings 1:50

This drawing is not to be scaled or manipulated in any way. Any errors or discrepancies should be reported to RIVERGATE ARCHITECTURE. Work to given dimensions only which the contractor must check and confirm all dimensions on site. Copyright to remain with RIVERGATE ARCHITECTURE and is not to be copied, lent or used by any third party without express written permission of RIVERGATE ARCHITECTURE.

REV	DESCRIPTION	BY	DATE
-----	-------------	----	------

CLIENT:
Mr and Mrs Yang

SITE:
LLANBEYNMAIR, SY197EA

TITLE:
Proposed Drawings for Polytunnel

SCALE AT A3:	DATE:	DRAWN:	CHECKED:
1 : 50	05/09/23	DP	PD

PROJECT NO:	DRAWING NO:	REVISION:
RG23-02	06	

RIVERGATE
LIMITED

9 Bridge Street, Neston
Cheshire CH64 9UH
+44(0) 151 338 6814
info@rivergatearchitecture.com
www.rivergatearchitecture.com