

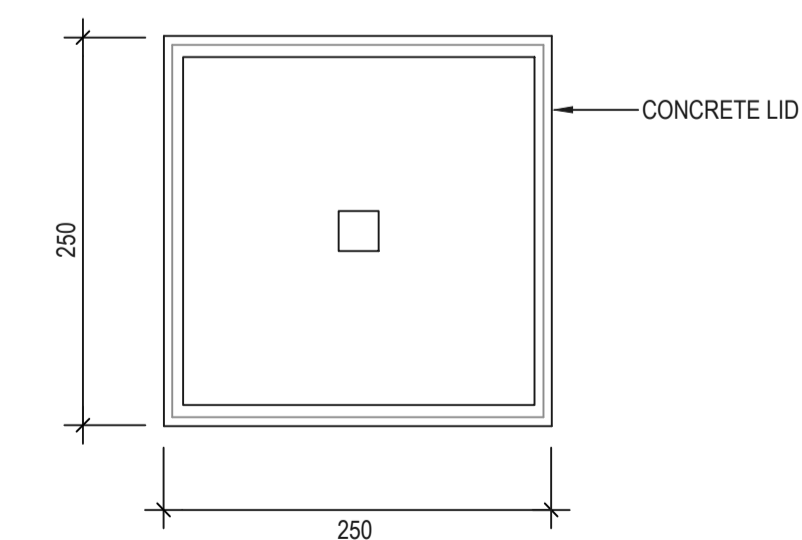
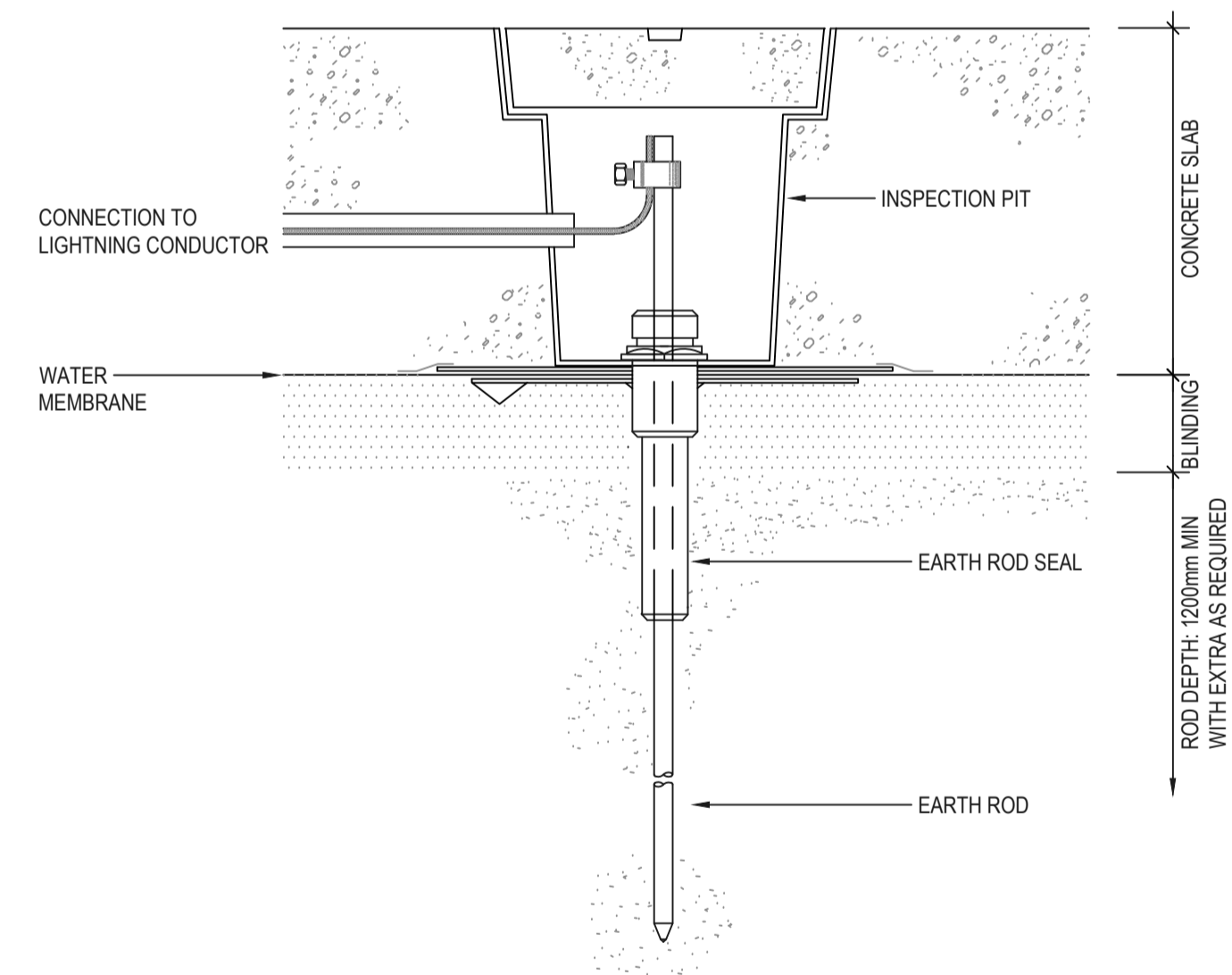
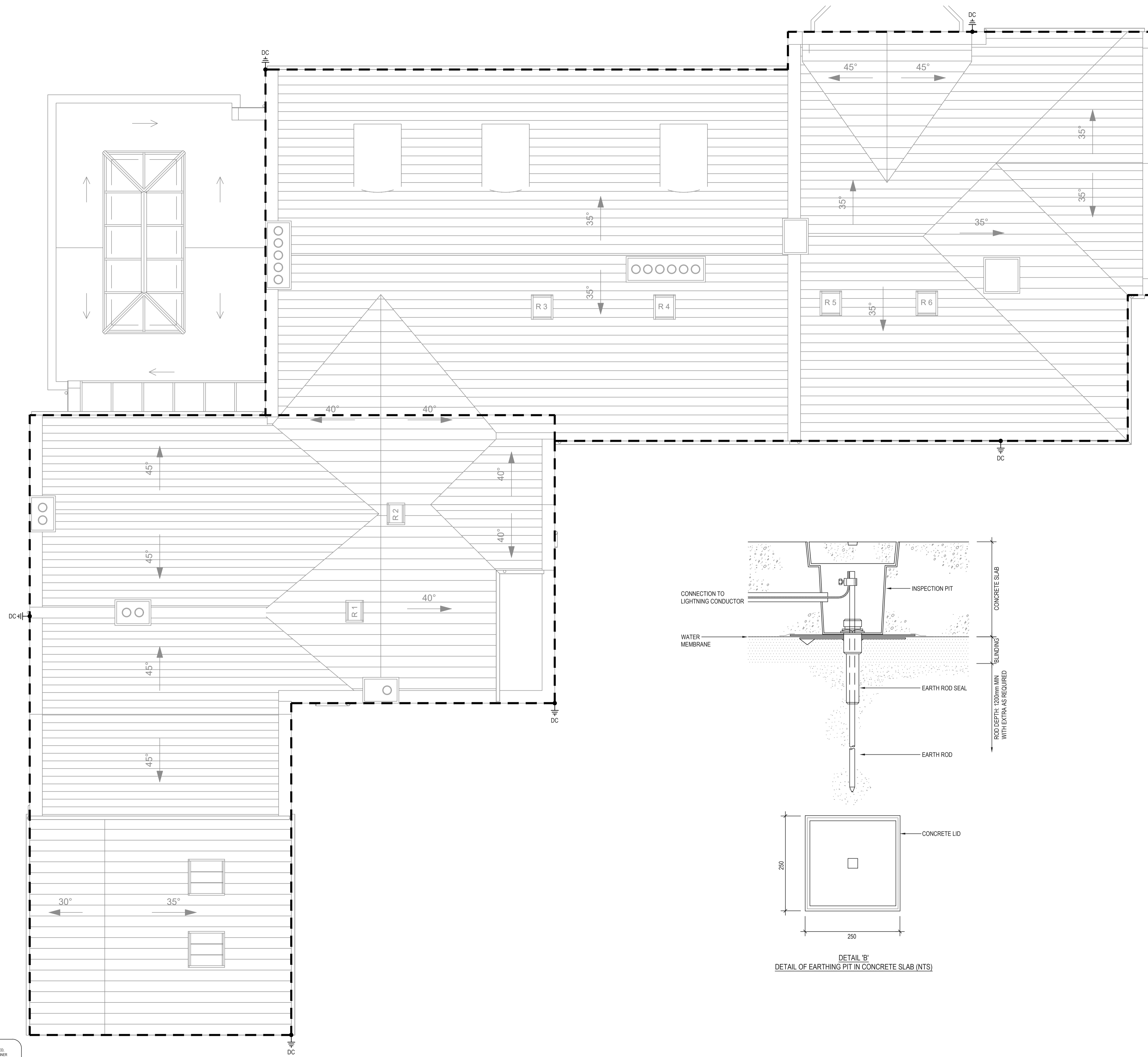
**DO NOT SCALE**  
 THE USER IS RESPONSIBLE FOR CHECKING ALL DIMENSIONS WHICH ARE IN MILLIMETRES UNLESS OTHERWISE STATED.

**NOTES:**

1. THIS DRAWING SHOULD BE READ IN CONJUNCTION WITH ALL DRAWINGS, SPECIFICATIONS AND SCHEDULES.
2. THE SPECIALIST LIGHTNING PROTECTION INSTALLER SHALL PROVIDE A LIGHTNING PROTECTION SYSTEM COMPLETELY IN ACCORDANCE WITH BS EN 62305, BS EN 50164, BS 7430 AND ALL LOCAL AUTHORITY REQUIREMENTS.
3. THE SPECIALIST LIGHTNING PROTECTION INSTALLER SHALL SUBMIT THE RISK EVALUATION AND THE ACHIEVED LIGHTNING PROTECTION LEVEL (LPL) CALCULATION BASED ON BS EN 62305.
4. IN ADDITION TO THE CONTENTS OF THESE DRAWINGS, CONTRACTOR SHALL INCLUDE FOR ALL LOCAL EQUIPOTENTIAL BONDING AS REQUIRED TO COMPLY WITH THE SPECIFICATION AND LOCAL AUTHORITY REGULATIONS.
5. ALL EARTH CABLES TO BE SINGLE CORE COPPER WITH A GREEN/YELLOW LSZH OVER SHEATH.
6. ALL EARTH CABLES SHALL BE CLEARLY LABELED.
7. ALL SURGE PROTECTION DEVICES TO BE USED SHALL BE FROM THE SAME MANUFACTURER WHO SUPPLIES THE STRUCTURAL LIGHTNING PROTECTION.
8. THE SPECIALIST LIGHTNING PROTECTION INSTALLER SHALL ENSURE PROPER COORDINATION BETWEEN THE STRUCTURAL, CIVIL, ELECTRICAL AND THE CLADDING INSTALLER.
9. LV EARTHING SUBJECT TO APPROVAL FROM LOCAL AUTHORITY.
10. THE COMPLETE EARTHING SYSTEM MEASURED AT ANY POINT SHOULD NOT EXCEED 1 OHM. NUMBER OF EARTH RODS AND PITS SHALL BE SUBJECT TO THE SOIL QUALITY AND RESISTIVITY.
11. ALL PLANT, MECHANICAL PLANT, METALLIC BUILDING SECTIONS & PHOTOVOLTAIC ARE TO BE BONDED TO THE LPS.
12. THE CONTRACTOR SHALL DESIGN, INSTALL, TEST & COMMISSIONING THE LIGHTNING PROTECTION SYSTEM IN ACCORDANCE WITH BSEN62305 & BS7430:2011 AND PROVIDE TEST CERTIFICATE AND AS-INSTALLED DRAWINGS.
13. SPECIALIST SERVICES SHOWN ARE SUBJECT TO DEVELOPMENT WITH THE SPECIALISTS.
14. FINAL LOCATIONS OF DOWN CONDUCTORS T.B.C WITH SPECIALIST & ARCHITECT ON SITE.

**LEGEND:**

- DC DOWN CONDUCTOR
- ||- EARTH



**DETAIL 'B'**  
 DETAIL OF EARTHING PIT IN CONCRETE SLAB (NTS)

P1	14.12.2022	DRAFT ISSUE	RF	PL
REV	DATE	DETAILS OF REVISION	DRAWN	CHK



Suite 2 | The Offices | Durham Road | Bowburn | Durham | DH6 5AT  
 Phone: 0191 383 7335  
 www.necoltd.co.uk  
 info@necoltd.co.uk

**Project Name**  
 OAKWOOD HALL - WYLAM

**Client**  
 PETER

**Drawing Title**  
 ELECTRICAL SERVICES  
 PROPOSED LIGHTNING PROTECTION LAYOUT

Status DRAFT ISSUE	
Scale 1:50 @ A1	Date DEC 2022
Drawing No. 22-NE059-LXX-69-XXX	Revision P1