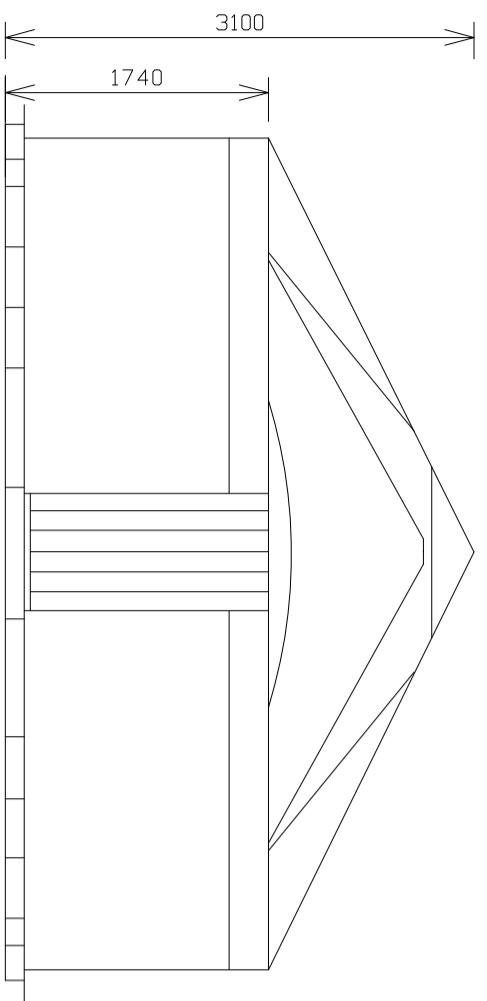
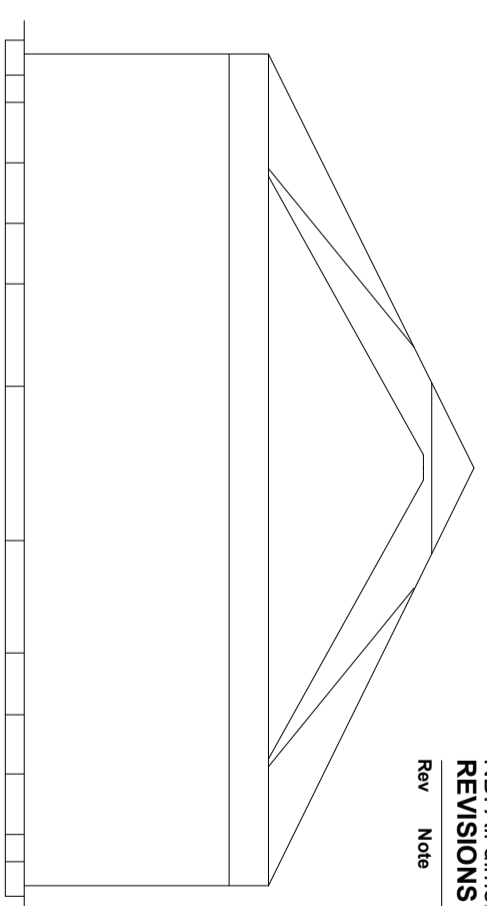


NB! All dimensions must be checked on site
REVISIONS

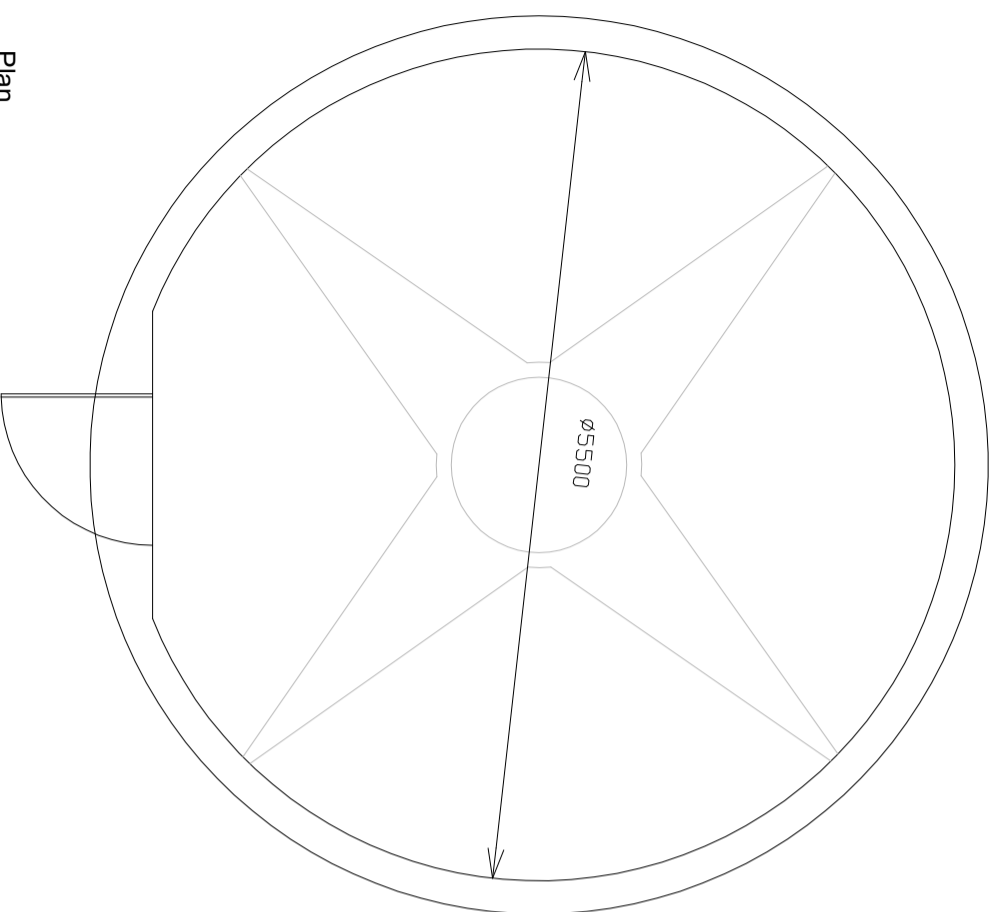
Rev	Note	Date



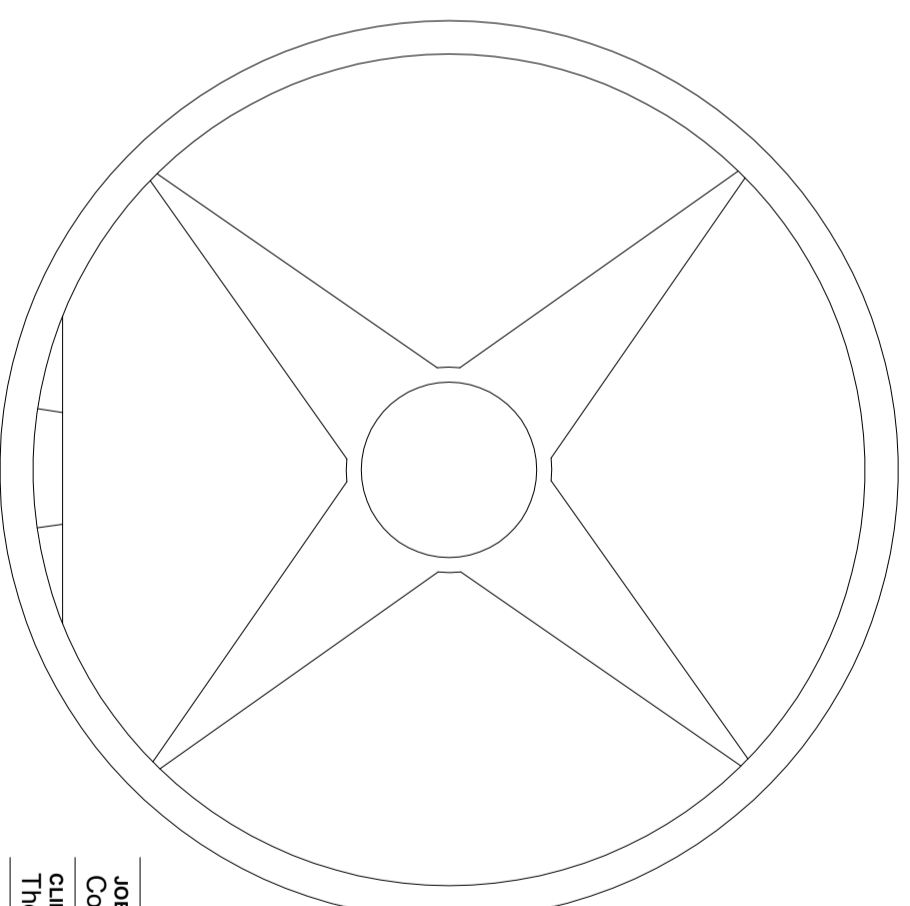
Front Elevation



Rear and Side Elevations

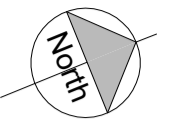


Plan



Roof Plan

Scale 1:50



Steena Steward ARCHITECT RIBA

Wynd Hurst Aydon Road Corbridge NE45 5AG
T 01434 632040 M 07921 666480

steena@steenastewardarchitect.co.uk
www.steenastewardarchitect.co.uk

JOB TITLE
Community Garden

CLIENT
The Nurture Project

DRAWING TITLE
Proposed Yurt

SCALE
1:50 @ A3

DRAWING STATUS
Planning

DATE
April 23

DRAWING NUMBER
2306-04