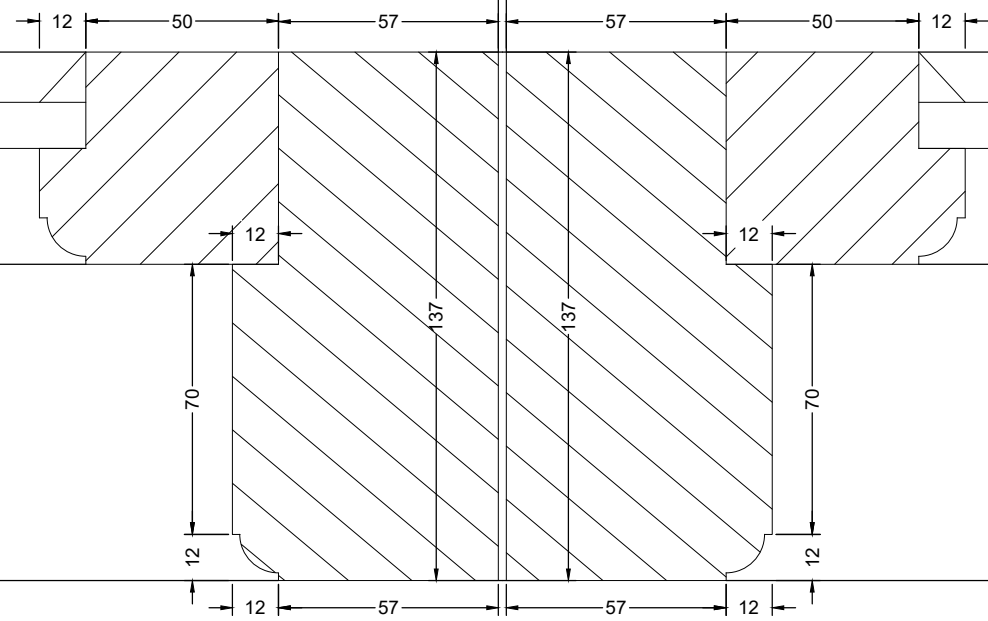


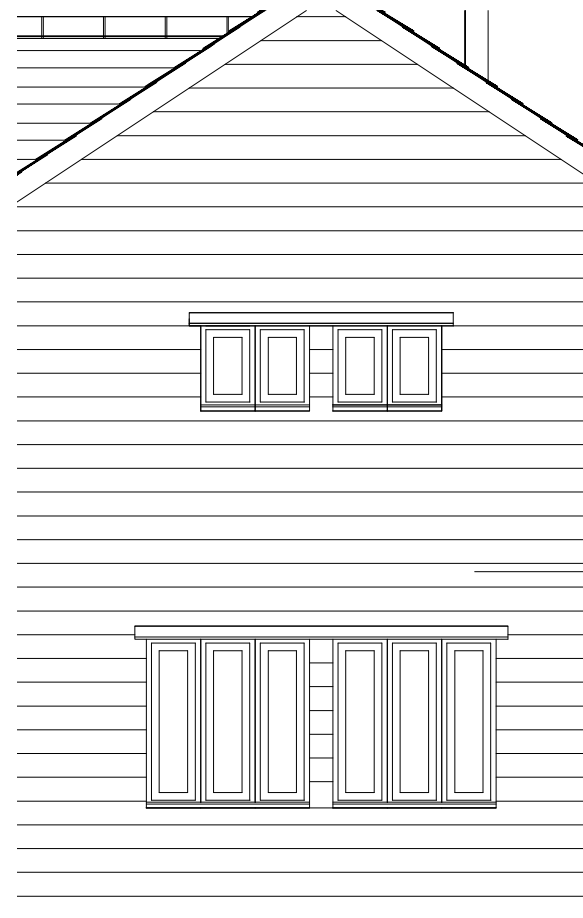
**Client Approved**

Signature.....

Date.....

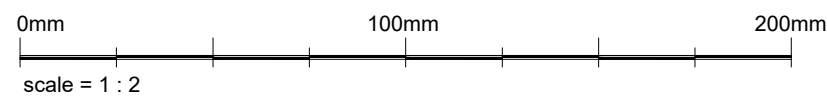


**Jamb Meeting Detail**

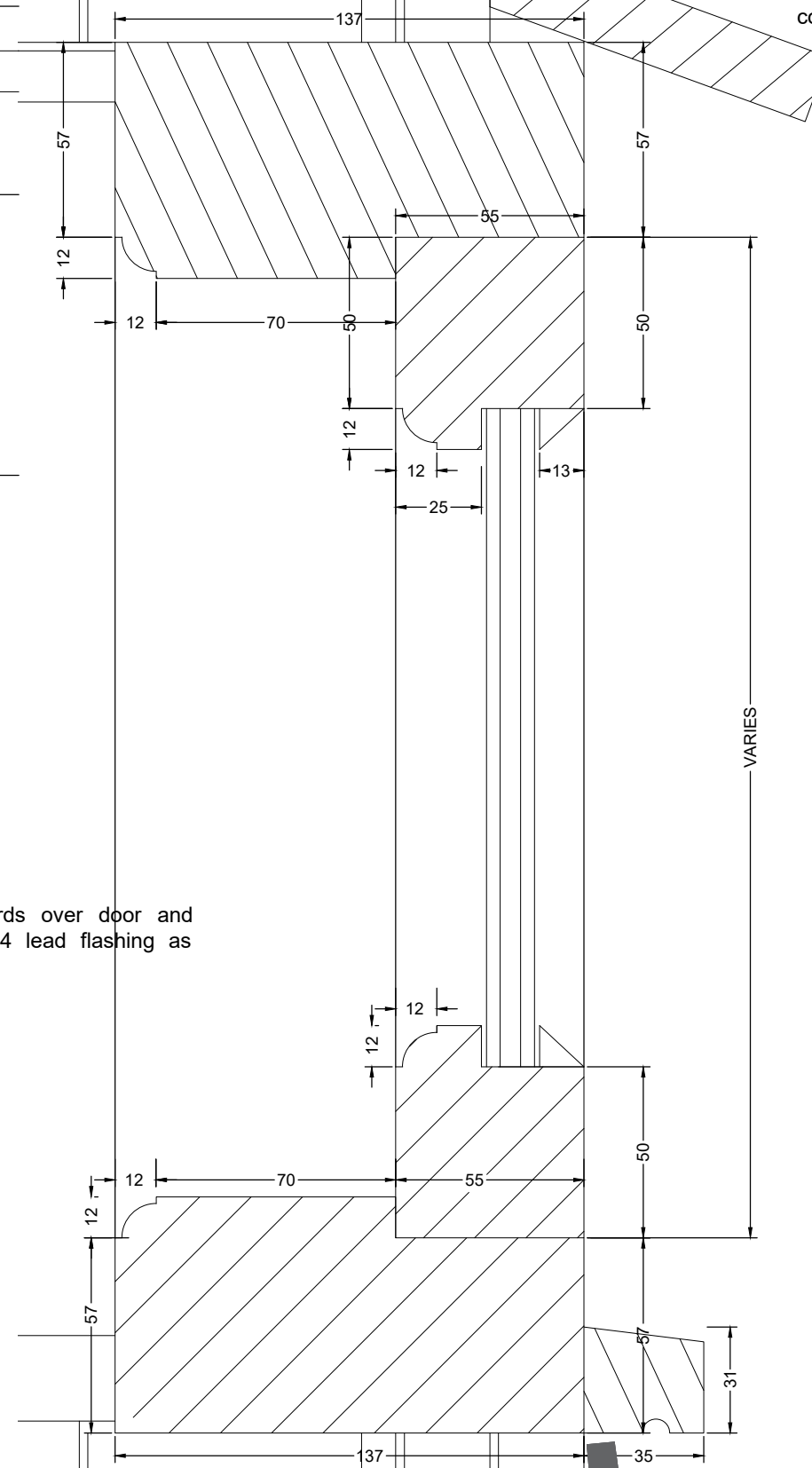


**Typical Window Elevation (NTS)**

Include for timber pentice boards over door and window heads. Optional Code 4 lead flashing as cover over pentice boards.



**Head Detail**

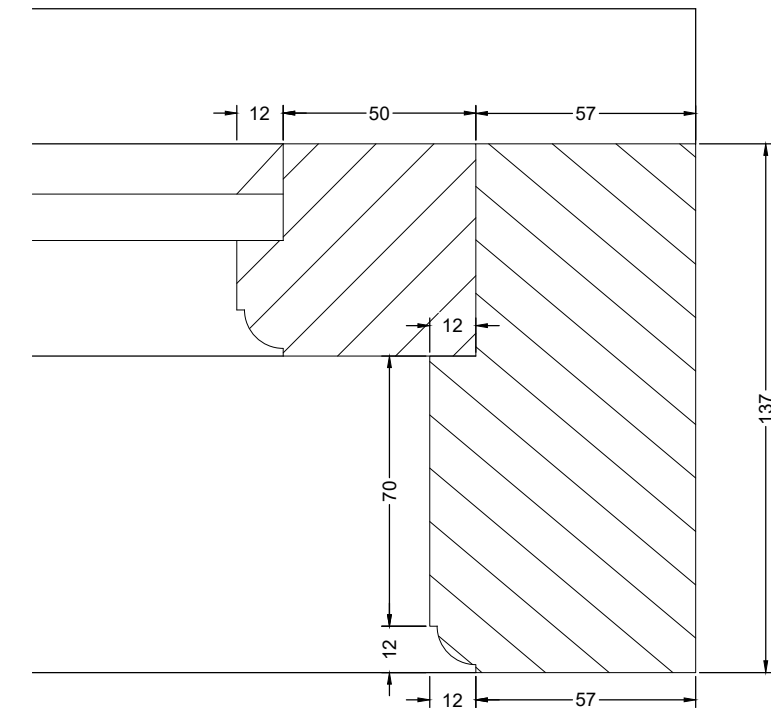


**Cill Detail**

Featheredged boarding stained black

Featheredged boarding stained black

Include for timber pentice boards over door and window heads. Optional Code 4 lead flashing as cover over pentice boards.



**Jamb Detail**

PROJECT  
Proposed barn conversions at  
Lakehouse Farm,  
Finchingfield Road,  
Hempstead, CB10 2PR

CLIENT  
Humphrey Homes Ltd

DETAIL  
Typical Window Details

**Alan Baker**  
Architectural Services  
55, Back Road, Linton,  
Cambridge. CB21 4JF  
01223 893516

DATE May 2021	DRAWN BY Alan Baker
SCALE 1 : 2 at A3	CHECKED BY
DRAWING NO. 2021/231 - 20	REVISION