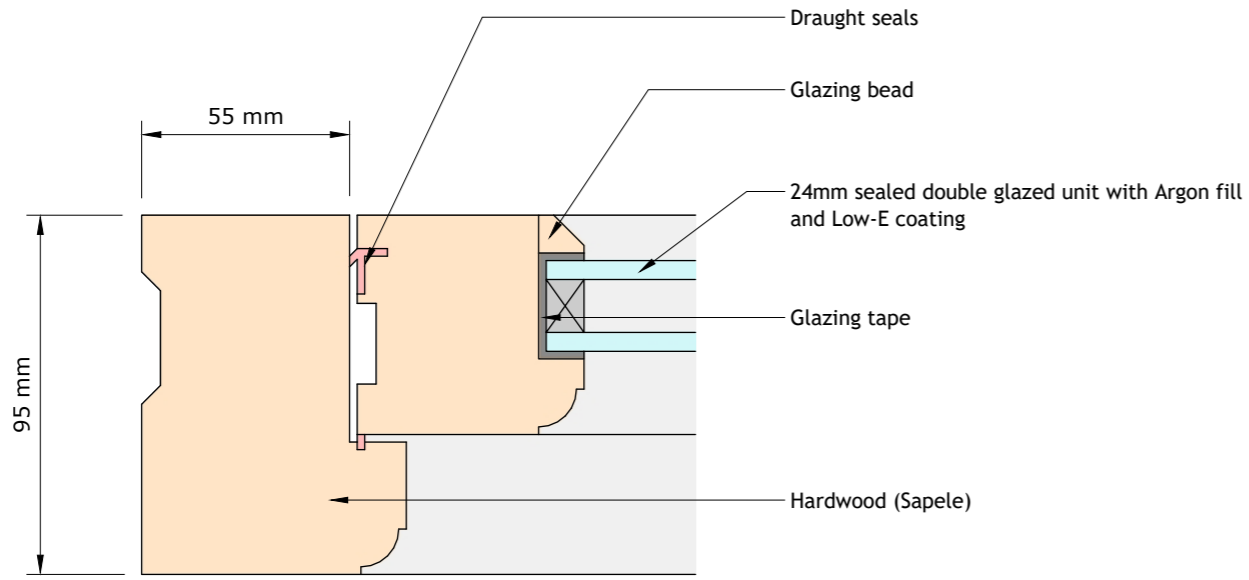
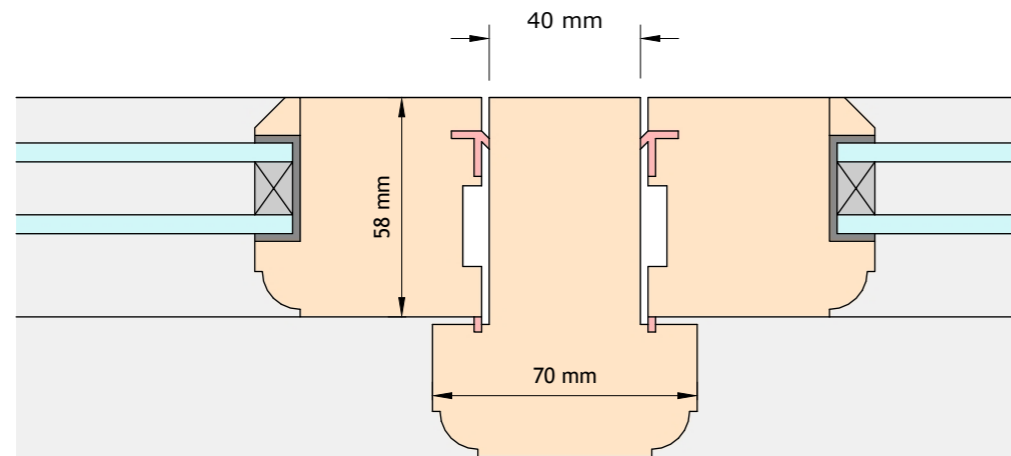


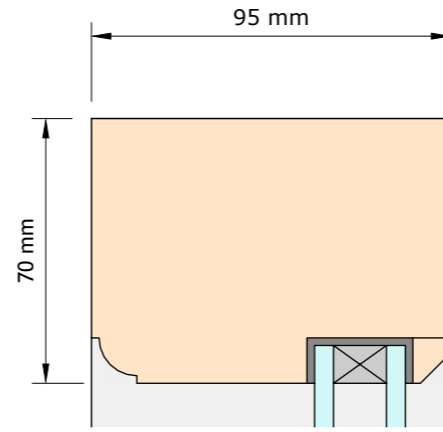
7 Fixed Light Jamb



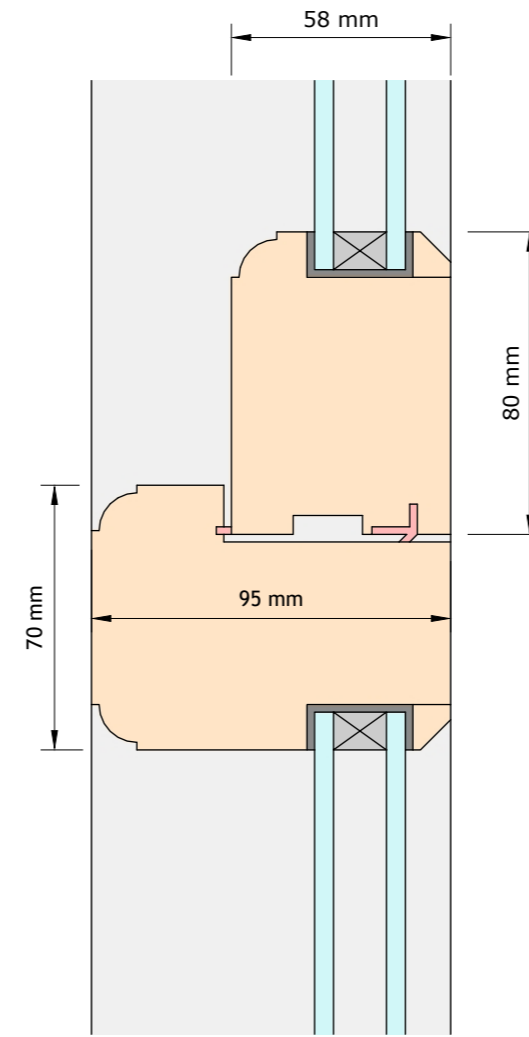
8 Casement Jamb



9 Casement Mullion



11 Fixed Light Head



10 Casement/Fixed Light Transom



1:2 SCALE BAR IN MILLIMETRES AT A3

2304.8120.P1 Joinery Details 7 to 11



**THEO
ARCH
TECH**

Client: Mr&Mrs Mortlock
Project: Replacement Joinery
Address: Nelsons, Moorbridge Lane,
Harleston, IP14 3JH

Drawing Number: 2304.8120
Drawing Name: Joinery Details 7 to 11
Revision: P1
Issue Date: 23/03/2023

Stage 3 (P-Planning)

This document is an RIBA Stage 3 document. The information illustrated on this drawing is for planning information only. Theo Arch Tech accepts no liability for use of this drawing beyond that for which it was issued.