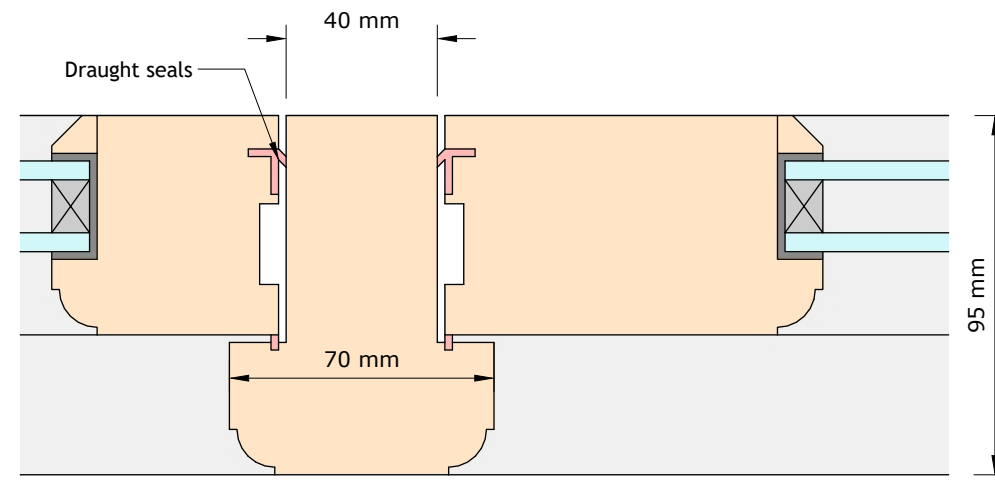
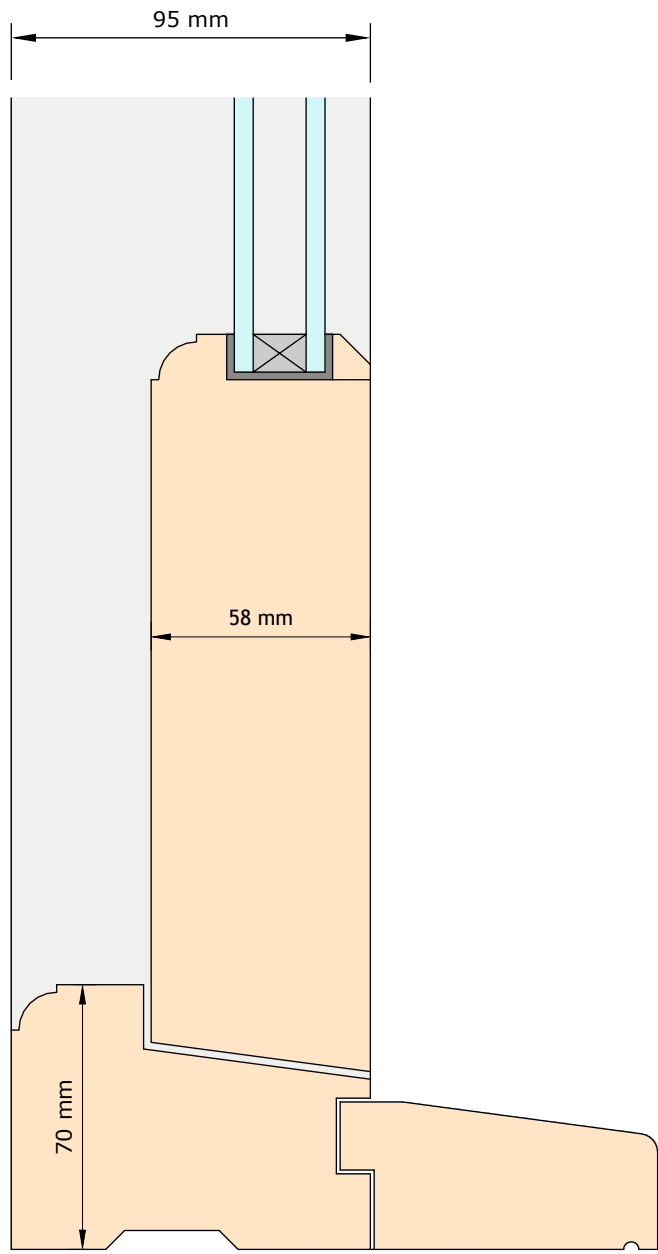


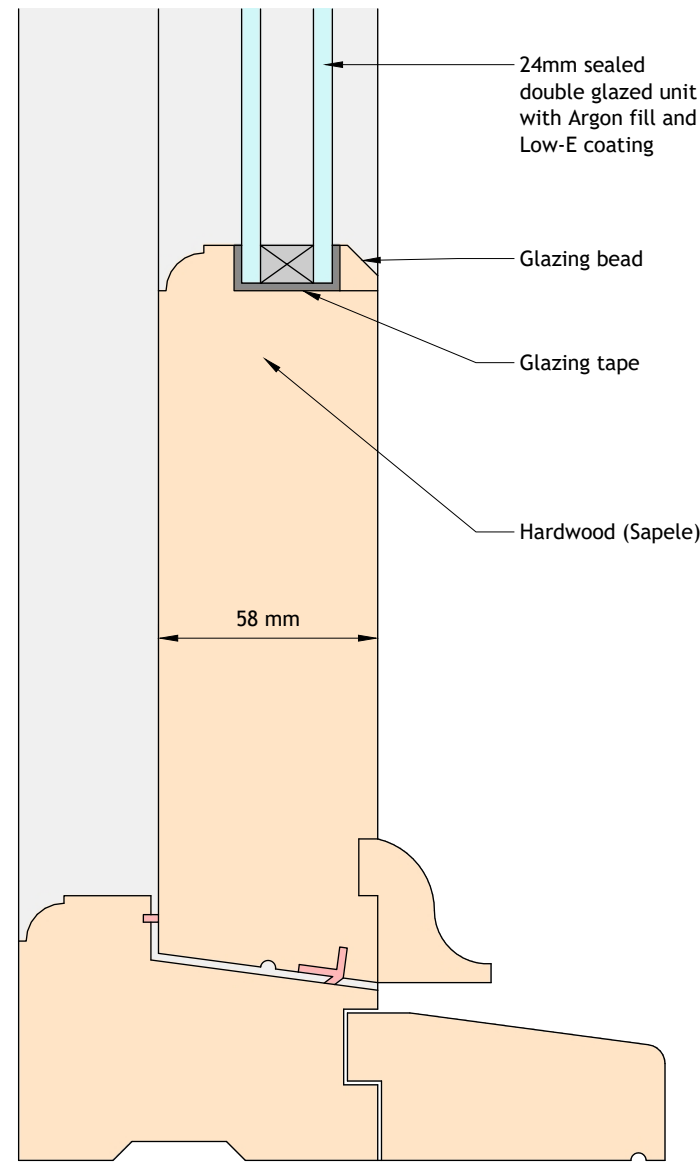
3 Door Rebate



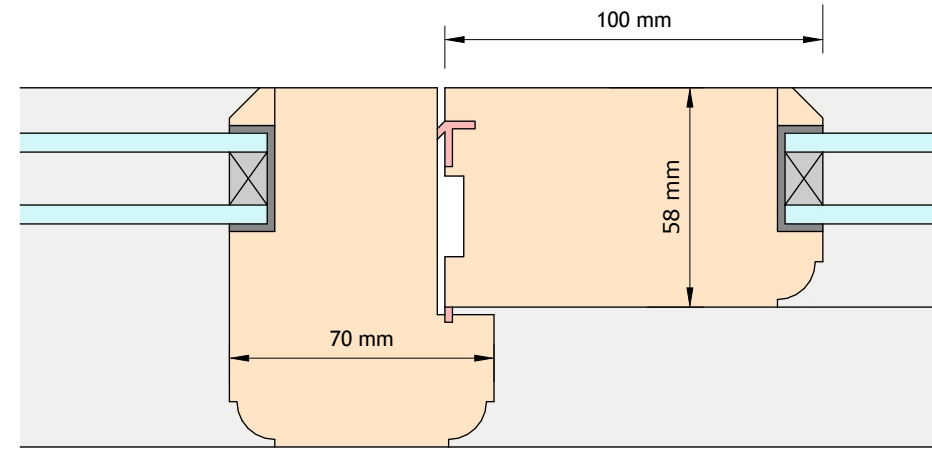
4 Casement / Door Mullion



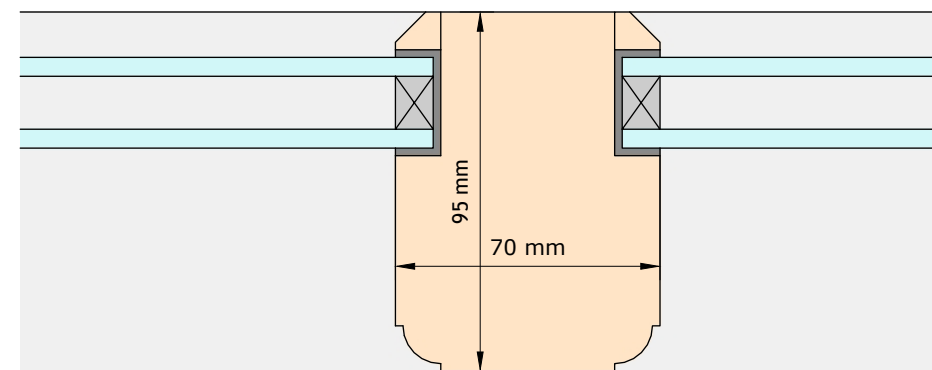
1 Fixed Light Cill



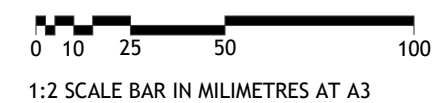
2 Door Threshold



5 Fixed Light / Door Mullion



5 Fixed Light Mullion



1:2 SCALE BAR IN MILLIMETRES AT A3

2304.8110.P1 Joinery Details 1 to 6



Client: Mr&Mrs Mortlock
 Project: Replacement Joinery
 Address: Nelsons, Moorbridge Lane,
 Harlestone, IP14 3JH

Drawing Number: 2304.8110
 Drawing Name: Joinery Details 1 to 6
 Revision: P1
 Issue Date: 23/03/2023

Stage 3 (P-Planning)
 This document is an RIBA Stage 3 document. The information illustrated on this drawing is for planning information only. Theo Arch Tech accepts no liability for use of this drawing beyond that for which it was issued.