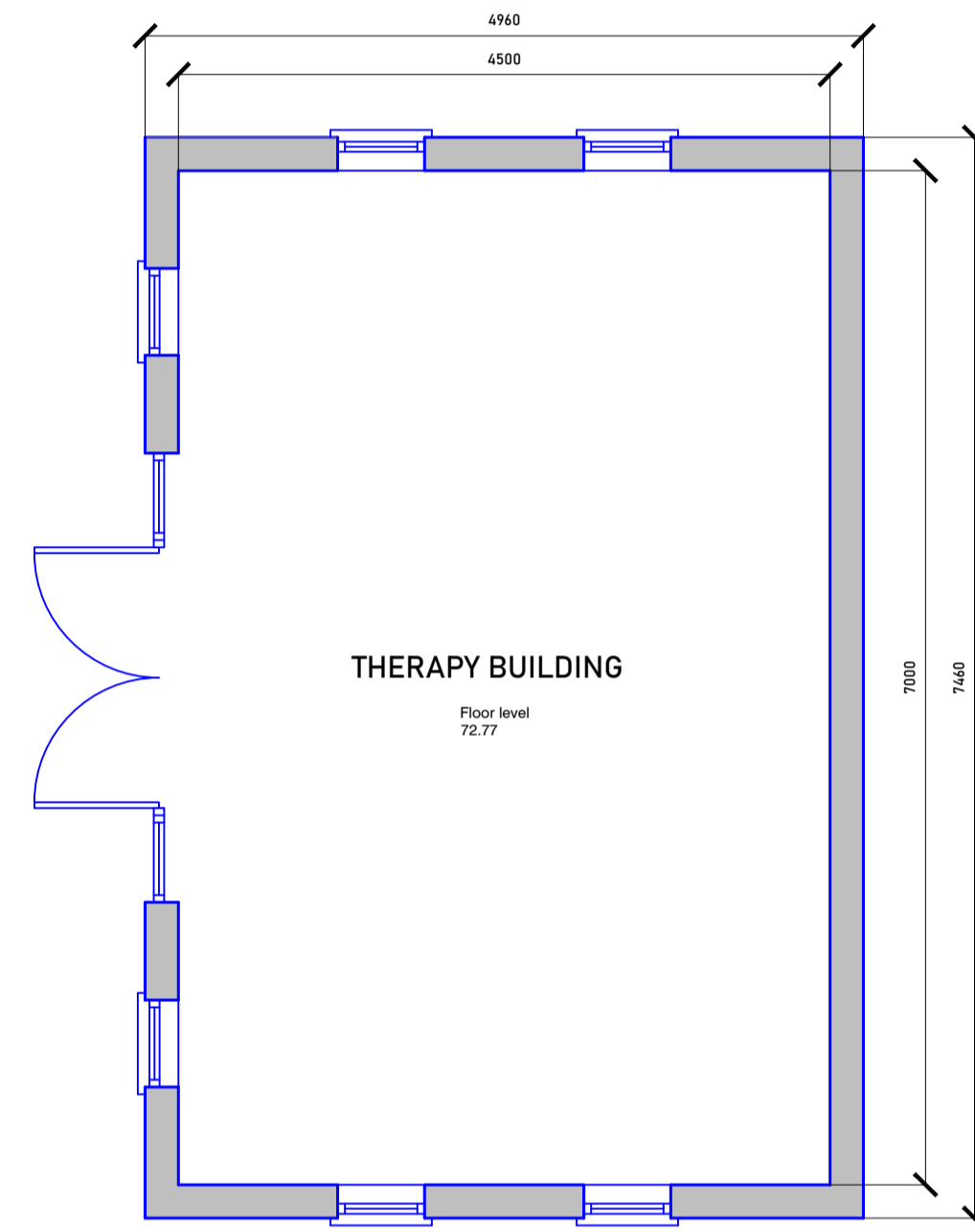
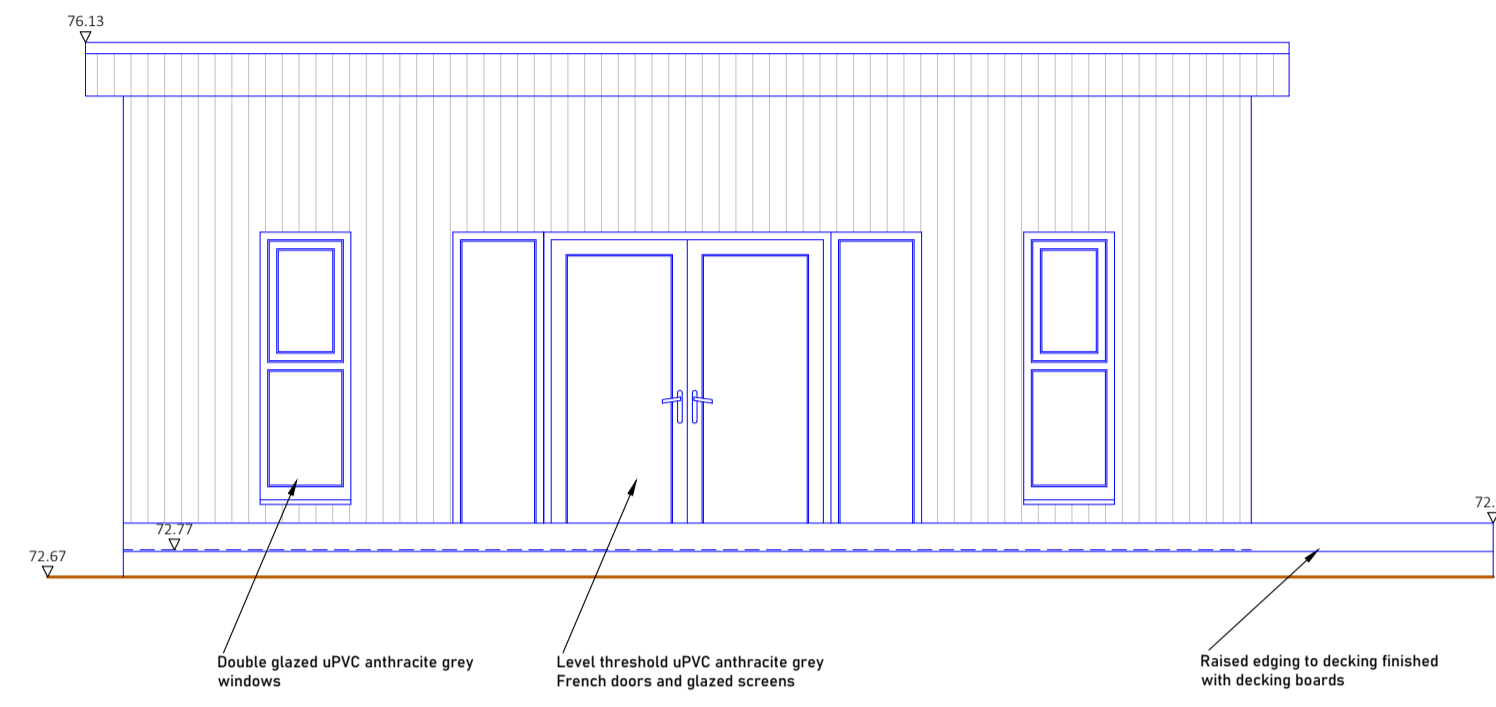


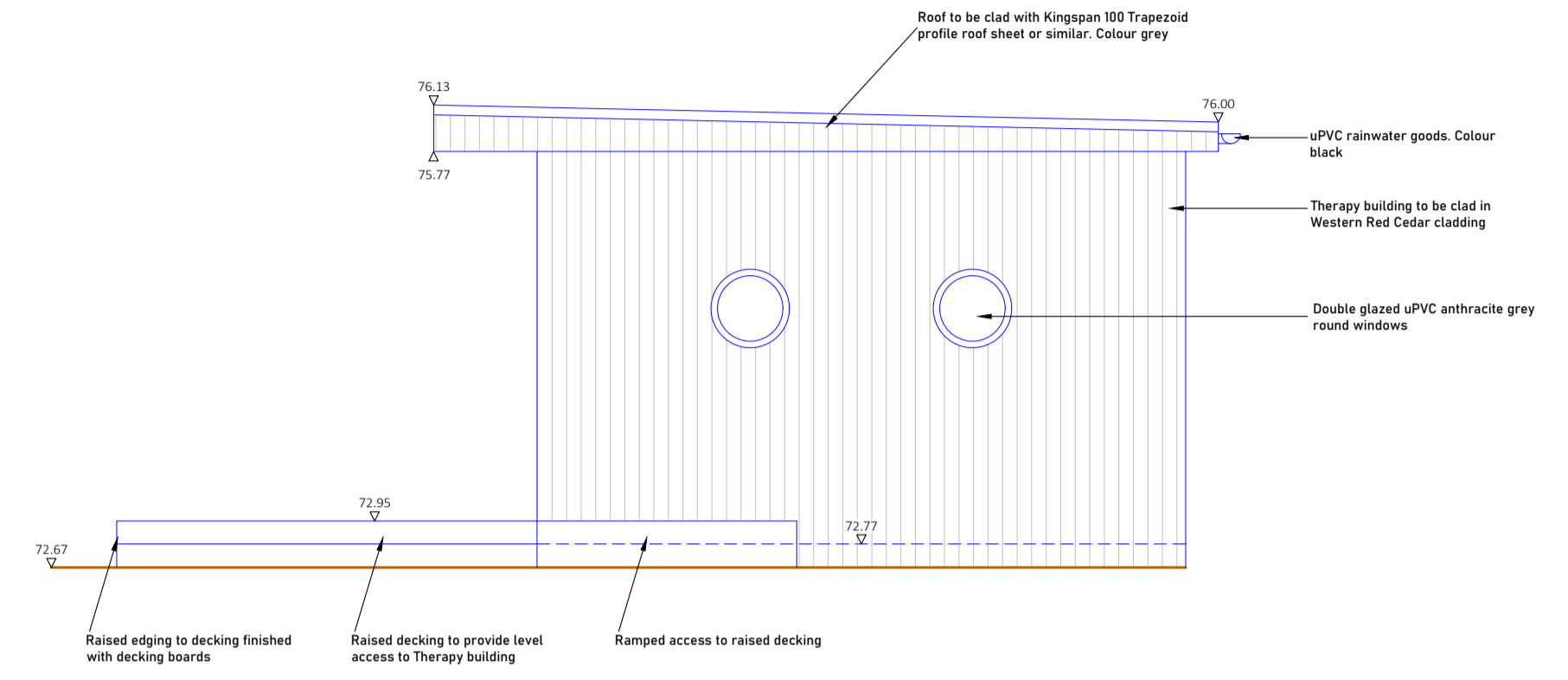
PROPOSED THERAPY BUILDING LAYOUT



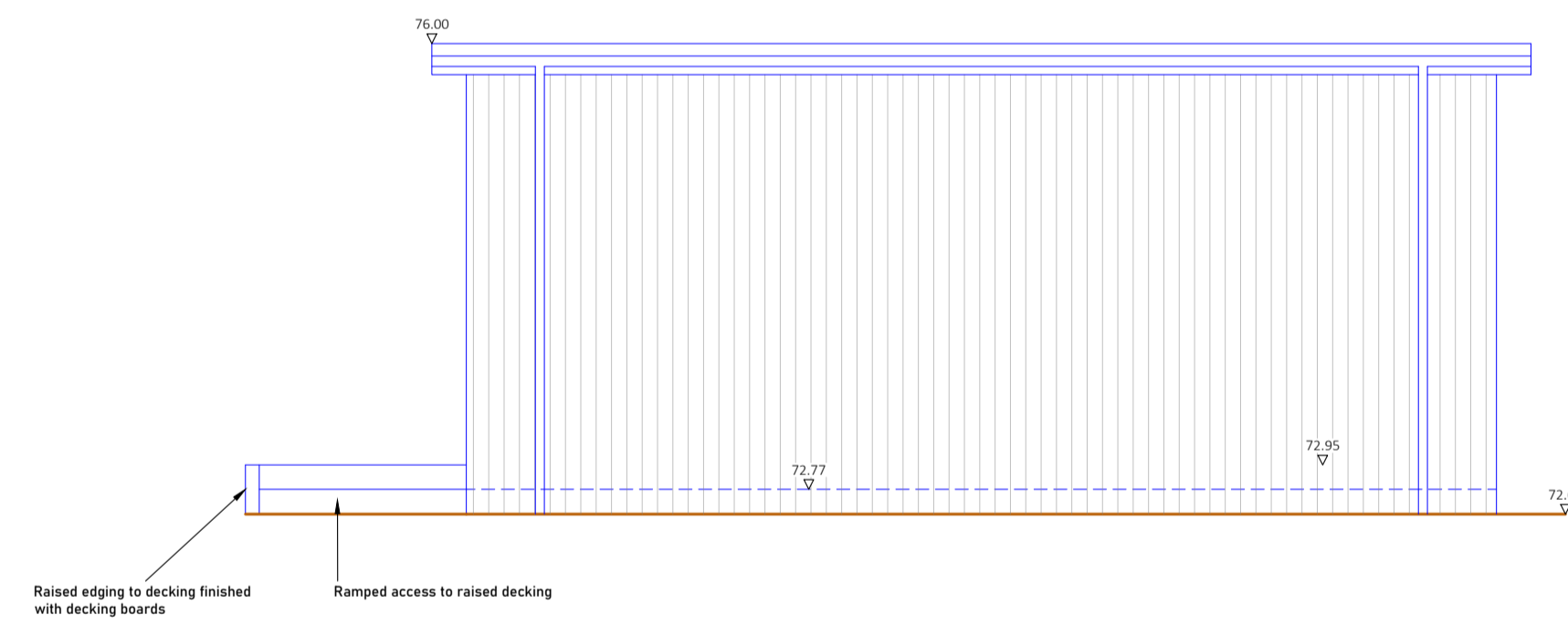
PROPOSED THERAPY BUILDING FRONT ELEVATION



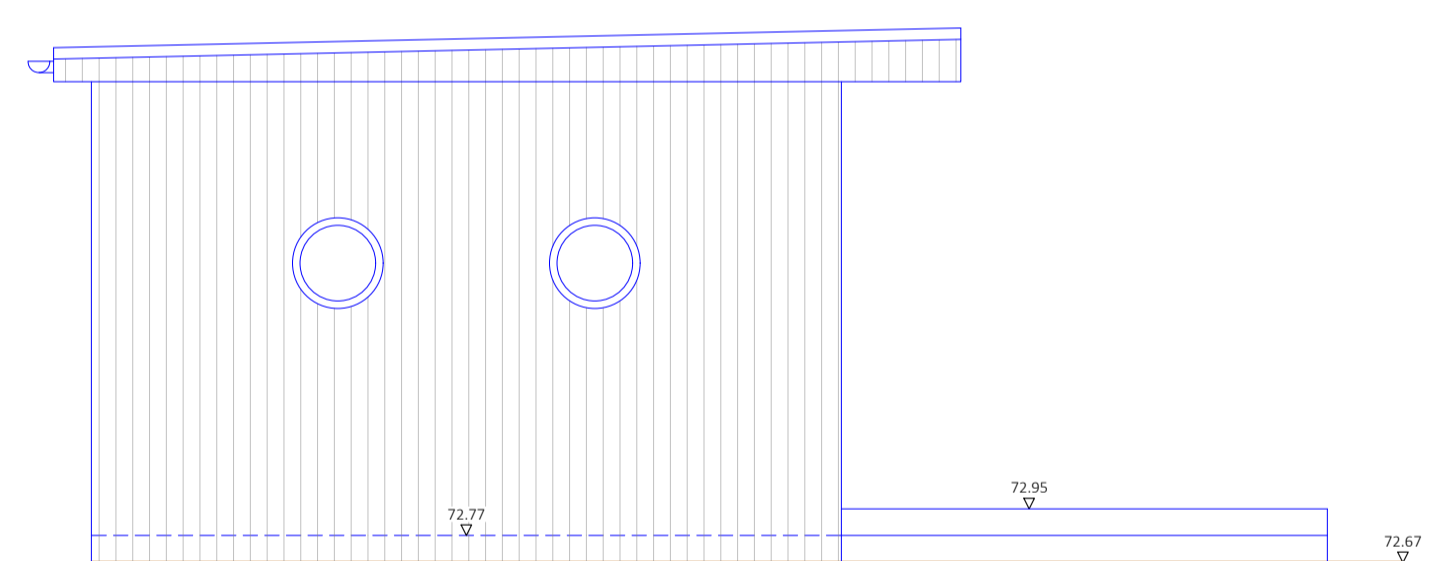
PROPOSED THERAPY BUILDING SIDE ELEVATION



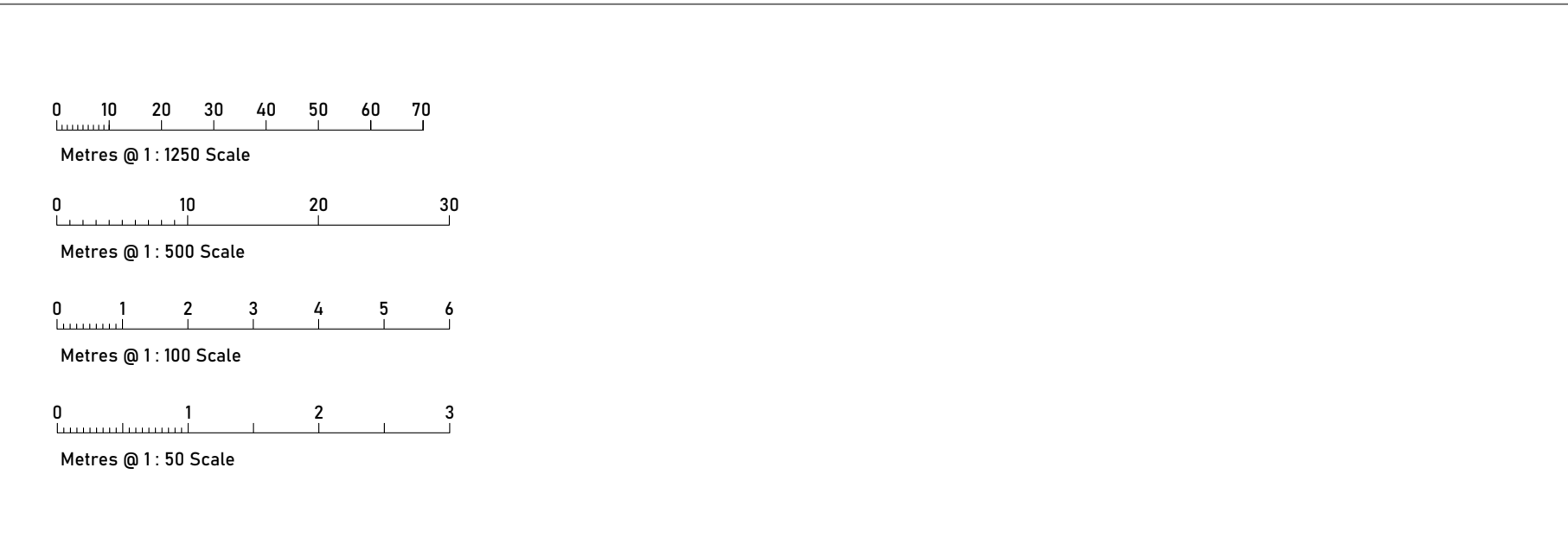
PROPOSED THERAPY BUILDING REAR ELEVATION



PROPOSED THERAPY BUILDING SIDE ELEVATION



Address	Whispers, Chatter Alley, Dogmersfield, Hants, RG27 8SS
Drawing	PLANNING - Therapy Building Layout & Elevations
Client	TC acting by his Deputy Anna Bond c/o Field Fisher LLP



Revision	308 27.04.23 Planning issue
----------	-----------------------------

Drawing No.	
5909 / 308	
Scale	Date
1:50 @ A1	APR 23
Drawn By	Revision
DNT	-