

Responsibility is not accepted for errors made by others in scaling from this drawing. Contractors must check all dimensions on site. Discrepancies must be reported immediately to the architect before proceeding. This drawing is copyright ©2023 Nash Partnership. All rights reserved.

Rev.	Date	Notes	Init.
A	03.03.23	Issued for Comment	JHC
B	10.05.23	Issued to planners	JHC



Metal Frame Colour - RAL 7016

Drawing Scale 1:5 @ A3  
 0 125 250mm

**nash partnership**

Bath : 01225 442424 | 23a Sydney Buildings, Bath, BA2 6BZ  
 Bristol : 0117 3327560 | The Generator, Counterslip, Redcliffe, Bristol, BS1 6BX  
 www.nashpartnership.com  
 mail@nashpartnership.com

File Name: 22098-NP-1-XX-DR-A-4101

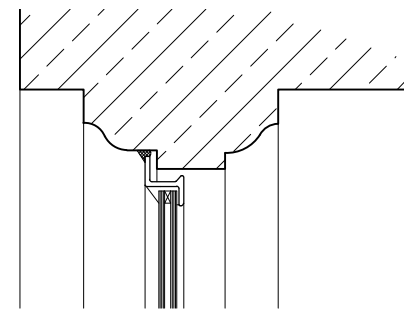
**PLANNING**

Job Number	Originator	Zone	Level
22098	NP	1	XX
Type	Role	Drawing Number	Revision
DR	A	4101	B

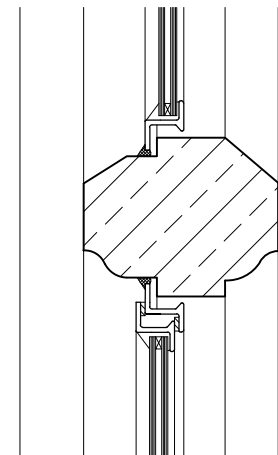
Project  
 Rectory Farmhouse, 39 Toghill Lane,  
 Doynton, South Gloucestershire

Title  
 Proposed Replacement Windows -  
 SMW Profile Details

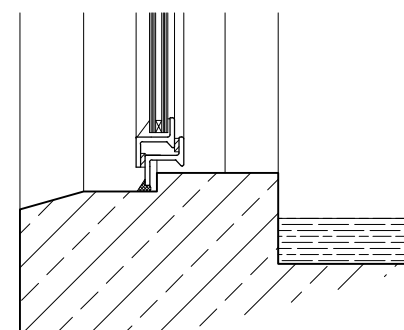
Drawn by	Project Manager	Scale
JHC	DL	1:5 & 1:1 @ A3



Head Detail - 1:5

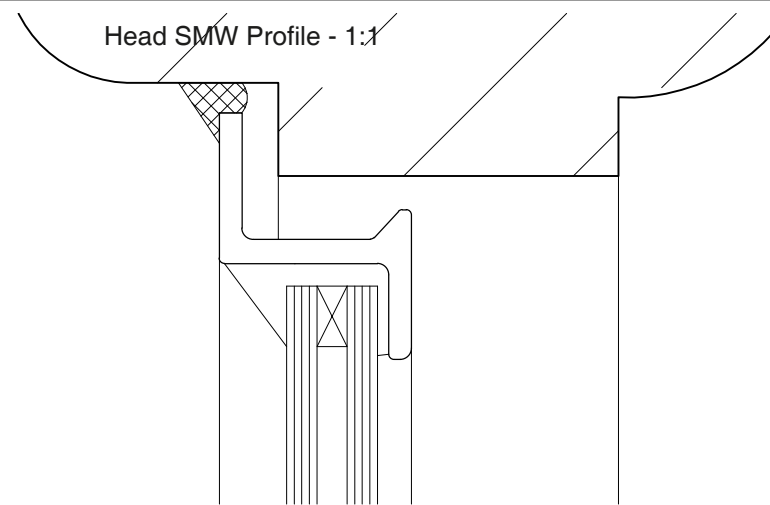


Transom Detail - 1:5



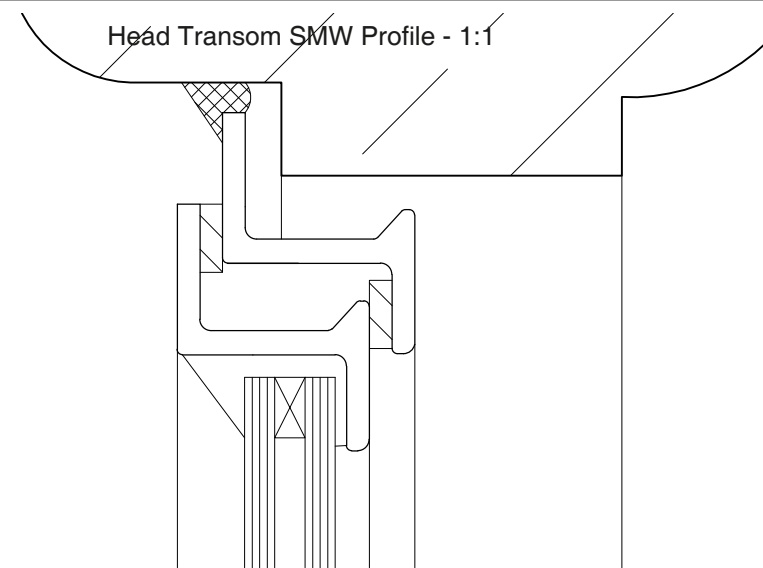
Cill Detail - 1:5

SMW section profiles 1:5



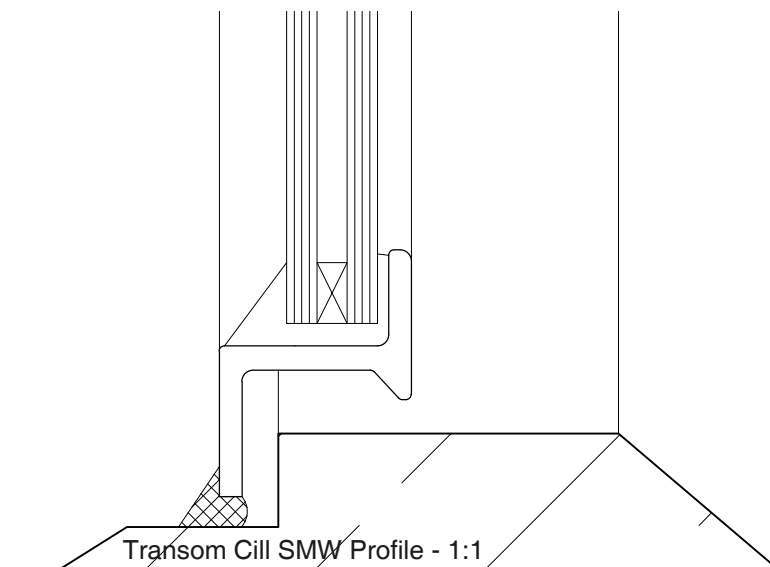
Head SMW Profile - 1:1

SMW fixed frame section detail 1:1

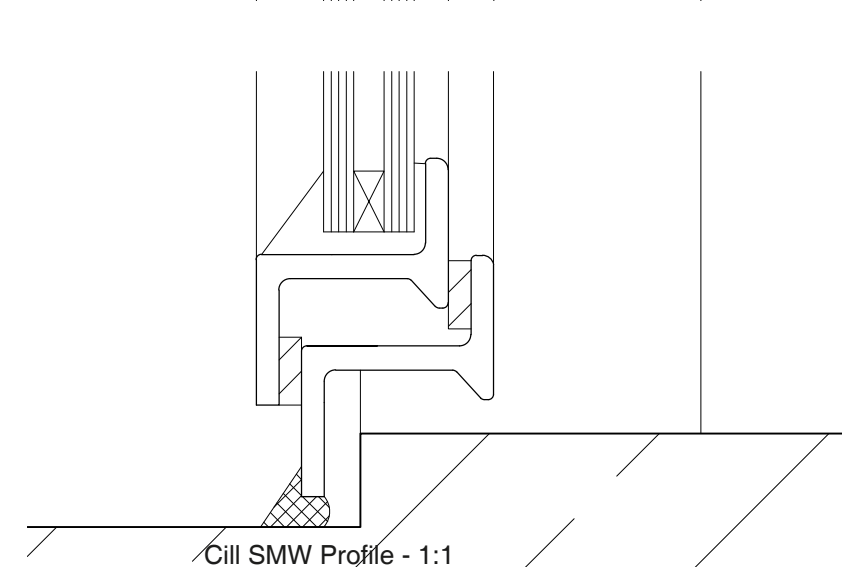


Head Transom SMW Profile - 1:1

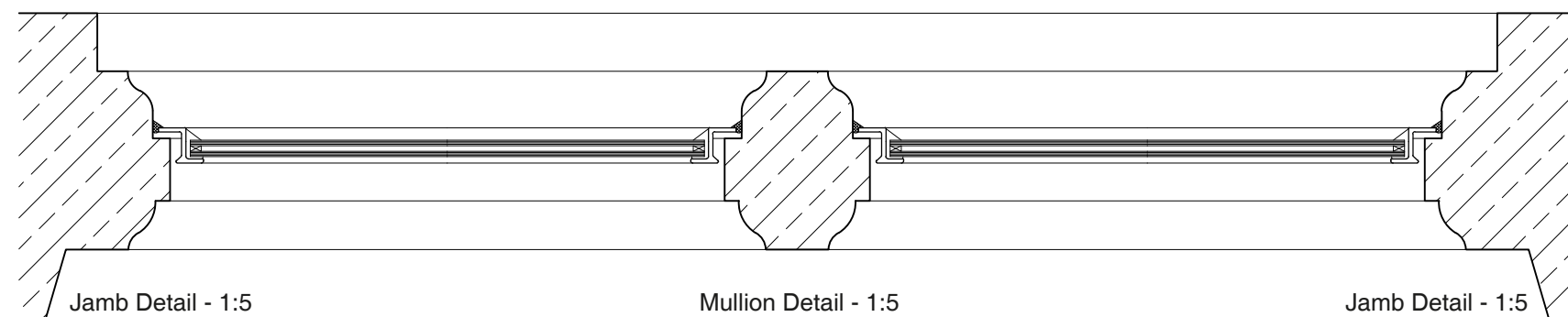
SMW side hung section detail 1:1



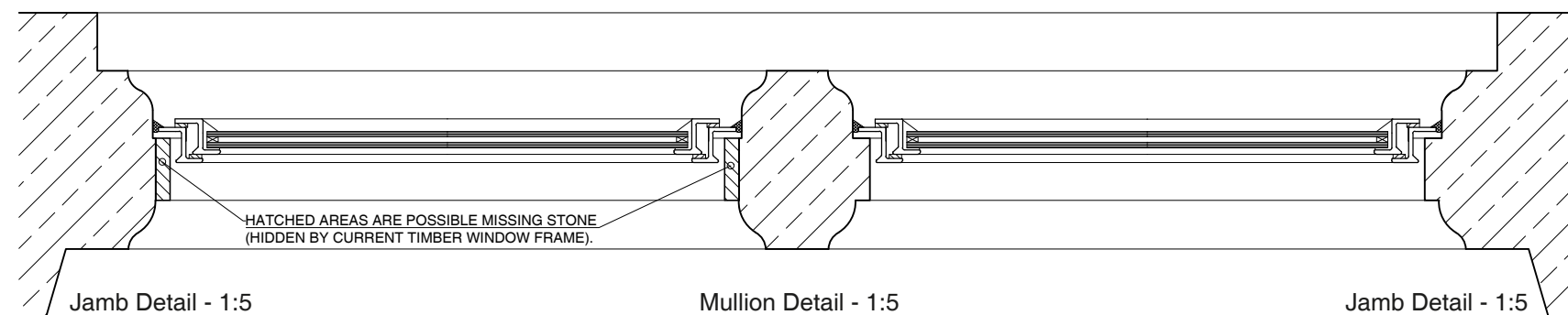
Transom Cill SMW Profile - 1:1



Cill SMW Profile - 1:1



SMW fixed frame plan profiles 1:5



SMW side hung plan profiles 1:5

HATCHED AREAS ARE POSSIBLE MISSING STONE  
 (HIDDEN BY CURRENT TIMBER WINDOW FRAME).