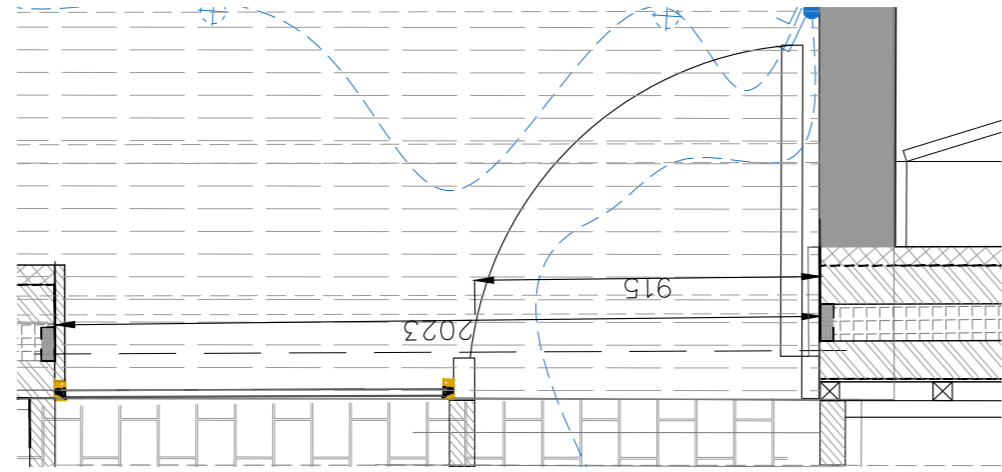
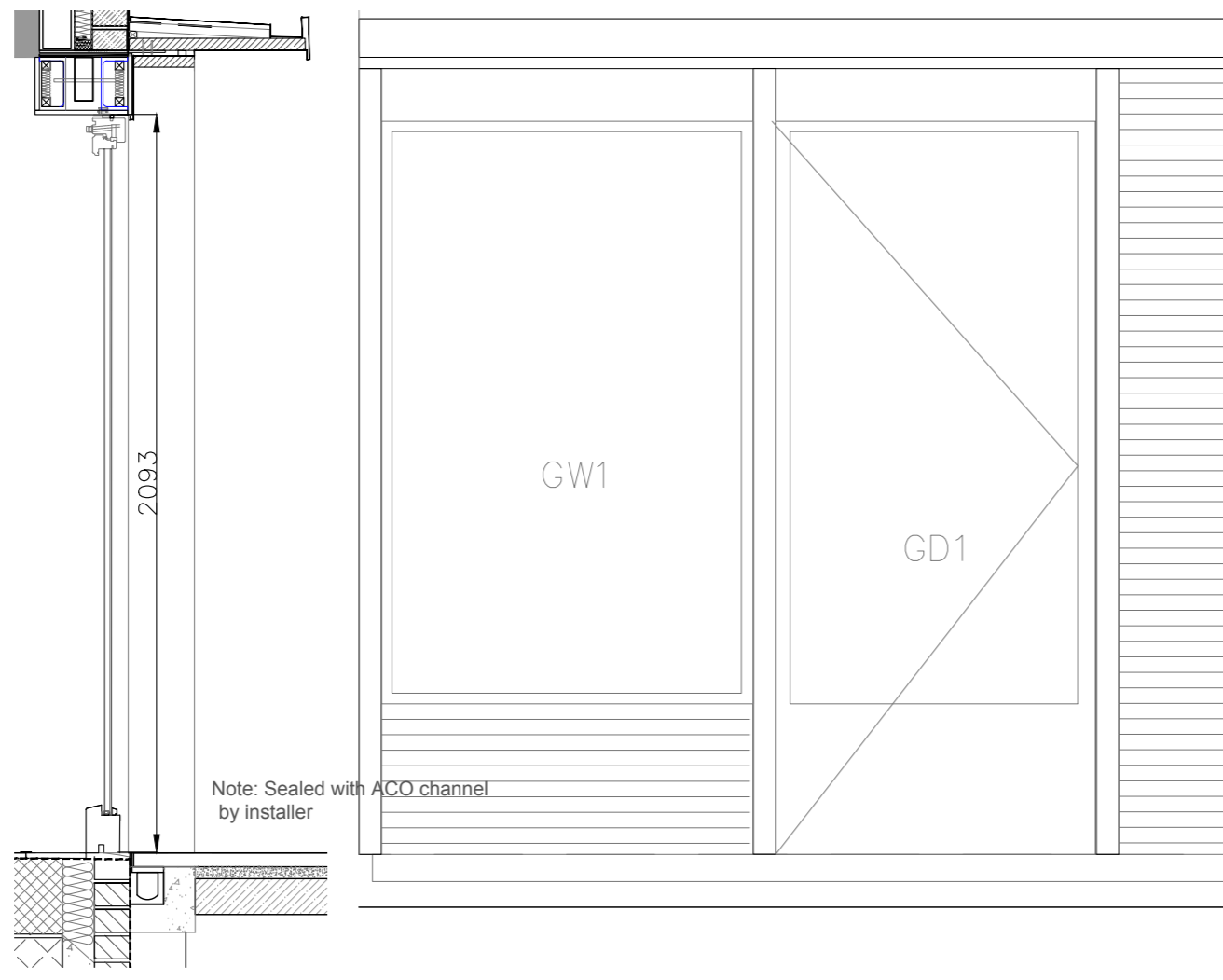
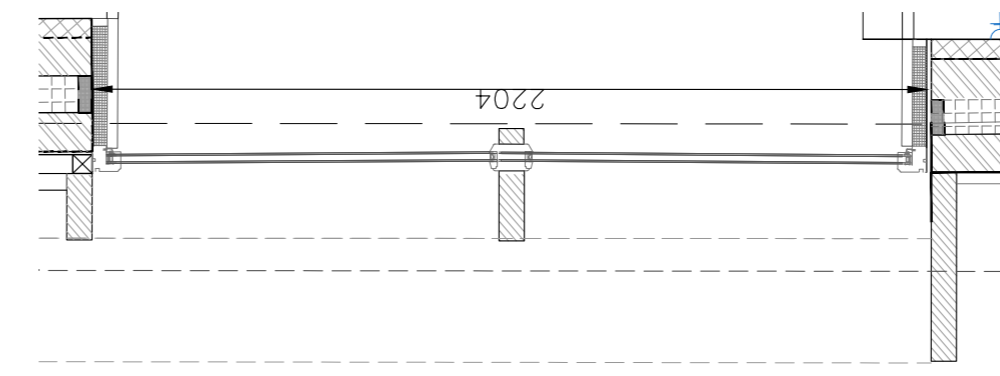
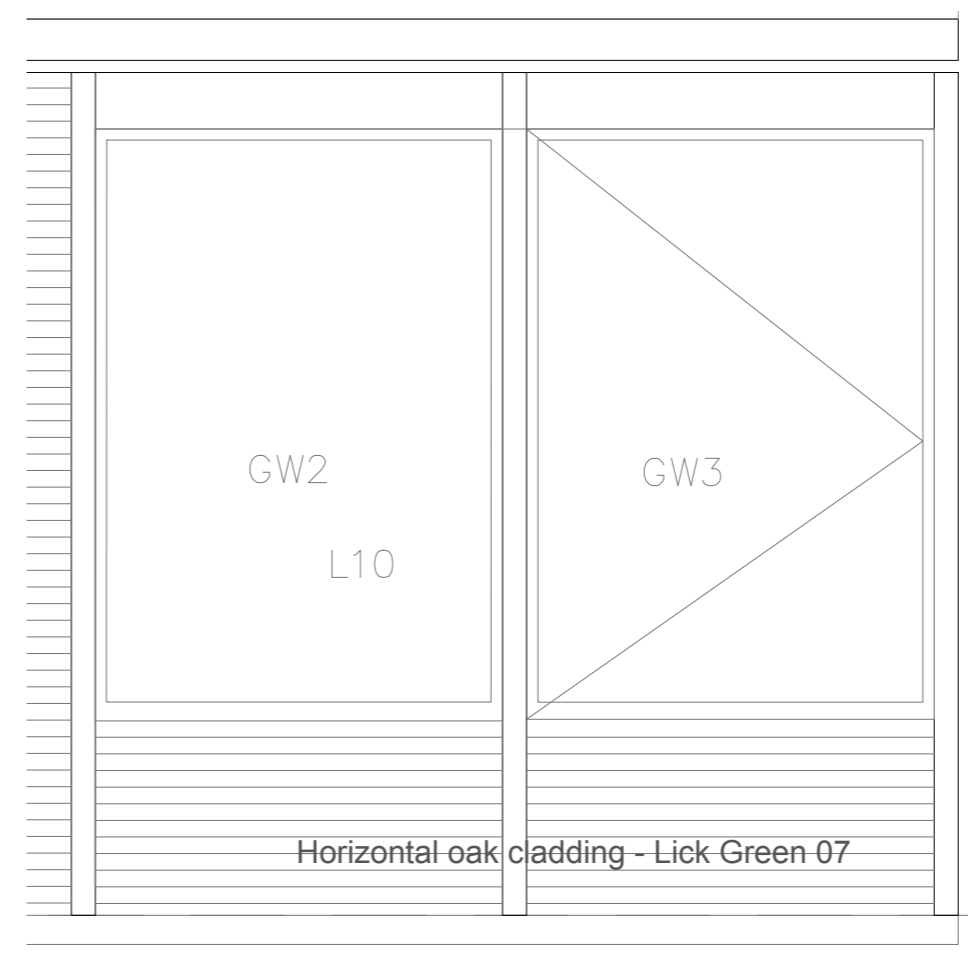


**NEW GLAZED ENTRANCE DOORS**

- New double glazed and painted hardwood framed fixed panel and European Oak door.
- U value 1.3w/m2K and to accommodate a barrier load as BS EN 1991-1-1: 2002, BS EN 1991-1-7:2006+A1:2014
  - Toughened glass for impact to B6 6262
  - Door to be contractor design
  - Color- Lick Green 07 (oak cladding)
  - 8000mm2 trickle vent
  - Door screen to incorporate laminated glass and a 5 point locking system.



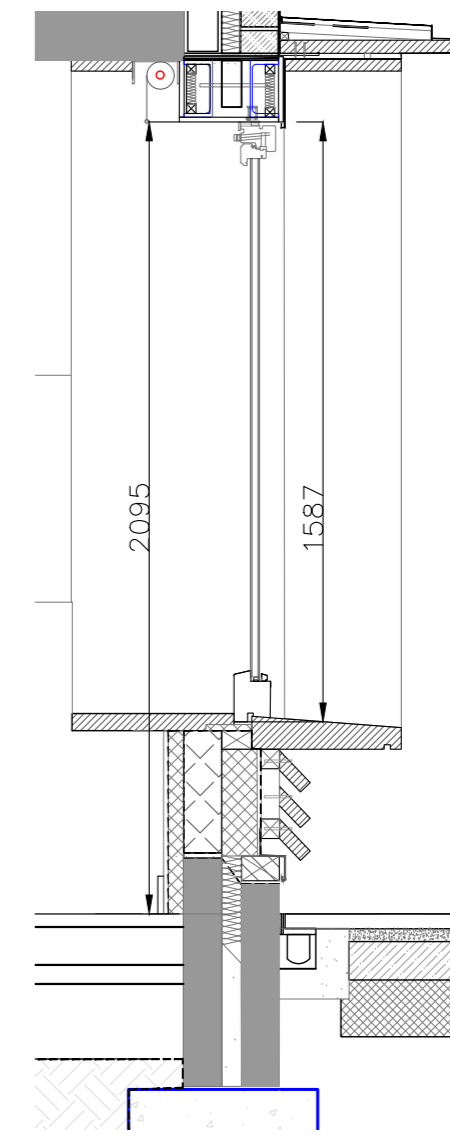
New glazed entrance door as proposed 1:20



Extension windows as proposed 1:20

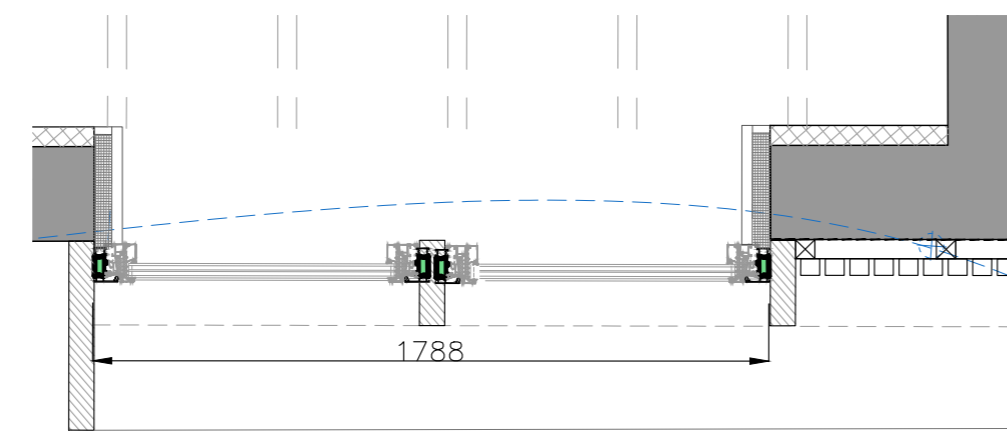
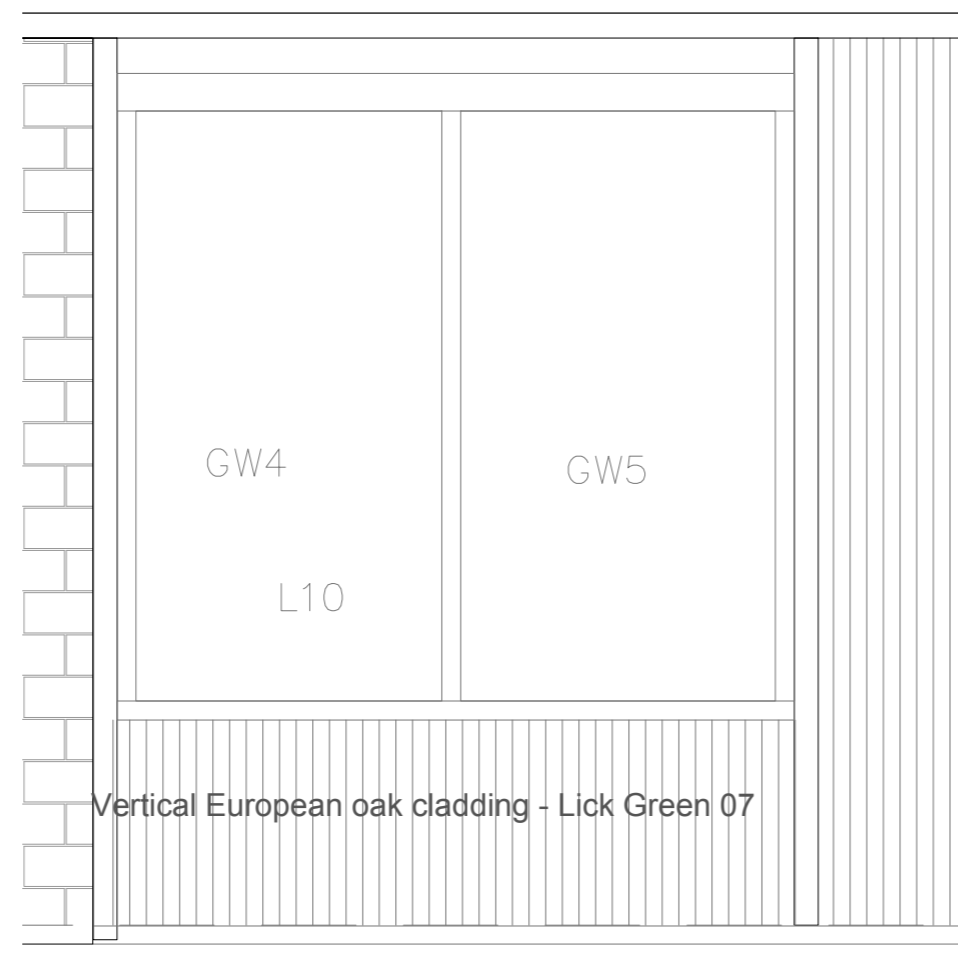
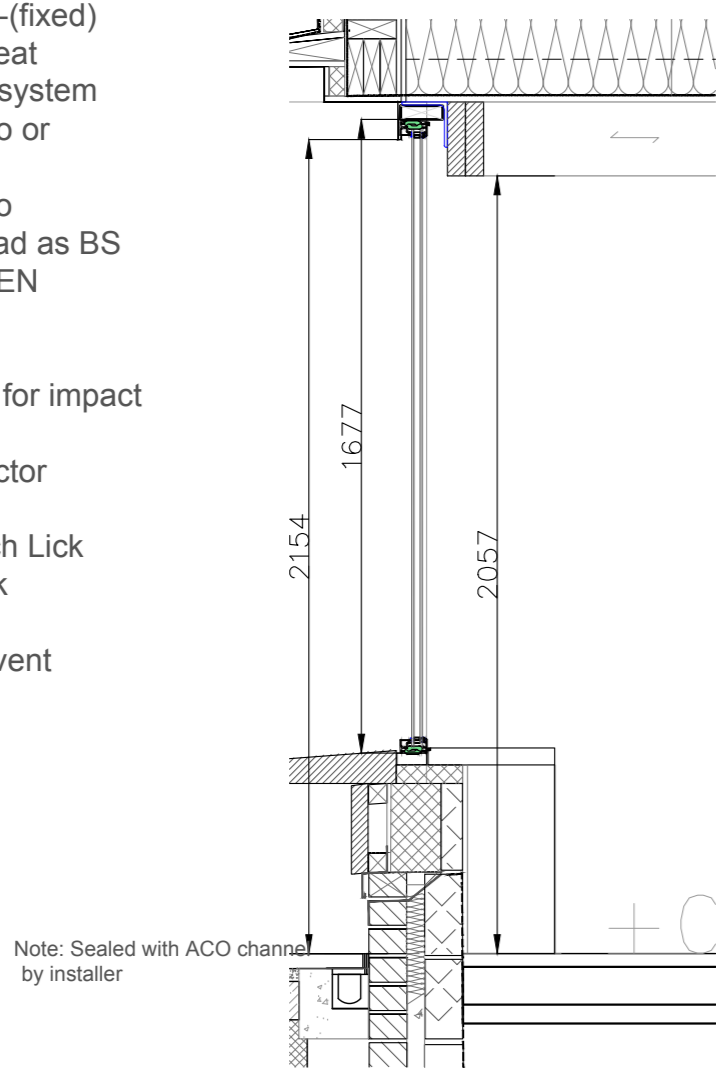
**EXTENSION WINDOW -(fixed with openable vent panel.)**

- Aluminum slimline door system (20mm interlock). Cortizo or similar
- U value 1.3w/m2K and to accommodate a barrier load as BS EN 1991-1-1: 2002, BS EN 1991-1-7:2006+A1:2014
- Toughened glass for impact to B6 6262
  - Door to be contractor design
  - RAL color to match Lick Green 07 (oak cladding)
  - 8000mm2 trickle vent

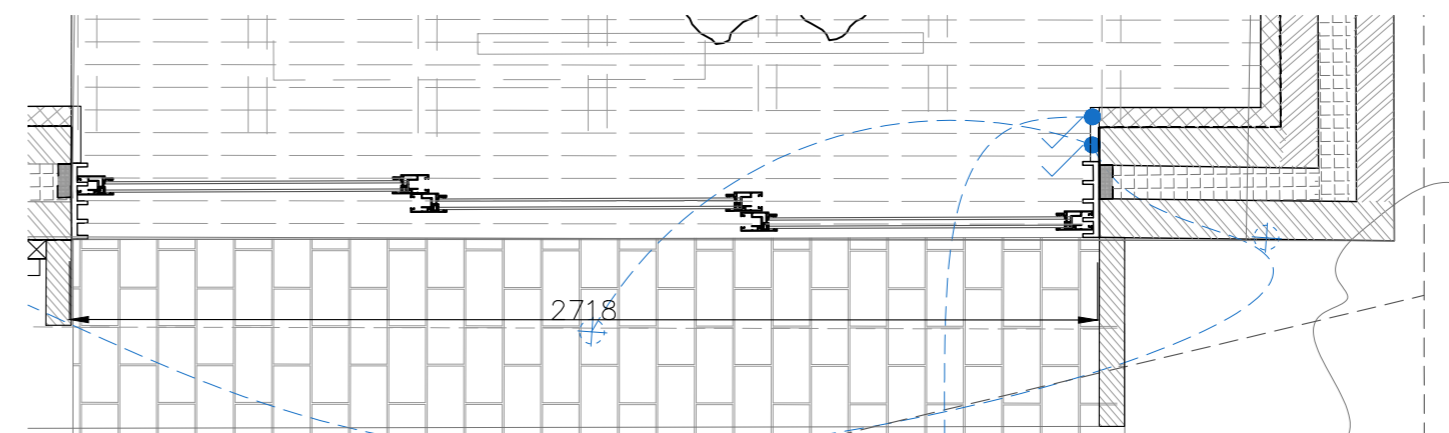
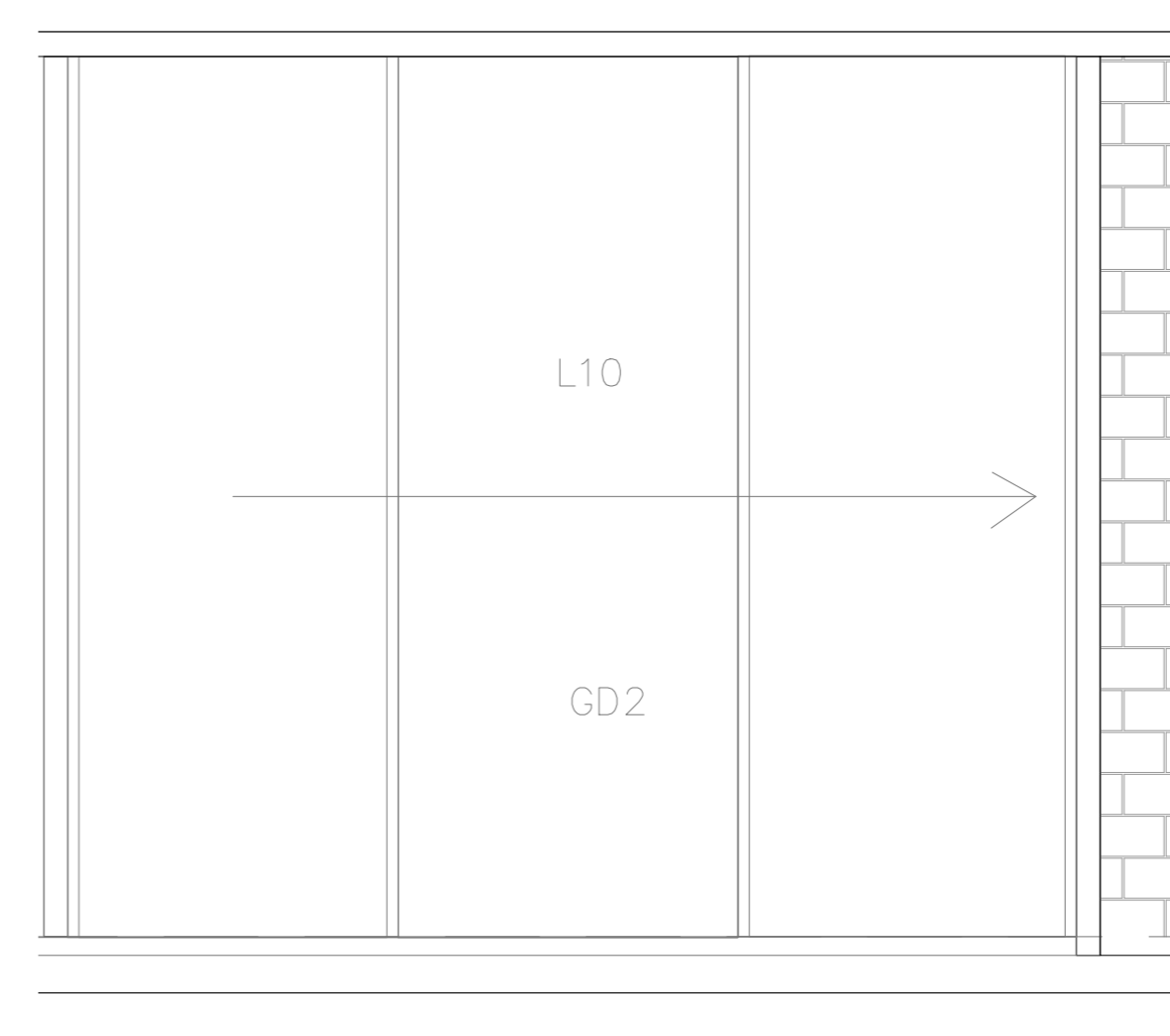


**EXTENSION WINDOW -(fixed)**

- Large viewing window seat Aluminum slimline door system (20mm interlock). Cortizo or similar
- U value 1.3w/m2K and to accommodate a barrier load as BS EN 1991-1-1: 2002, BS EN 1991-1-7:2006+A1:2014
- Toughened glass for impact to B6 6262
  - Door to be contractor design
  - RAL color to match Lick Green 07 (European oak cladding)
  - 8000mm2 trickle vent



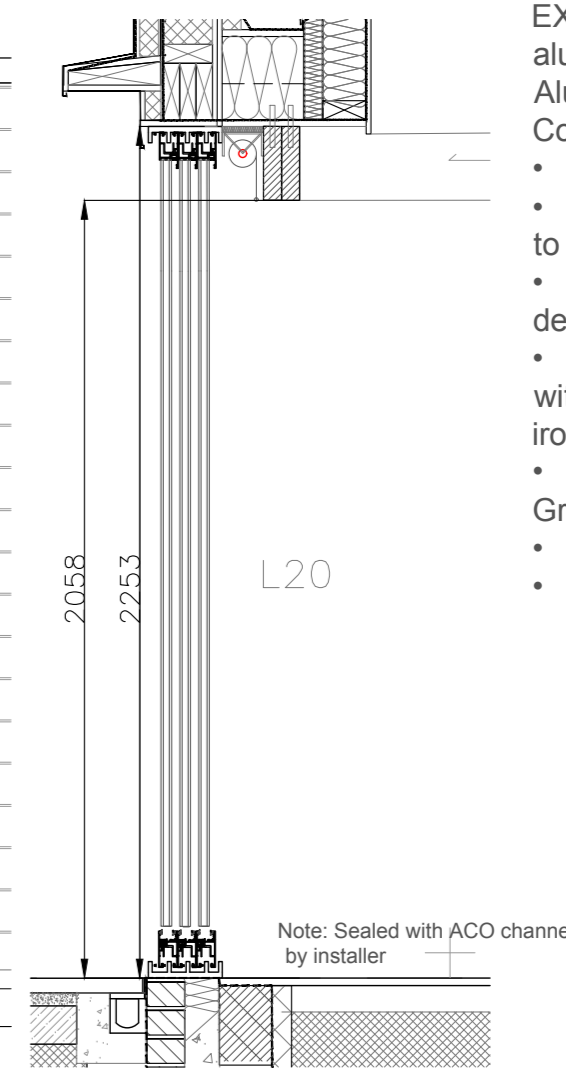
Extension window as proposed 1:20



External sliding door as proposed 1:20

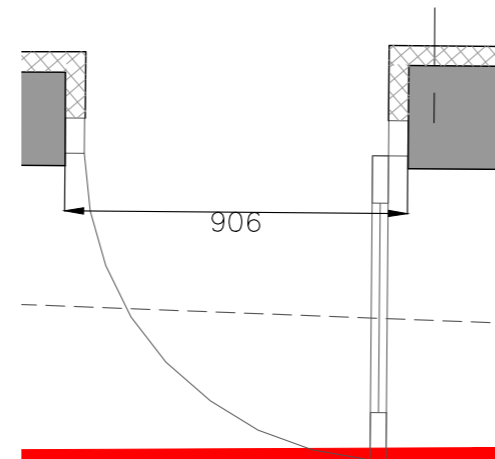
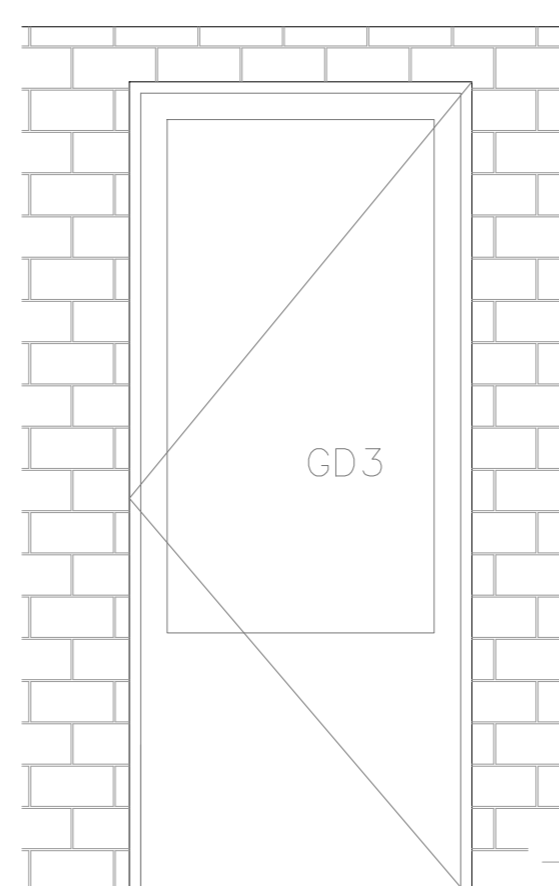
**EXTERNAL SLIDING DOOR - aluminum and glazing**

- Aluminum slimline door system. Cortizo or similar
- U value 1.3w/m2K
  - Toughened glass for impact to B6 6262
  - Door to be contractor design
  - Multipoint locking system with brushed brass finished to ironmongery
  - RAL color to match Lick Green 07
  - Glazing as L20
  - 8000mm2 trickle vent

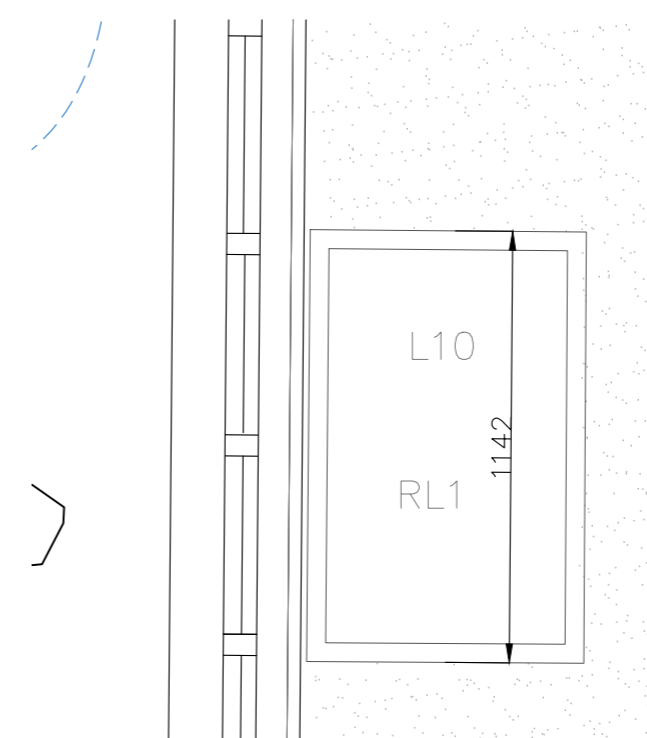
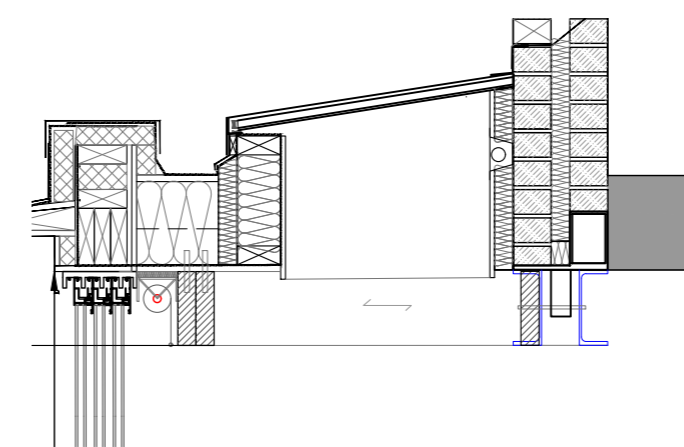


**NEW SIDE DOOR**

- New double glazed and painted hardwood framed fixed panel and European Oak door.
- U value 1.3w/m2K and to accommodate a barrier load as BS EN 1991-1-1: 2002, BS EN 1991-1-7:2006+A1:2014
  - Toughened glass for impact to B6 6262
  - Door to be contractor design
  - Color- Lick Green 07 (oak cladding)
  - 8000mm2 trickle vent
  - Door screen to incorporate laminated glass and a 5 point locking system.



Side door as proposed 1:20



Rooflight as proposed 1:20

**Rooflight - Rooflight as L10 - aluminum framed roof light**

- U value 1.2w/m2K
- Toughened glass for impact to BS6262
- Rooflight to be contractor design
- Self cleaning low G. glazing

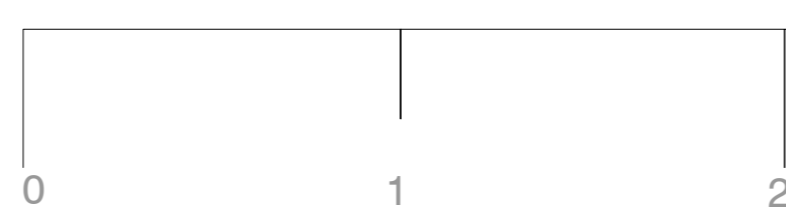
Note: These layouts are preliminary until further surveys are undertaken. Note all dimensions are approximate

Note: This drawing is copyright  
 Note: to be read in conjunction with Structural Engineers Information, specification and drawings  
 All setting out dimensions to be checked on site by contractor and any discrepancies to be noted ASAP.  
 Windows, steelwork, to be site sized.  
 All sundry work not shown to be undertaken in accordance with the British standards

Michael Collins Architect LLP

124 Chapel House  
 124 Proposed window and door schedule  
 Stage: 4  
 Status:

060  
 REVISION B  
 Scale 1:20 @ A1



12 Purwell Lane  
 Haverly, SG4 0NE  
 01452 238866  
 michael@michaelcollinsarchitects.com  
 www.michaelcollinsarchitects.com

Note: Guarantees to be supplied for all glazing systems

Note: All windows to be site sized.

Note: Drawings to be provided by contractor prior to fabrication.

Note: All dimensions to be confirmed on site