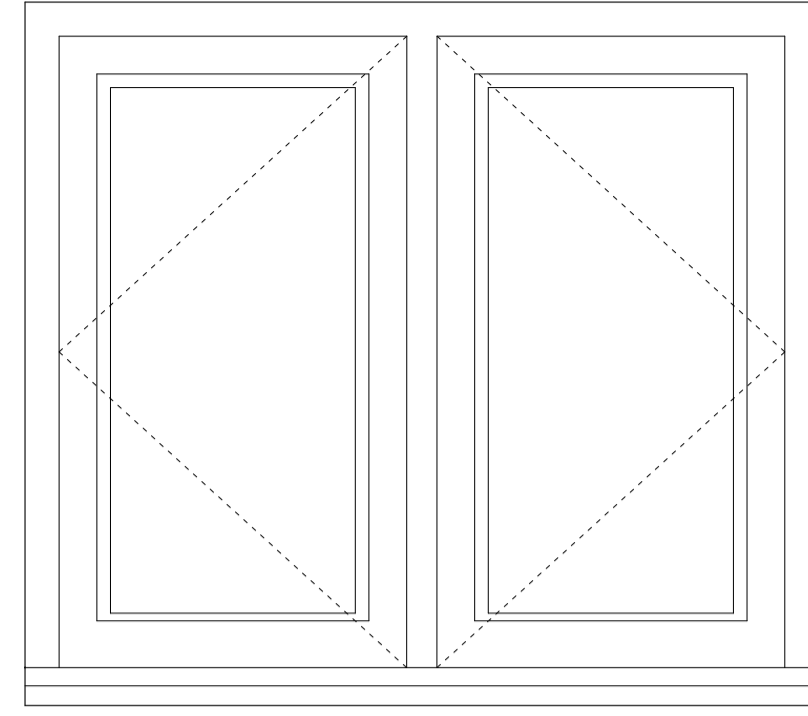
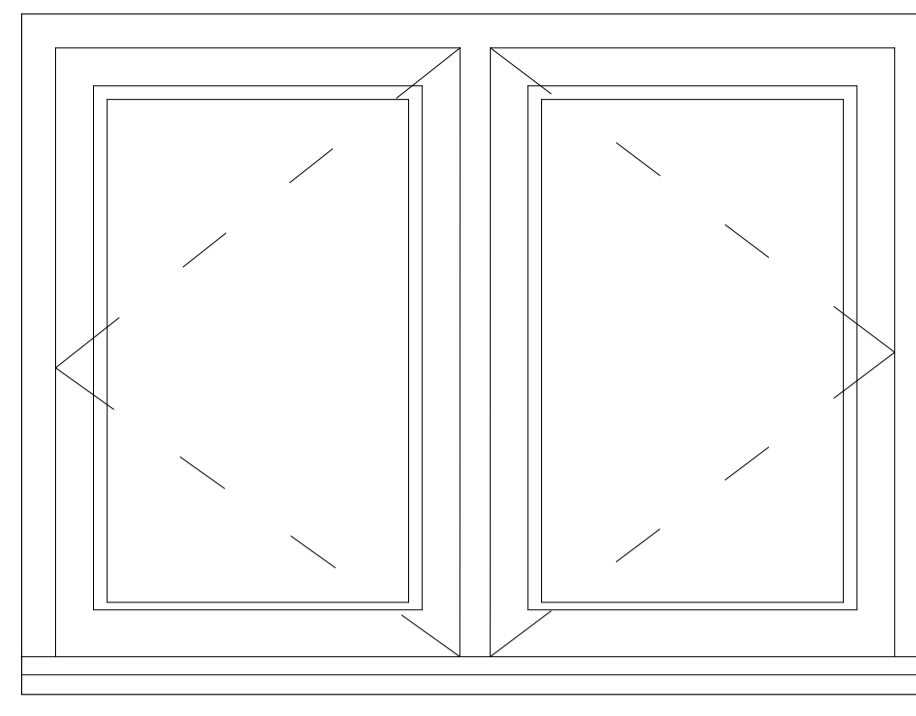


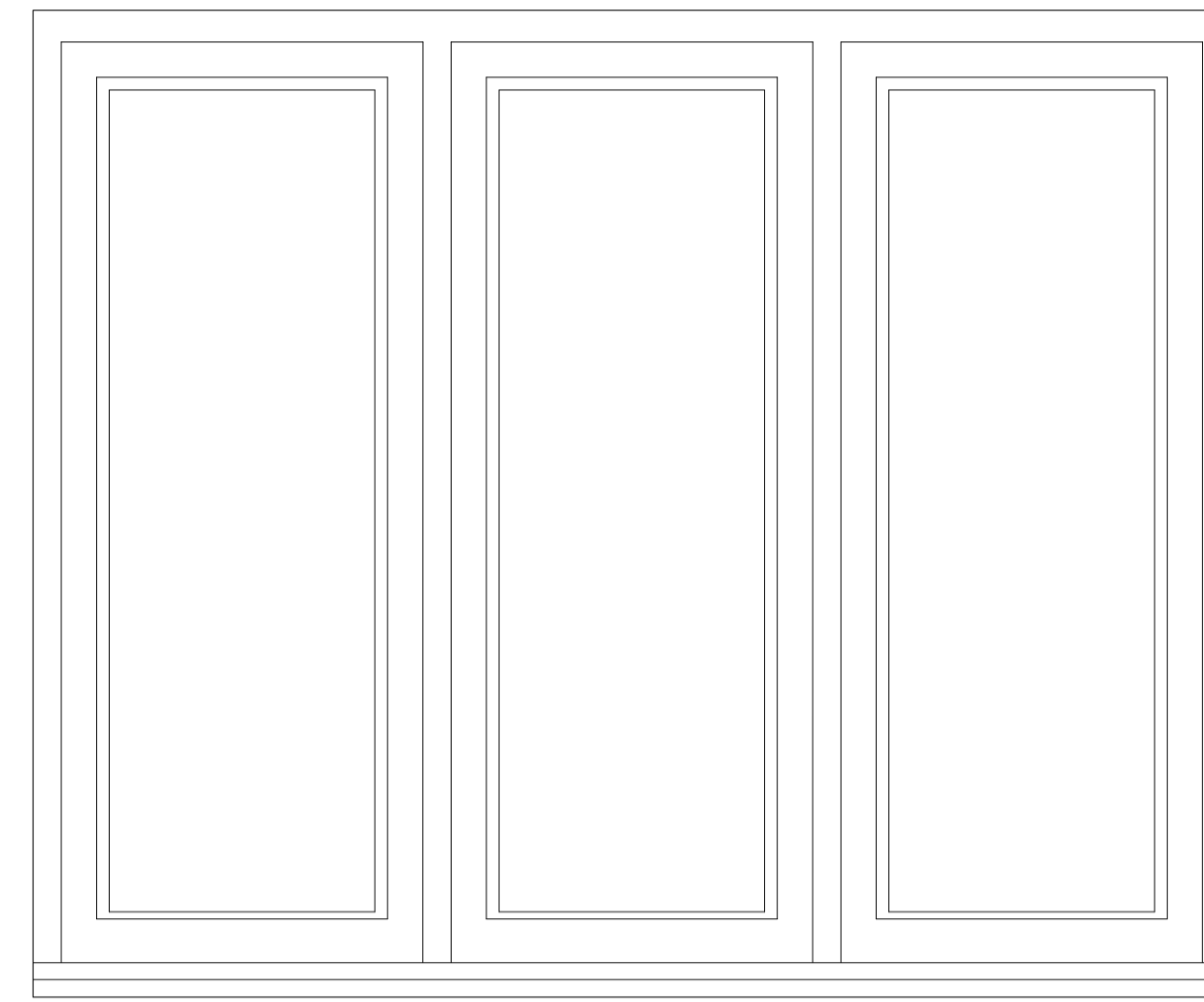
Cart Shed window
1:10



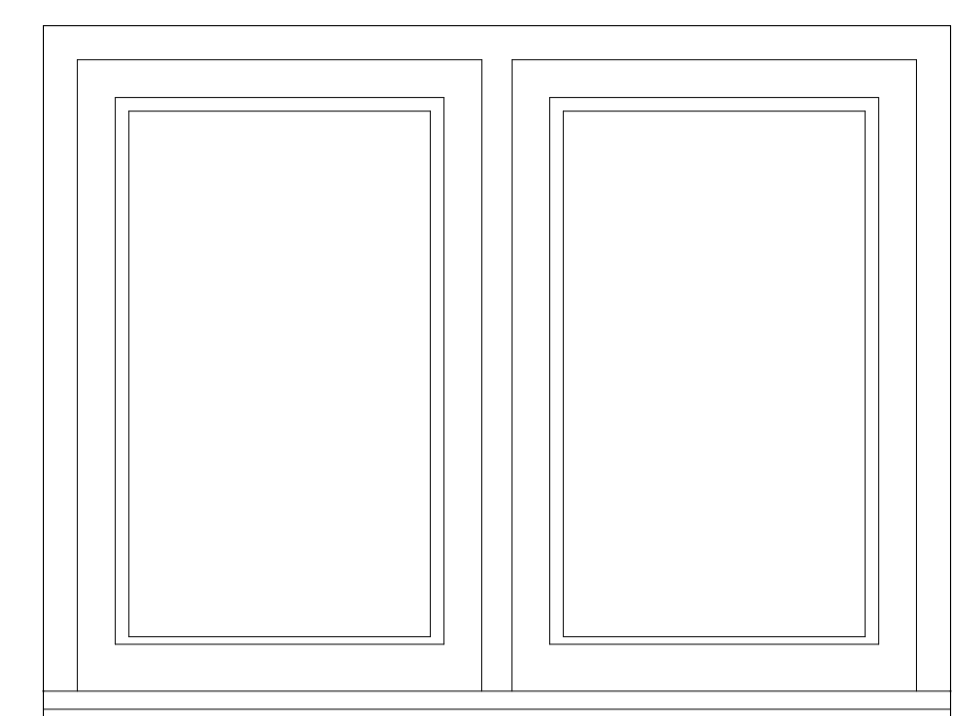
Cart Shed window
1:10



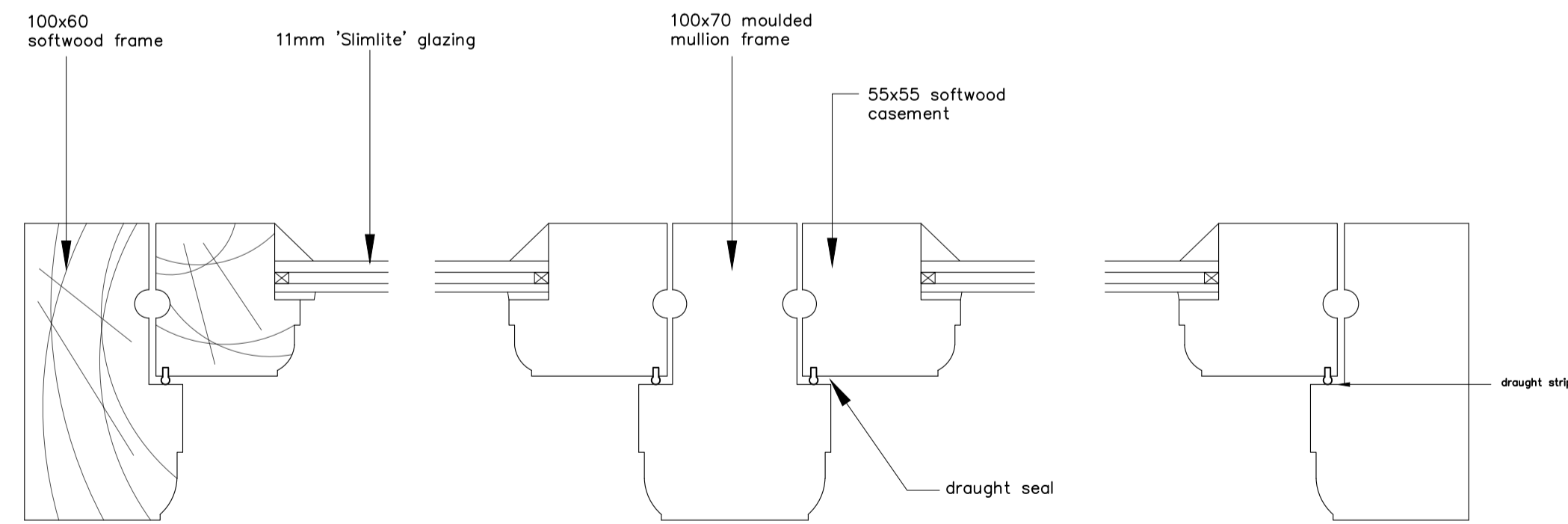
Boot room window
1:10



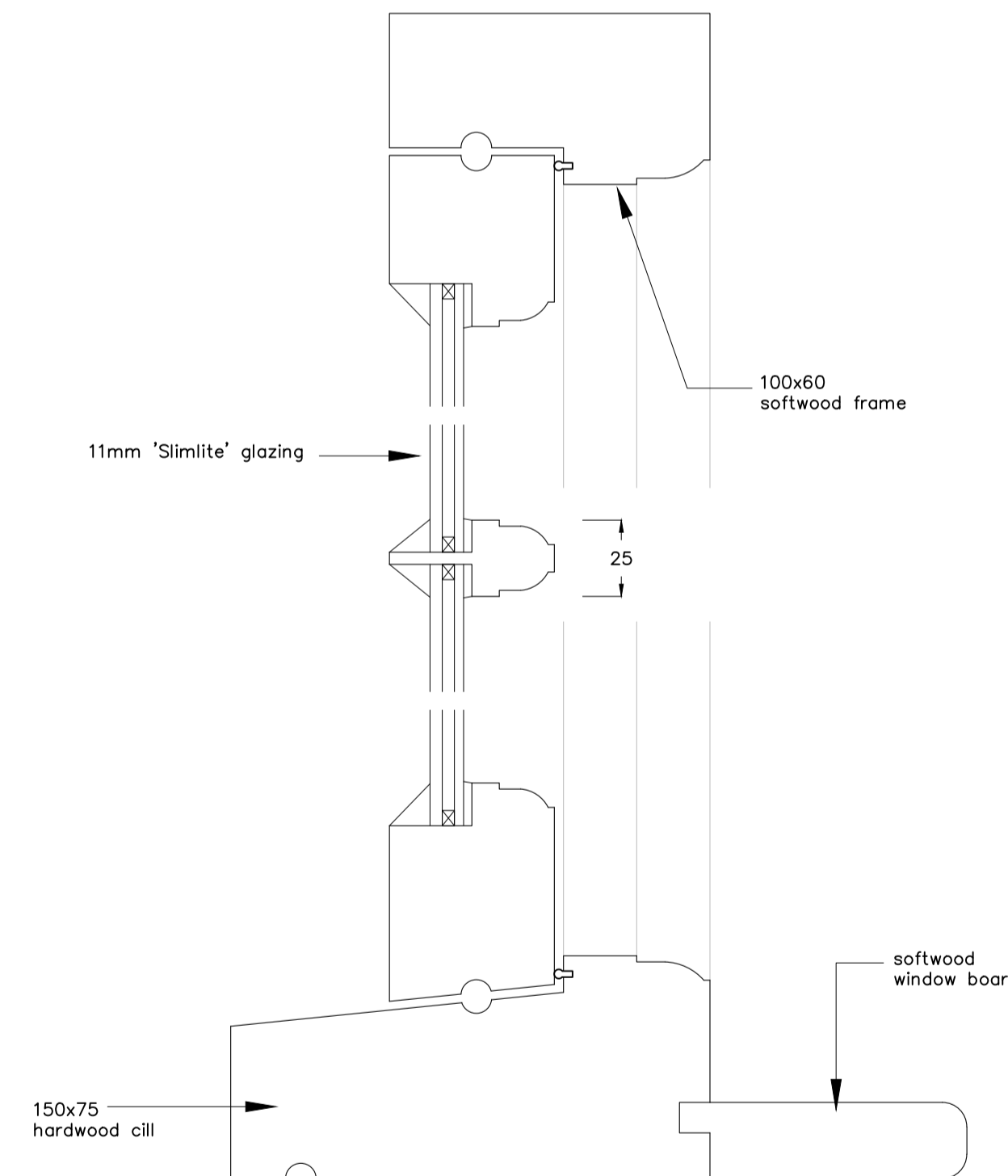
Dining room (west) window
1:10



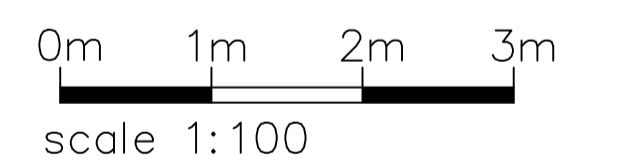
landings (east) window
1:10



Casement window - horizontal section 1:2



Vertical section through casement window 1:2



revision	description	date

Client:
Mr M Dunn & Ms G Turpie
 Job Title:
Cousens Farm
 Drawing Title:
Window details
 Scale: _____ Drawn By: _____ Date: _____
 1:10 1:2 @ A1 MS Jan 2023
 Job Number: _____ Drawing Number: _____ Status: _____
6842 13.0 Planning

whitworth
 Chartered Architects & Chartered Building Surveyors
 Unit 12 Park Farm, Fornham St Genevieve, Bury St Edmunds, IP28 6TS
 01284 780421 info@whitworth.co.uk www.whitworth.co.uk

NOTE:
 Do not scale from this drawing. Confirm all dimensions on site. Refer any discrepancies to the Architect before work is put in hand. Read this drawing in conjunction with the relevant sections of the specification, schedule of works and other drawings.

This drawing is copyright of whitworth.