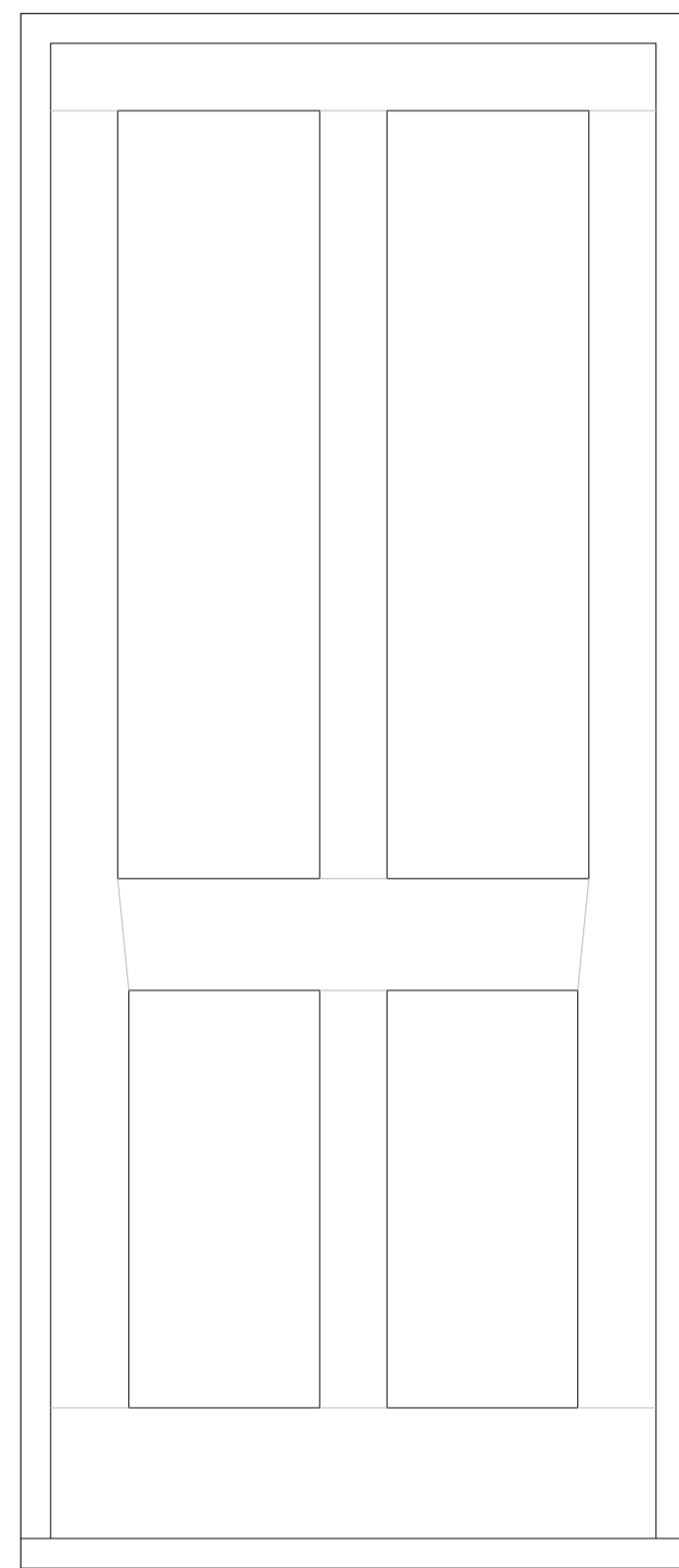
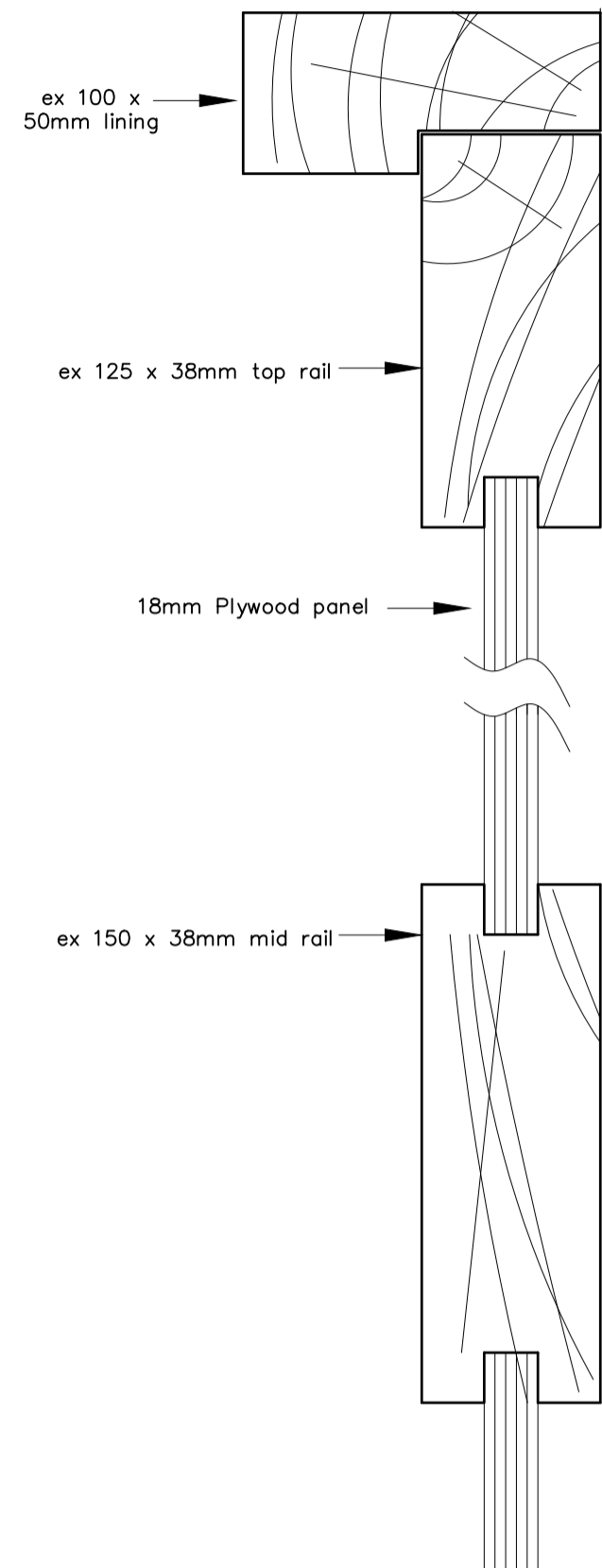


horizontal section  
1:2

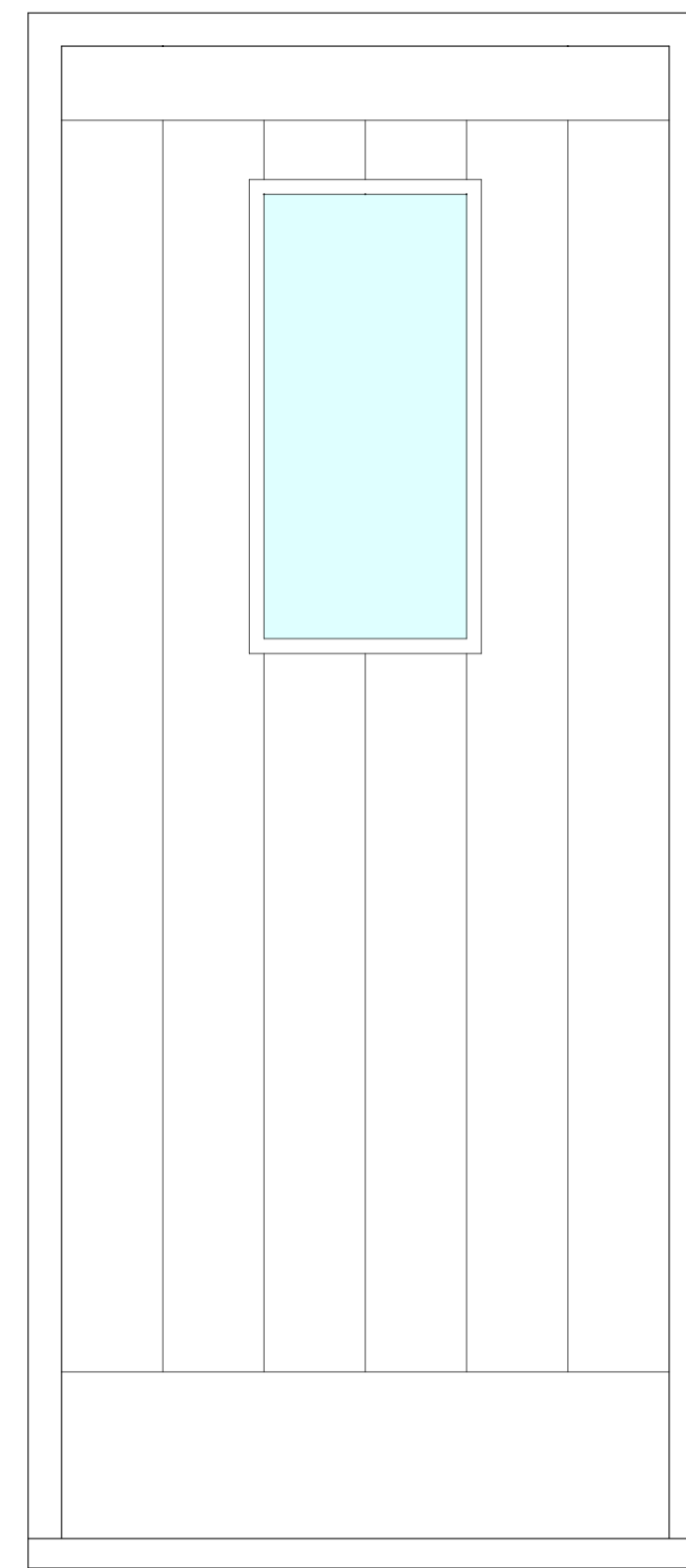


Utility room doors  
1:10



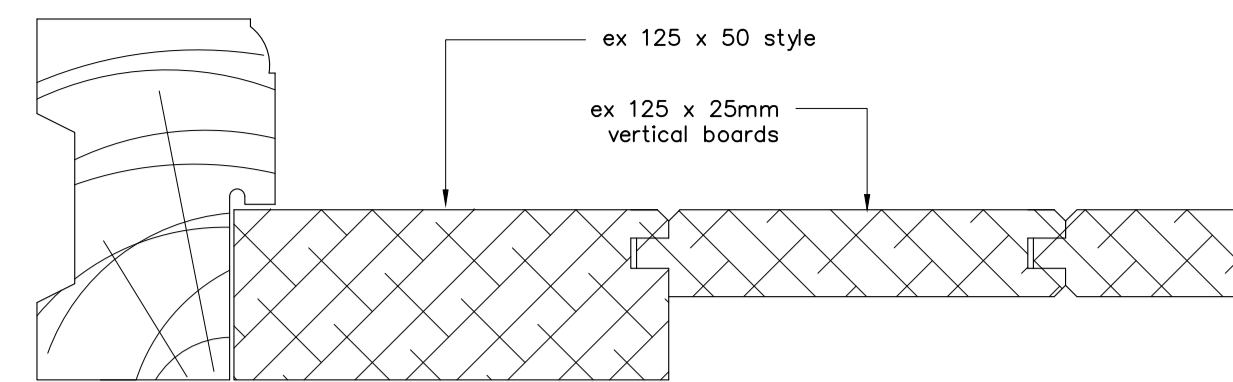
vertical section  
1:2

Utility and cloakroom doors

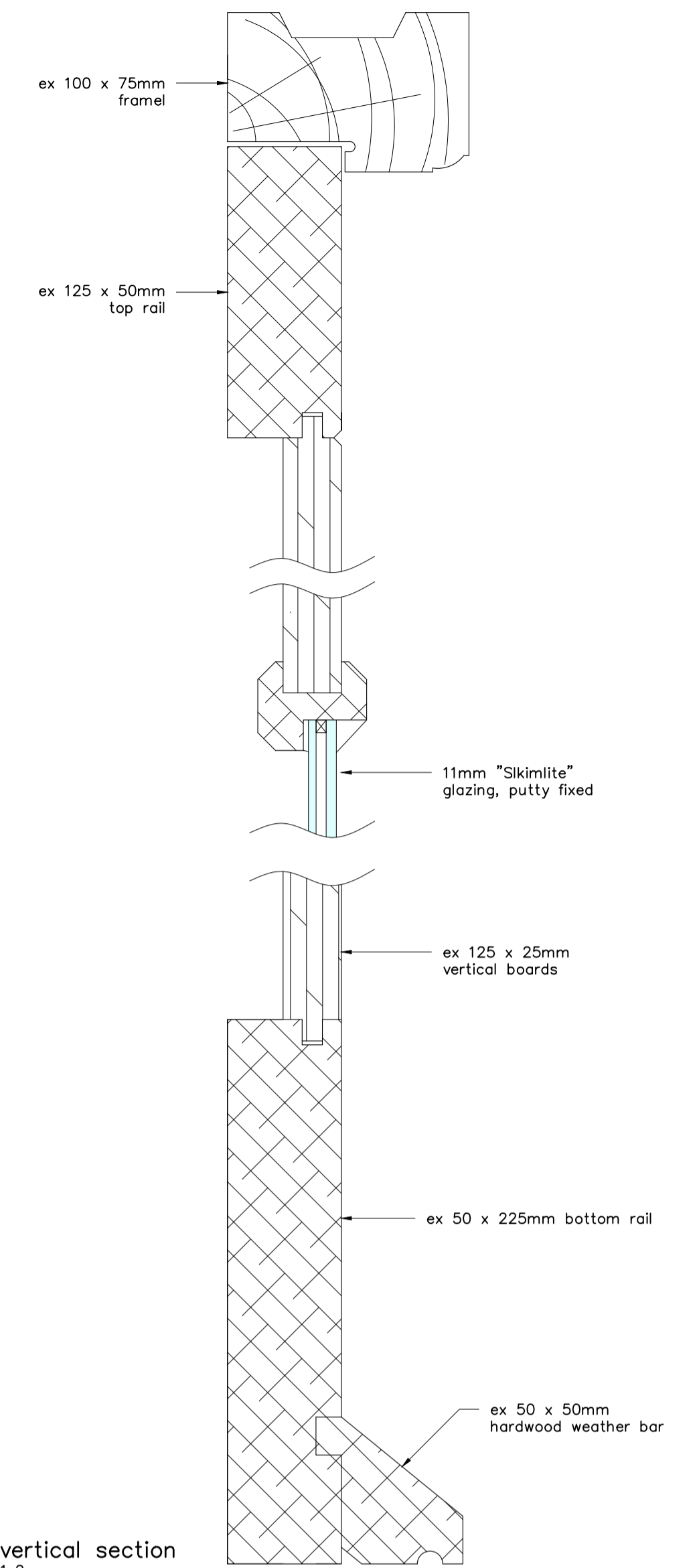


Boot room and front doors  
1:10

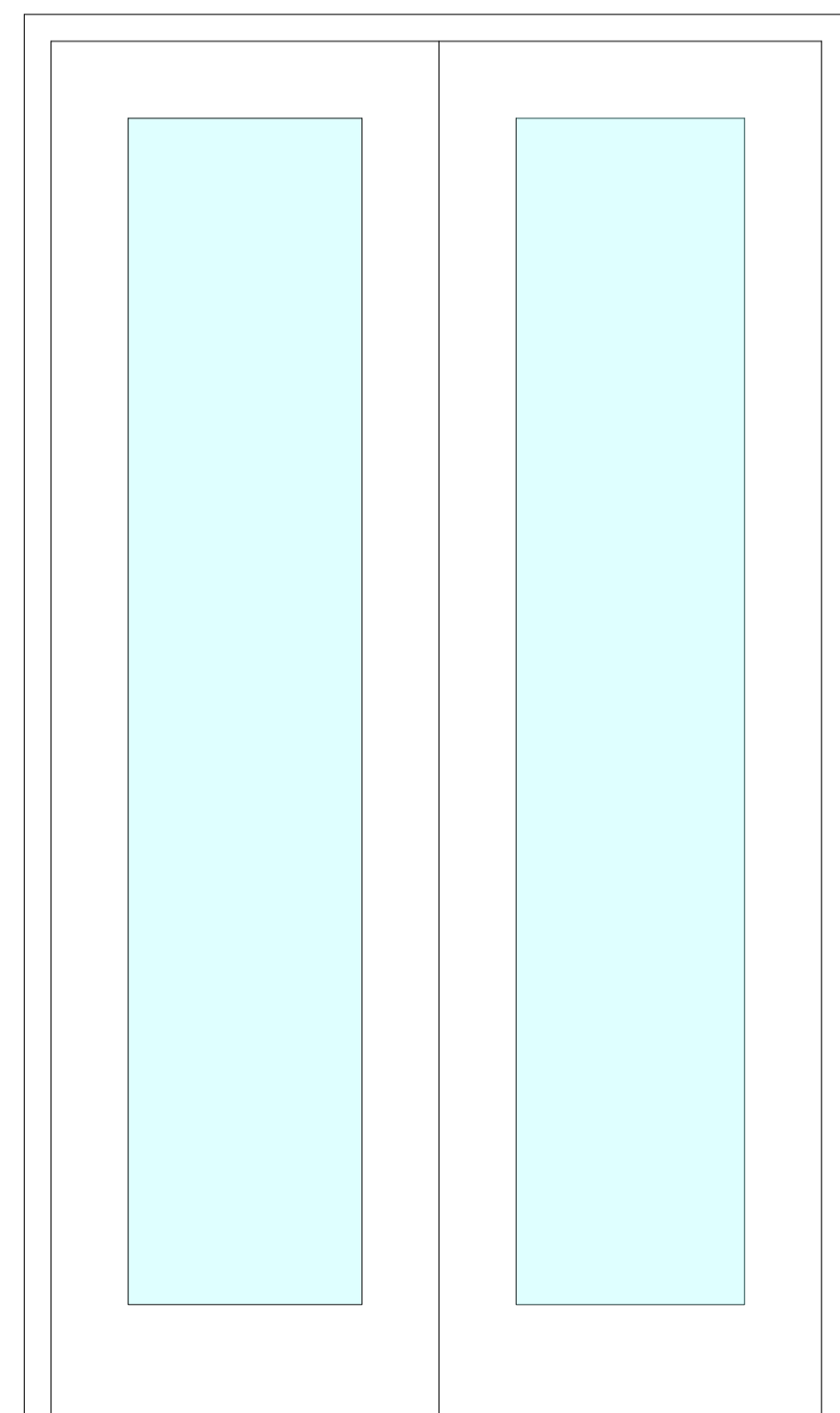
Boot room and front doors



horizontal section  
1:2

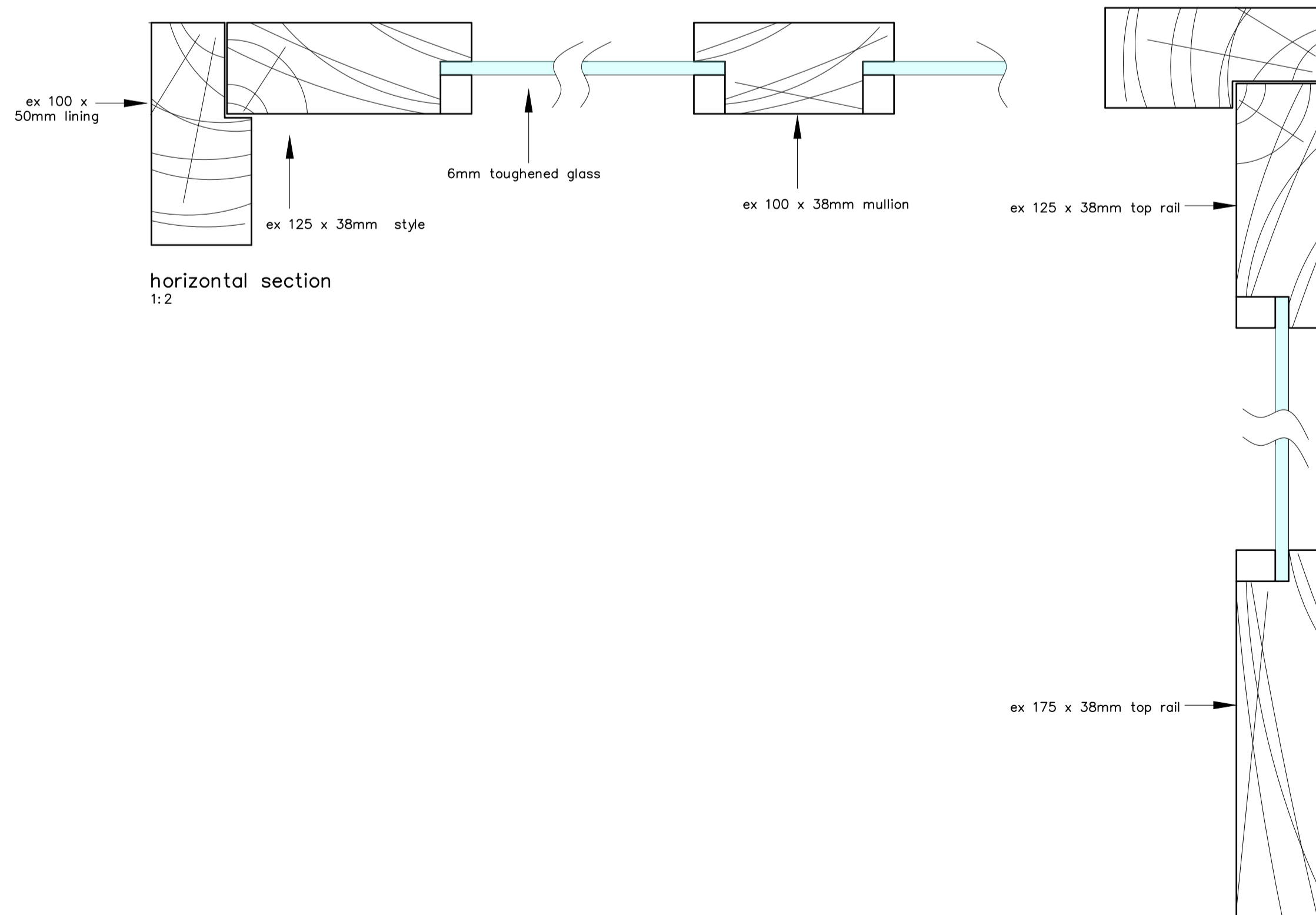


vertical section  
1:2



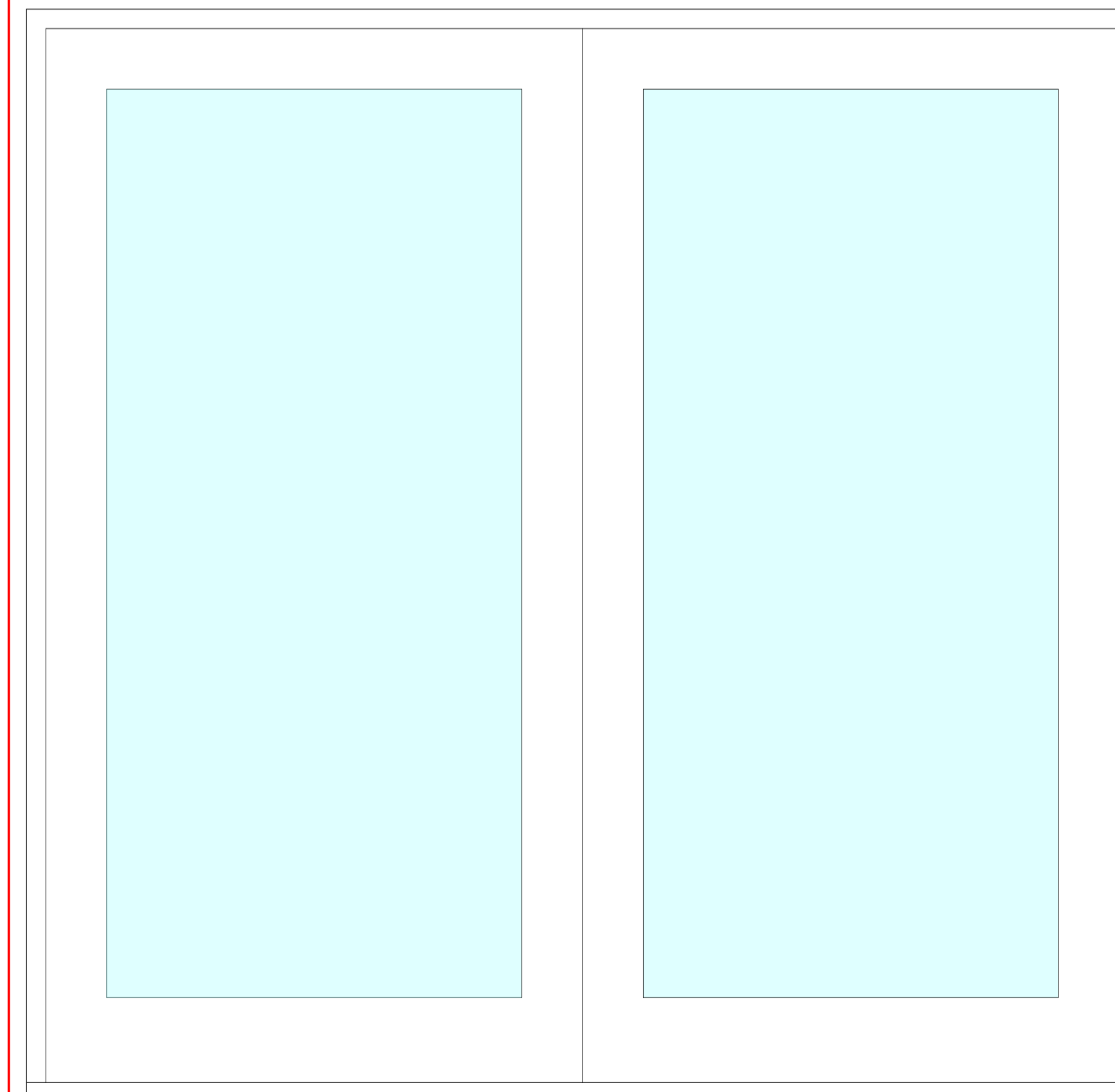
garden room internal doors  
1:10

Garden room internal doors

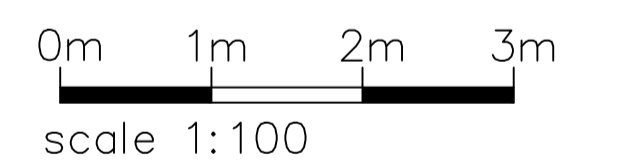


horizontal section  
1:2

vertical section  
1:2



Cart Shed doors  
1:10



revision	description	date

Client:  
**Mr M Dunn & Ms G Turpie**

Job Title:  
**Cousens Farm**

Drawing Title:  
**Door details**

Scale: 1:10 1:2 @ A1 MS Jan 2023

Job Number: **6842** Drawing Number: **12.0** Status: **Planning**

**whitworth**  
Chartered Architects & Chartered Building Surveyors  
Unit 12 Park Farm, Fornham St Genevieve, Bury St Edmunds, IP28 6TS  
01284 780421 info@whitworth.co.uk www.whitworth.co.uk

NOTE:  
Do not scale from this drawing. Confirm all dimensions on site. Refer any discrepancies to the Architect before work is put in hand. Read this drawing in conjunction with the relevant sections of the specification, schedule of works and other drawings.

This drawing is copyright of whitworth.