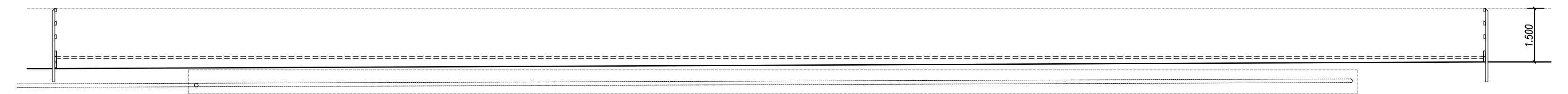
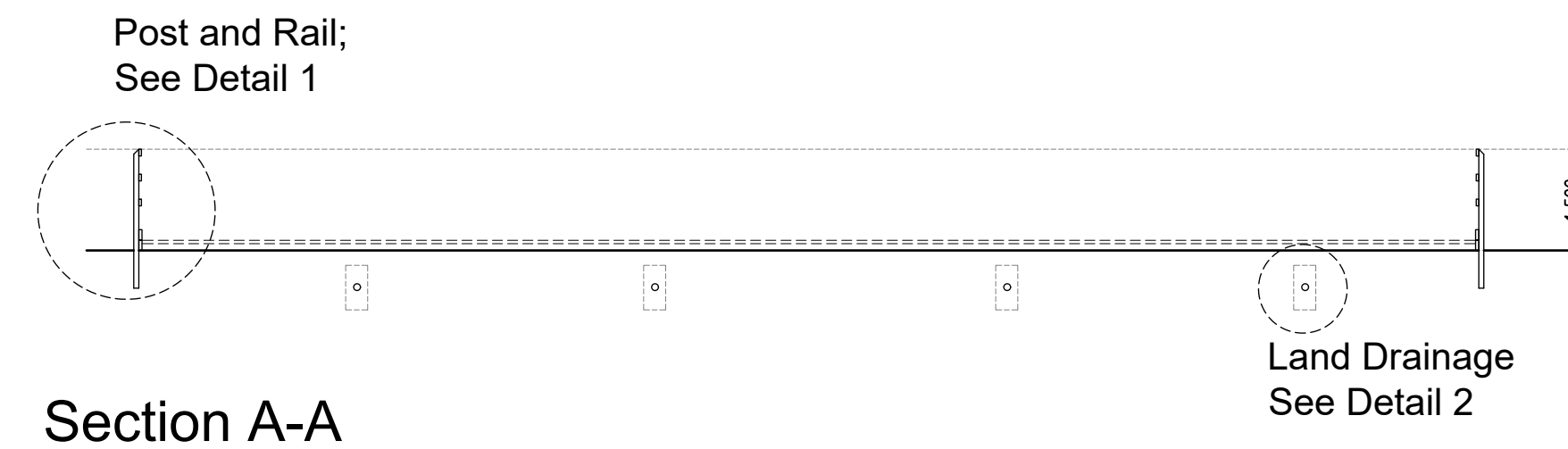
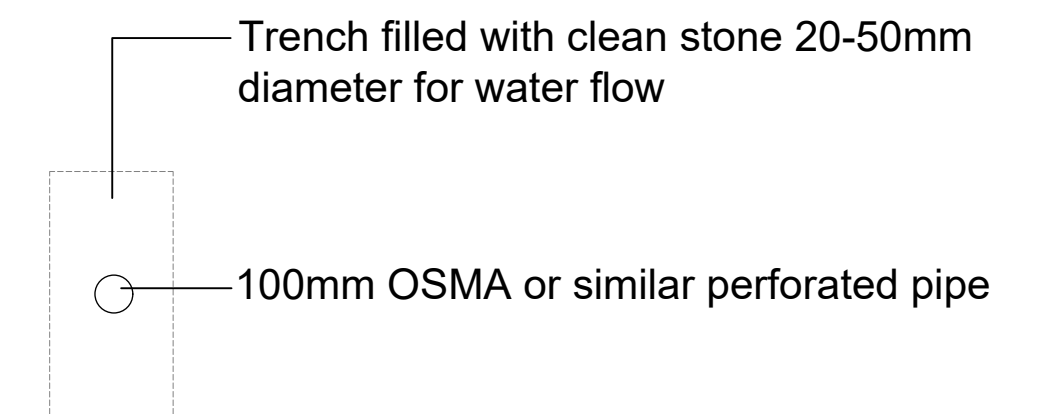
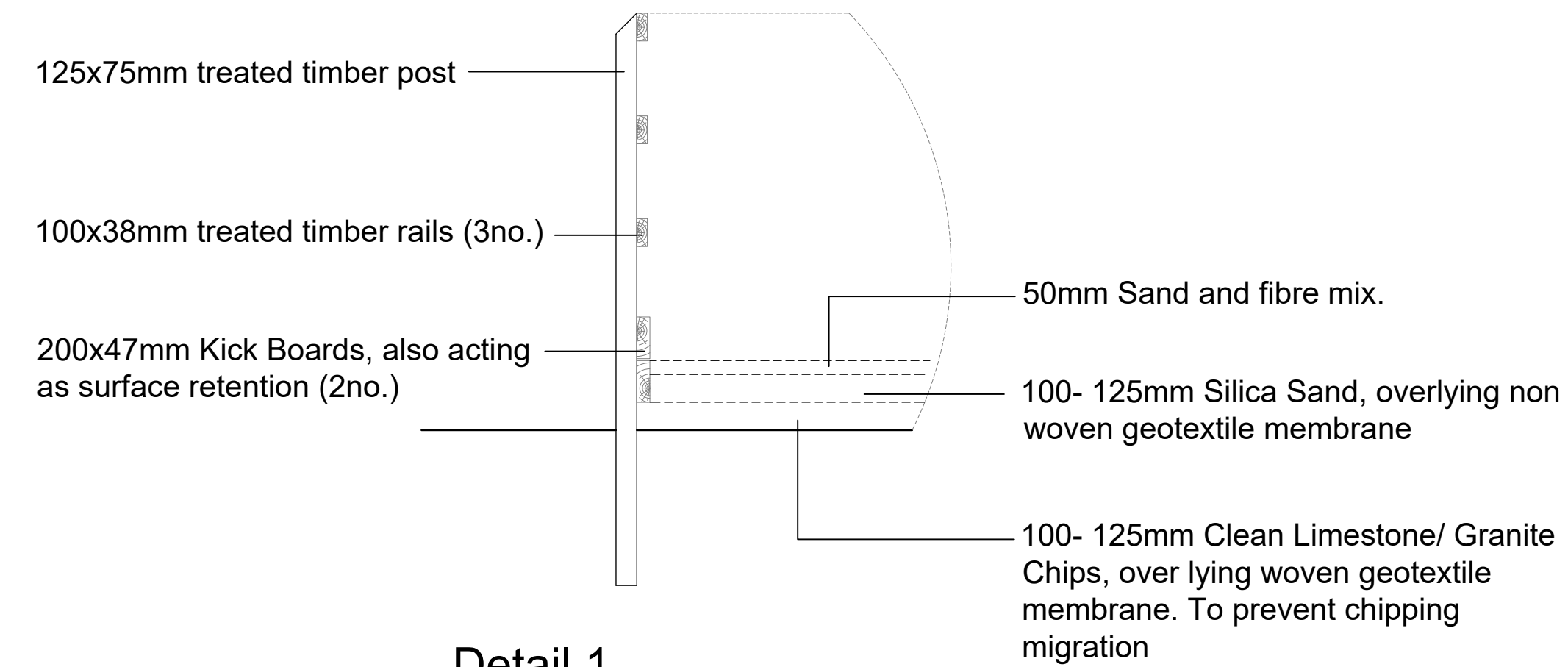


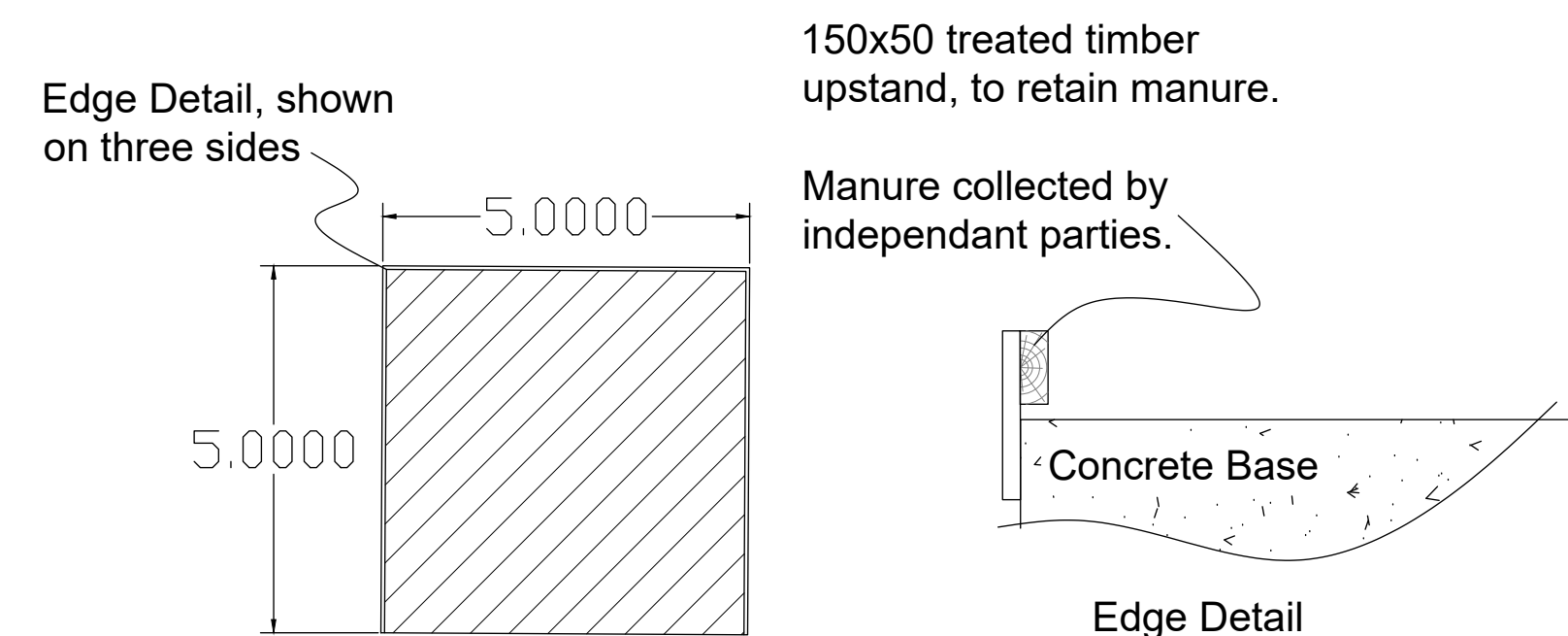
Menage (Arena) Plan



Section B-B



Size and depth of drainage channel to be dependant on Soil Conditions present.



A. Amend scale to be 1:100 as per LPA's request 15th May 2023

No.	Revision	Date
Conditions of acceptance of this drawing are that it is not copied or disclosed to a third party without written permission © 2008.		
Site	Land adjacent to Peartree Wood, Vicarage Road, Wyddial, SG9 0EL	
Project	Application of Change of use from Agricultural to equestrian use, including paddock & grazing, 5 No. Stables with hay barn and tack room, muck clamp and a 20 x 40m domestic use equestrian arena Proposed Plans and Elevations	

TACK & TWEED

Web: www.tackandweed.co.uk
Email: tackandweedplanning@gmail.com
Phone: 01245268886

Job/ Drawing No.	0008/05	Drawn By	JPL	Rev	A
Scale	1:100 @ A1	Date	Feb 2023		

