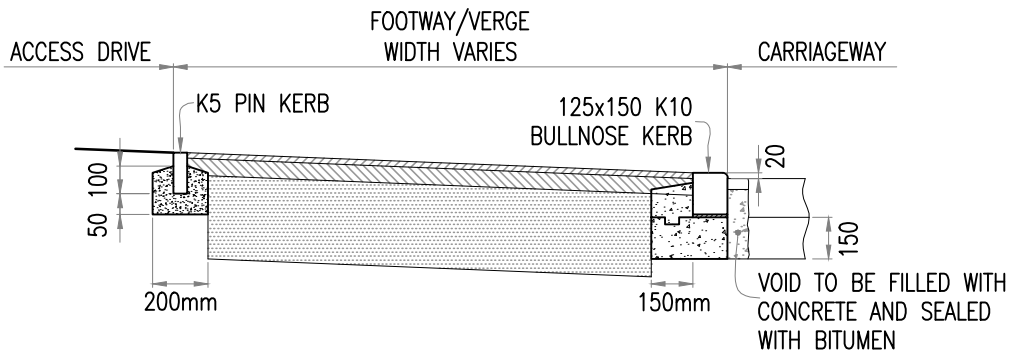


DROPPED KERB (TIE INTO EXISTING)      BULLNOSE KERBS      DROPPED KERB (TIE INTO EXISTING)

**PLAN**

Scale: 1/100

- 20mm AC6 DENSE SURF 100/150
- 60mm AC14 DENSE SURF 100/150
- 300mm TYPE 1 UNBOUND MIXTURE SUB-BASE.
- OR
- 200mm CONCRETE MIX ST5 (CRIMPED SURFACE)
- A193 REINFORCEMENT MESH
- SEPARATION MEMBRANE
- 200mm TYPE 1 UNBOUND MIXTURE SUB-BASE.
- KERB BACKING & FOUNDATION MIX ST4 CONCRETE.



**CONSTRUCTION DETAIL**

Scale: 1/25

All rights reserved. No part of this document may be reproduced in any material form (including photocopying or storing in any medium) without the written permission of Northumberland County Council except in accordance with the provisions of Copyright, Designs and Patents Act 1988. Unauthorised reproduction may lead to prosecution or civil proceedings.

Reproduced from/based upon the Ordnance Survey mapping with permission of the Controller of Her Majesty's Stationery Office. © Crown copyright. Unauthorised reproduction infringes Crown copyright and may lead to prosecution or civil proceedings.

NORTHUMBERLAND COUNTY COUNCIL - O.S. License No. 100049048 (2009)

REVISION:

BY

DATE

REV

TITLE

MEDIUM VEHICLE USE  
TYPE B  
GENERAL PURPOSE ACCESS

Drn: PF      Date: 05.02.14

Scale: AS SHOWN

Checked:      Passed:

Drng No: SD/002

**Northumberland**

Northumberland County Council

Highways & Neighbourhood Services