



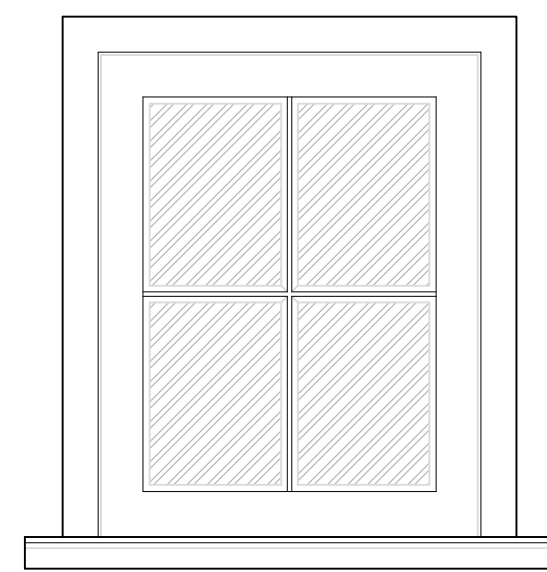
Location Plan
Scale: 1:1250

0 10m 20m 30m 40m 50m
5m 15m 25m 35m 45m

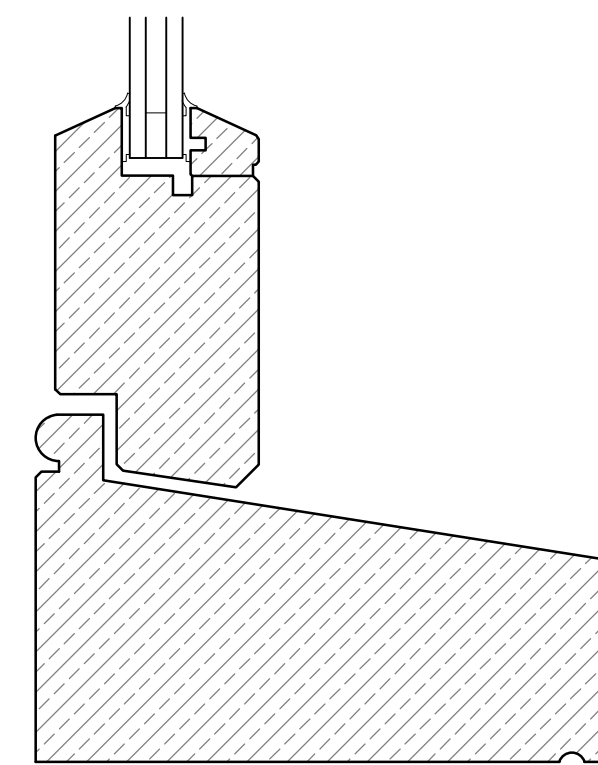
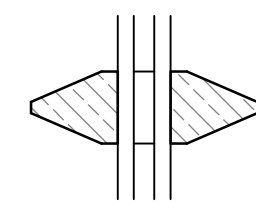
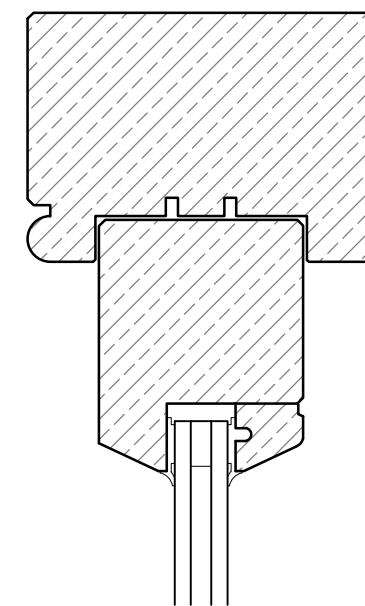


Site Plan
Scale: 1:200

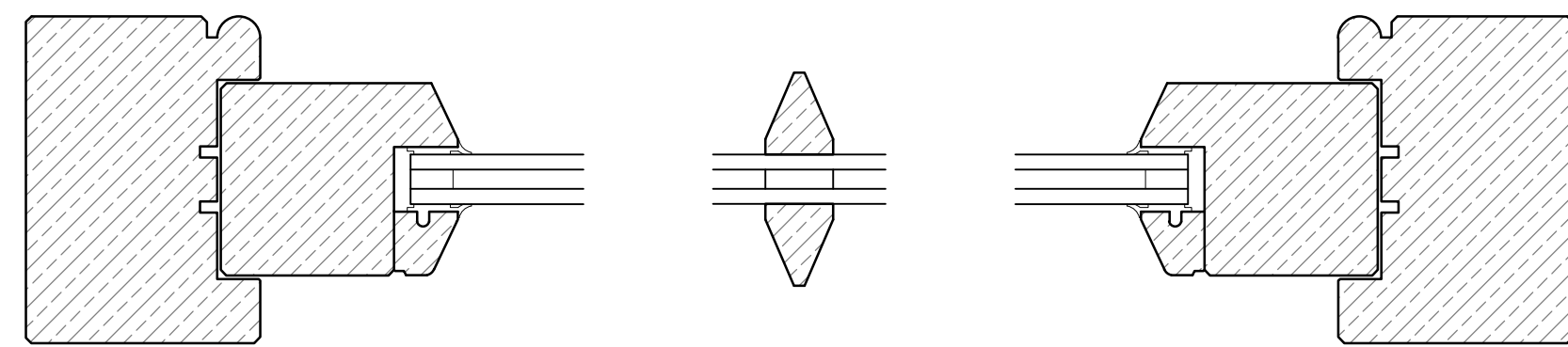
0 1m 2m 3m 4m 5m 10m



Proposed Window 5 Elevation
Scale: 1:10



Vertical Section
Scale: 1:2



Horizontal Section
Scale: 1:2

Rev A: 04.04.2023 - Site / Location Plans Added

Status:

Planning



Medusa Design Ltd
Architectural Designers

Eagle House, Sudbury Road, Great Whelmeham,
Bury St Edmunds, Suffolk, IP30 0UN

Tel: 01787 883339

E-Mail: info@medusadesign.co.uk
Web site: www.medusadesign.co.uk

Client:

Halcyon Property Trading Ltd
3 High Street, Earls Colne,
Essex, CO6 2PA

Project:

Proposed Replacement Windows and Doors

Drawing Details:

Proposed Window 5 Details,
Site Plan And Location Plan

Date:

Feb 2022

Scale/s:

As Shown @ A1

Drawn:

MJM

Number:

2043/23/05

Rev:

A