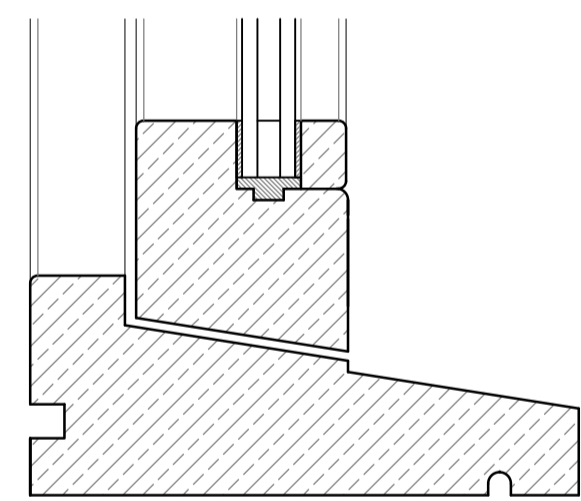
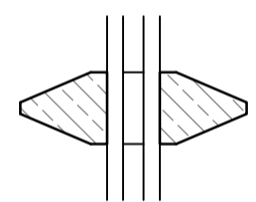
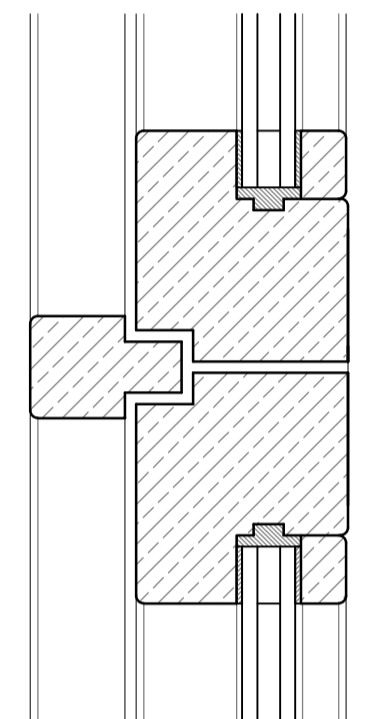
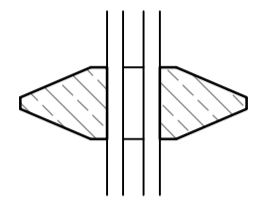
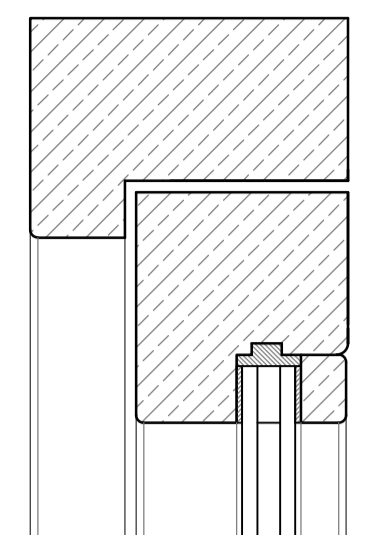
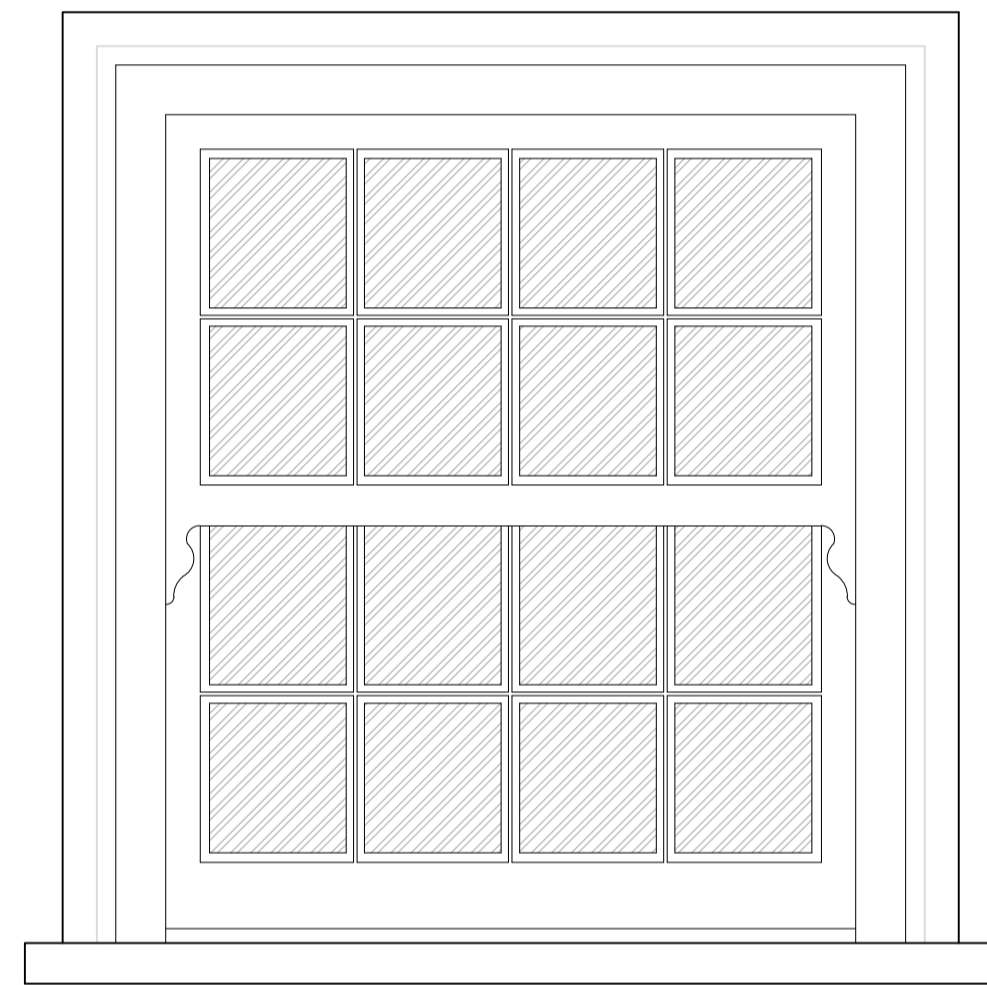


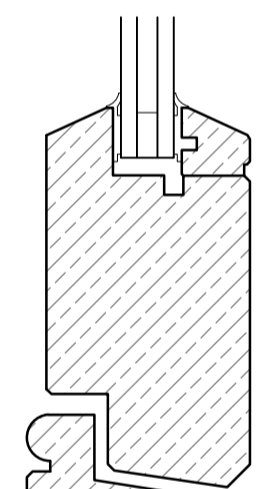
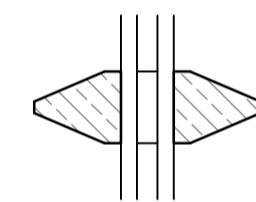
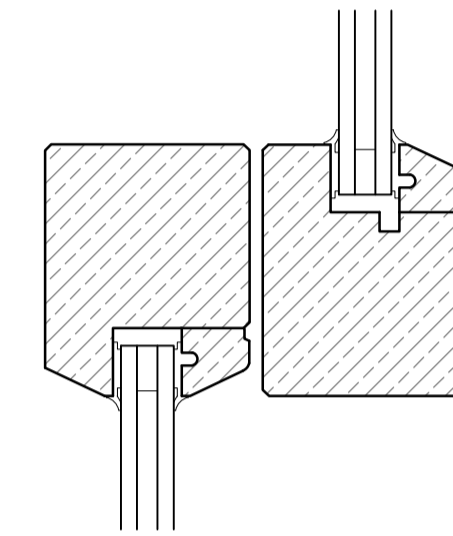
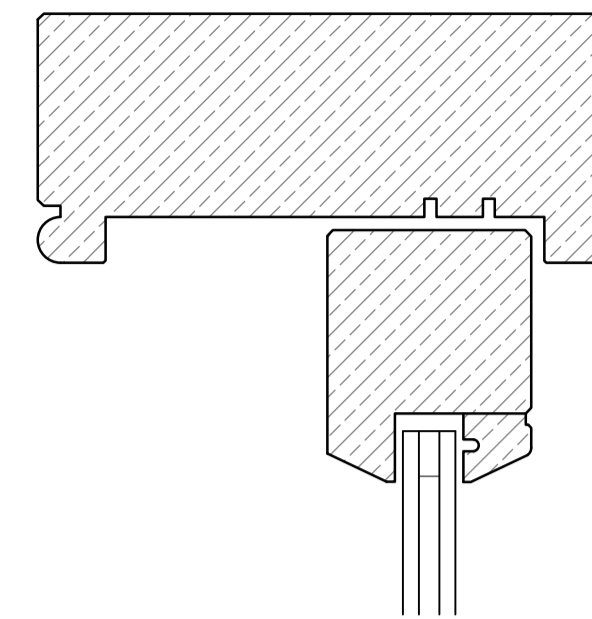
*Proposed Window 2 Elevation*  
Scale: 1:10



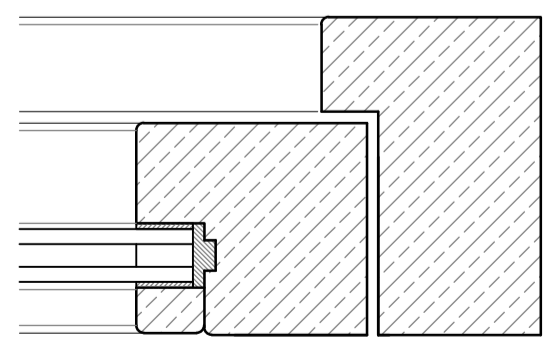
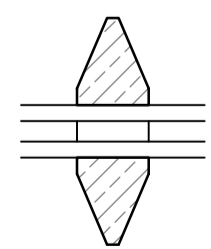
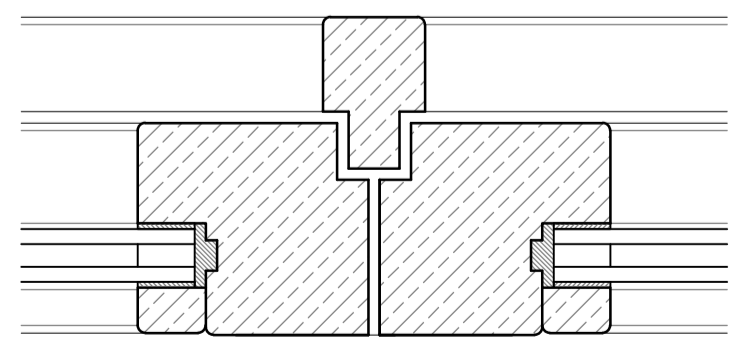
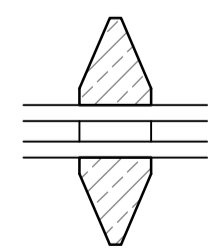
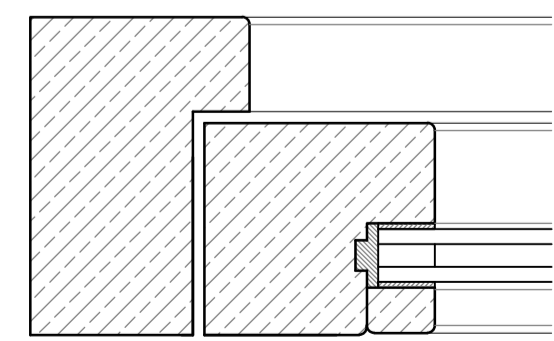
*Vertical Section*  
Scale: 1:2



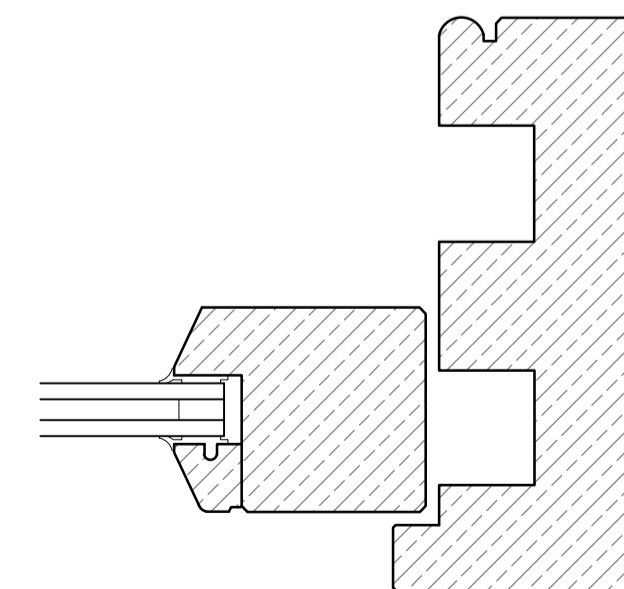
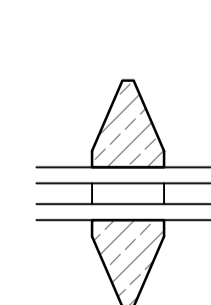
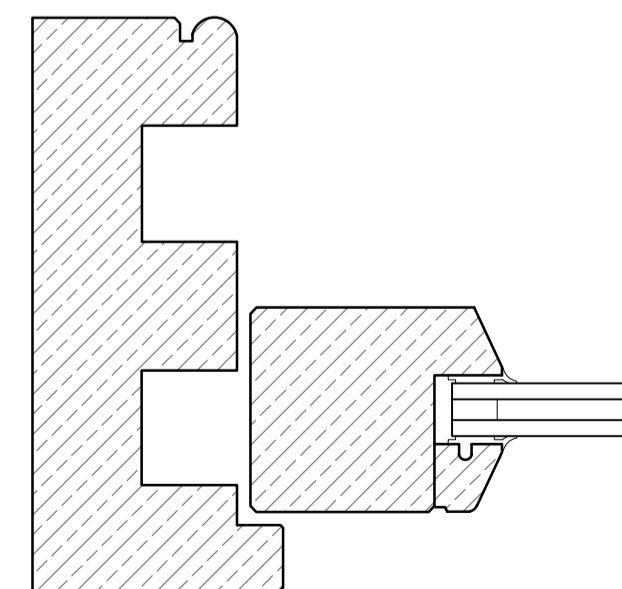
*Proposed Window 3 Elevation*  
Scale: 1:10



*Vertical Section*  
Scale: 1:2



*Horizontal Section*  
Scale: 1:2



*Horizontal Section*  
Scale: 1:2

Status: **Planning**



**Medusa Design Ltd**  
Architectural Designers  
Eagle House, Sudbury Road, Great Wheltenham,  
Bury St Edmunds, Suffolk, IP30 0UN  
Tel: 01787 883339  
E-Mail: info@medusadesign.co.uk  
Web site: www.medusadesign.co.uk

Client:  
Halcyon Property Trading Ltd  
3 High Street, Earls Colne,  
Essex, CO6 2PA

Project:  
Proposed Replacement Windows and Doors

Drawing Details:  
Proposed Windows 2 & 3 Details

Date:	Scale:	Drawn:
Feb 2022	As Shown @ A1	MJM
Number:	Rev:	
2043/23/03	---	