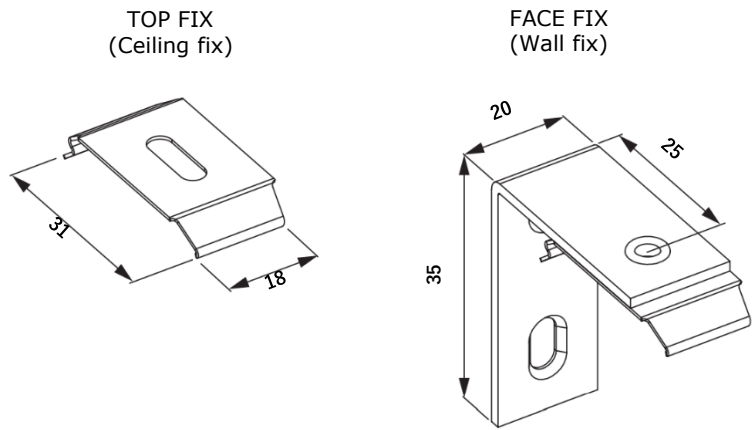


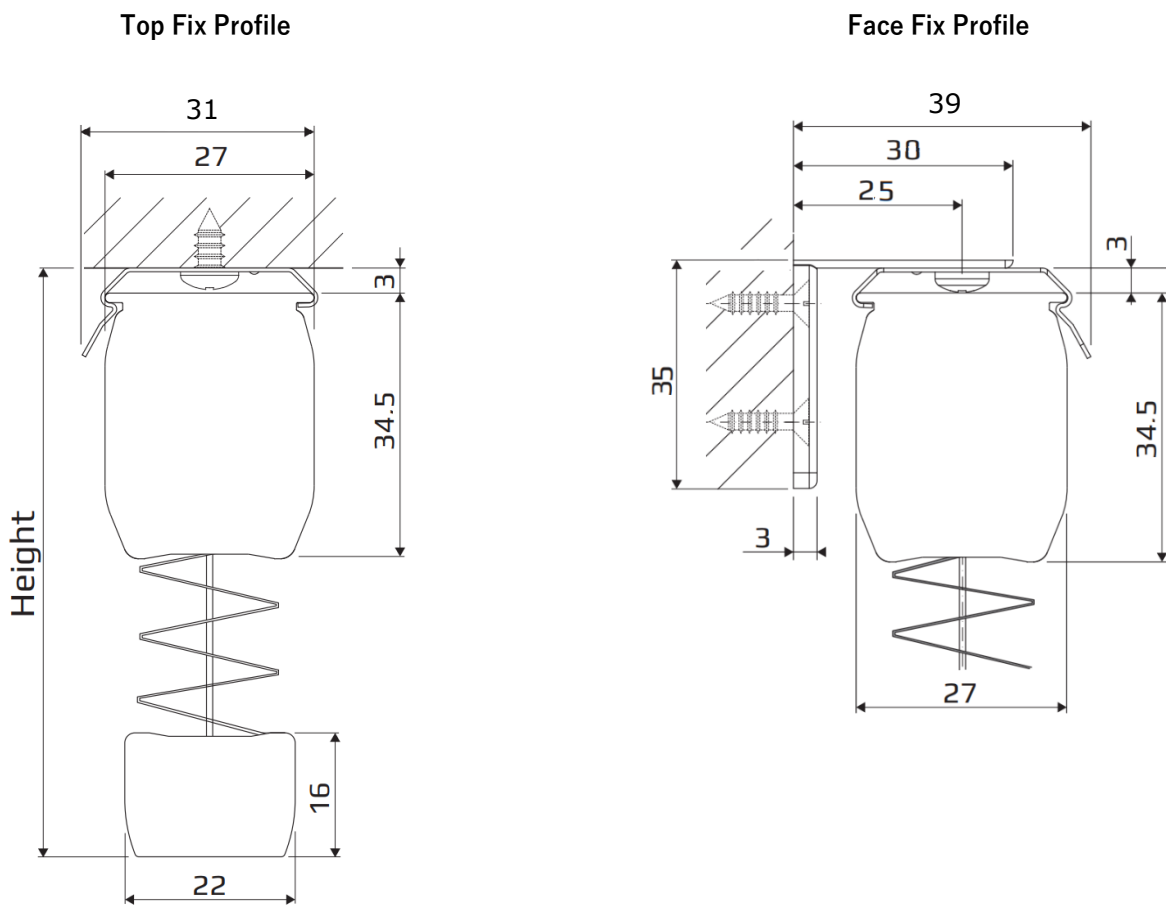
CELLULAR BLIND

DIMENSIONS (in mm)

Cellular Blind Brackets



Cellular Blind – Side View



- The projection of the headrail + fixing brackets when top fixing is 31mm
- The projection of the headrail + fixing brackets when face fixing is 39mm
- The cellular fabric is 25mm wide, which secures to the underside of the headrail profile
- The bottom section of the cellular fabric secures to the top side of the loadbar
- 1M of Cellular fabric compresses to a height of approximately 20-25mm (fabric dependent)
- E.G. - a 2M high blind fully raised will have a total system height of 93.5-103.5mm (headrail 37.5mm + compressed fabric 40-50mm + bottom bar 16mm)