

Monocrystalline Photovoltaic Module »



# MEPV 108 TOPCon BiF

BLACK - STANDARD »  
420/425/430/435 Wp

## QUALITY »



**N-type cell**  
Higher resistance to PID and LID



**TOPCon**  
Technology to increase cell efficiency



**Bifacial cell**  
Generates solar energy from both sides



**Double glass**  
Load endurance



**Long durability**  
80% at the 30th year



**Efficiency**  
430Wp - 435Wp

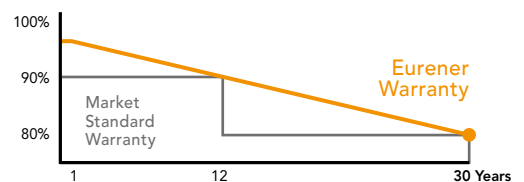


\*\*\* EUROPEAN QUALITY \*\*\*

## WARRANTIES »

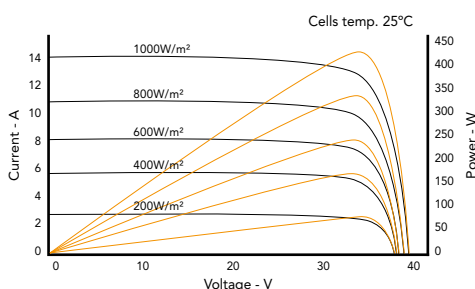
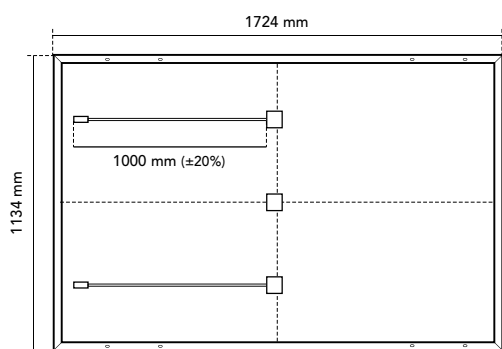
**25** YEARS PRODUCT WARRANTY

**30** YEARS PERFORMANCE WARRANTY  
Linear Warranty



## CERTIFICATES »





### FRAME

Black / Silver anodized aluminium

Robust and resistant to corrosion

### GLASS

Back Glass | 2 mm Solar glass

Front Glass | 2 mm Anti-reflective surface Solar glass

### JUNCTION BOX

Sealed, robust and wide for heat dissipation

IP67/IP68 according to IEC 60529

Diodes by-pass built-in 3

Connector MC4 compatible

Cables 1000 mm (±20%) length and 4 mm<sup>2</sup> section

### FRONTAL

Textured, extra-clear with low iron content

Frontal load (snow) 5400 Pa | Back load (wind) 2400 Pa

### SOLAR CELLS

108 [2x (9x6)] N-type bifacial monocrystalline silicon cells

### WEIGHT, DIMENSIONS AND PACKAGING

22 Kg | 1724 x 1134 x 30/35 mm (±1%) | Pack: 962 pcs-truck

## ELECTRIC DATA »

| BLACK - STANDARD   | MEPV 420            | MEPV 425  | MEPV 430 | MEPV 435 |          |          |
|--|---------------------|---|----------|----------|----------|----------|
| <b>STC: 1000 W/m<sup>2</sup>, module temperature 25°C, AM 1,5</b>  |                     |   |          |          |          |          |
| Nominal power. Pmax  | 420 Wp              | 425 Wp  | 430 Wp   | 435 Wp   |          |          |
| Max. power tolerance. Pmax   | 0 / +3 W            | 0 / +3 W  | 0 / +3 W | 0 / +3 W |          |          |
| Area of the module   | 1,95 m <sup>2</sup> |   |          |          |          |          |
| Module efficiency  | 21,48 %             | 21,74 %   | 22,00 %  | 22,26 %  |          |          |
| Isc  | 14,08 A             | 14,16 A   | 14,26 A  | 14,30 A  |          |          |
| Voc  | 38,09 V             | 38,28 V   | 38,42 V  | 38,70 V  |          |          |
| Imp  | 13,34 A             | 13,42 A   | 13,52 A  | 13,56 A  |          |          |
| Vmp  | 31,49 V             | 31,68 V   | 31,82 V  | 32,09 V  |          |          |
| <b>NOCT: 800 W/m<sup>2</sup>, ambient temperature 20°C, AM 1,5</b> |                     |   |          |          |          |          |
| Nominal power. Pmax  | 321,59 W            | 325,49 W  | 329,30 W | 333,25 W |          |          |
| Isc  | 11,34 A             | 11,41 A   | 11,47 A  | 11,54 A  |          |          |
| Voc  | 36,52 V             | 36,70 V   | 36,88 V  | 37,06 V  |          |          |
| Imp  | 10,75 A             | 10,81 A   | 10,88 A  | 10,94 A  |          |          |
| Vmp  | 29,92 V             | 30,10 V   | 30,27 V  | 30,45 V  |          |          |
| <b>Operating parameters. Temperature coefficients</b>              |                     | <b>Electrical characteristics with 10% rear side power gain</b> |          |          |          |          |
| Maximum voltage  | 1000 - 1500 V       | Model   | MEPV 420 | MEPV 425 | MEPV 430 | MEPV 435 |
| Maximum series fuse rating. Ir                                     | 25 A                | Pmax  | 462,00 W | 467,50 W | 473,00 W | 478,50 W |
| α Isc  | 0,04 % / °C         | Isc   | 15,43 A  | 15,52 A  | 15,63 A  | 15,67 A  |
| β Voc  | - 0,22 % / °C       | Voc   | 38,09 V  | 38,31 V  | 38,49 V  | 38,85 V  |
| γ Pmax   | - 0,24 % / °C       | Imp   | 14,63 A  | 14,72 A  | 14,82 A  | 14,86 A  |
| Temperature range  | - 40°C ~ + 85 °C    | Vmp   | 31,58 V  | 31,76 V  | 31,91 V  | 32,21 V  |
| NOCT   | 44 ± 2 °C           |   |          |          |          |          |

NOTE: Read the instruction manual of this product and follow the indications STC. Values are valid for: 1000W/m<sup>2</sup>, AM 1,5 and cells temperature of 25°C. Measurement tolerance +/-3% (AAA Solar simulation -IEC 60.904-9-). All the information of this brochure may be amended without notice by Eurener. Eurener\_MEPV 108\_TOPCon Bif\_420-435Wp\_EN\_MAR2023