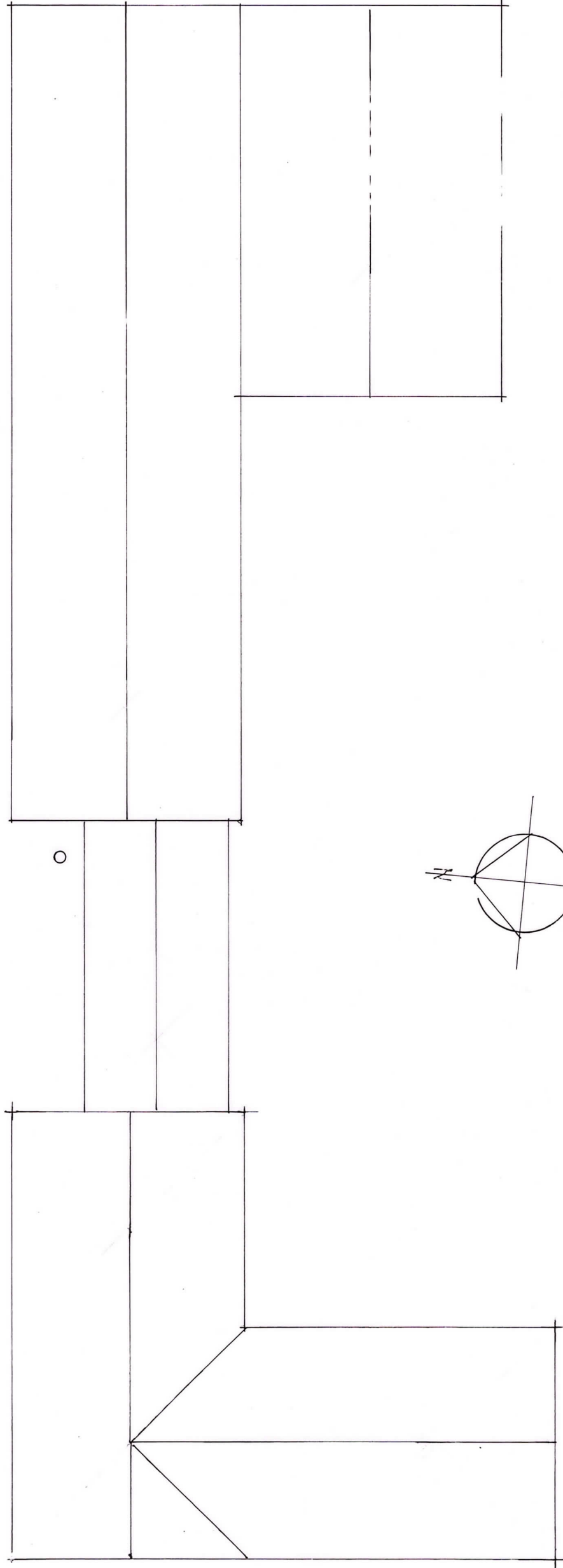


Proposed

existing



RJCA Chartered Architects
The White House, 2 Lavant Road
Chichester, West Sussex PO19 5RQ
Tel: 01243 779600
Mobile: 07973435493
Email: rjcatkinson@btinternet.com

Project Name: Saltham Barns, Runcton PO20 1PU

Drawing: Proposed work unit extension - roof plan

Drawing Number: 2021/30/07

Rev.